

DE

Montageanleitung

FR

Notice de montage

GB

Installation instructions



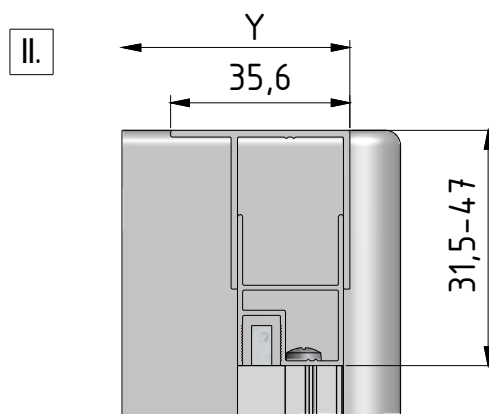
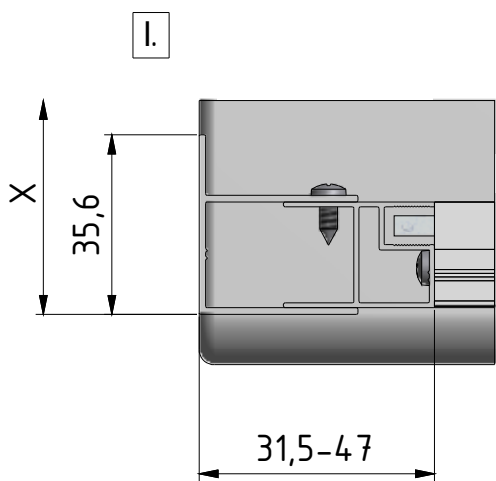
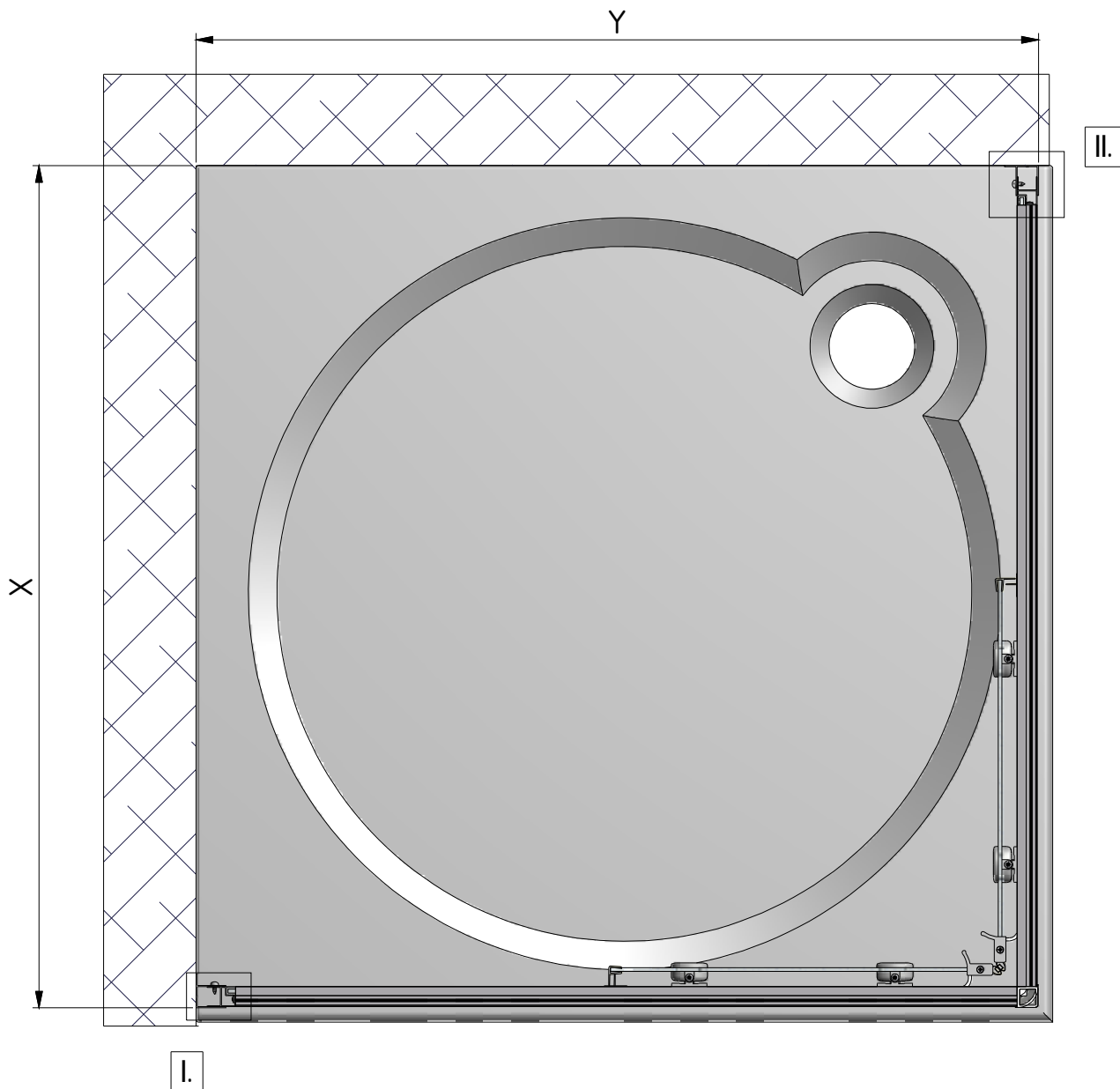
EQUI



EI PGN - 2016/01/21

Rev.:02

MA3208



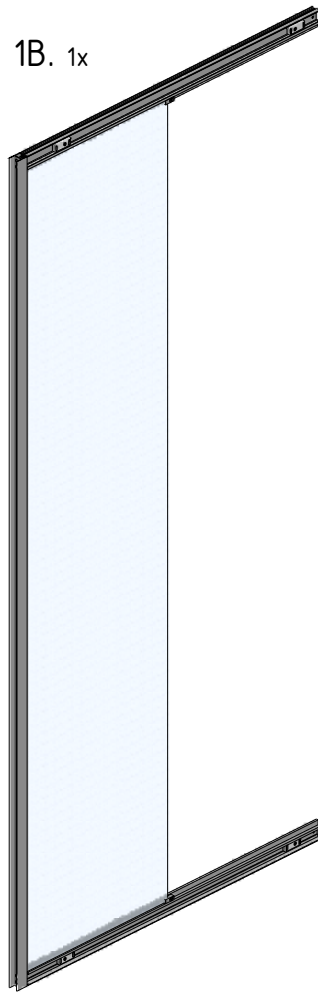
	X (MIN-MAX)	Y (MIN-MAX)
700x700	675-690	675-690
800x800	775-790	775-790
900x900	875-890	875-890

Accessoires avec Accès d'angle coulissant
Fittings with Corner entry

1A. 1x



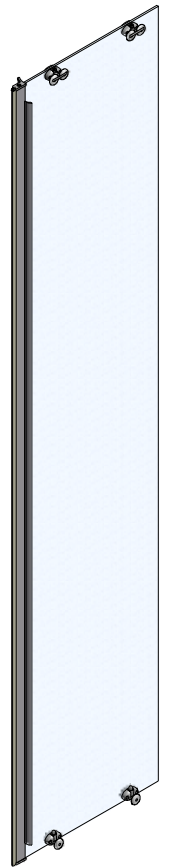
1B. 1x



2A. 1x



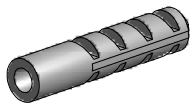
2B. 1x



3. 2x (P3082)

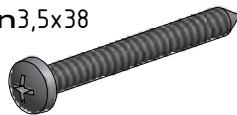


4. 6x (M0511)



5. 6x (M0795)

n3,5x38



6. 16x (MA0511)



12. 6x (M0806)

n3,5x9,5

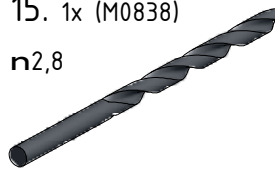


14. 2x (MA1923)

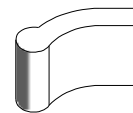


15. 1x (M0838)

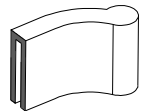
n2,8



18. 2x (M0664)



19. 2x (M0663)



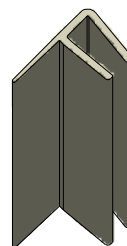
16. 4x (M4928)

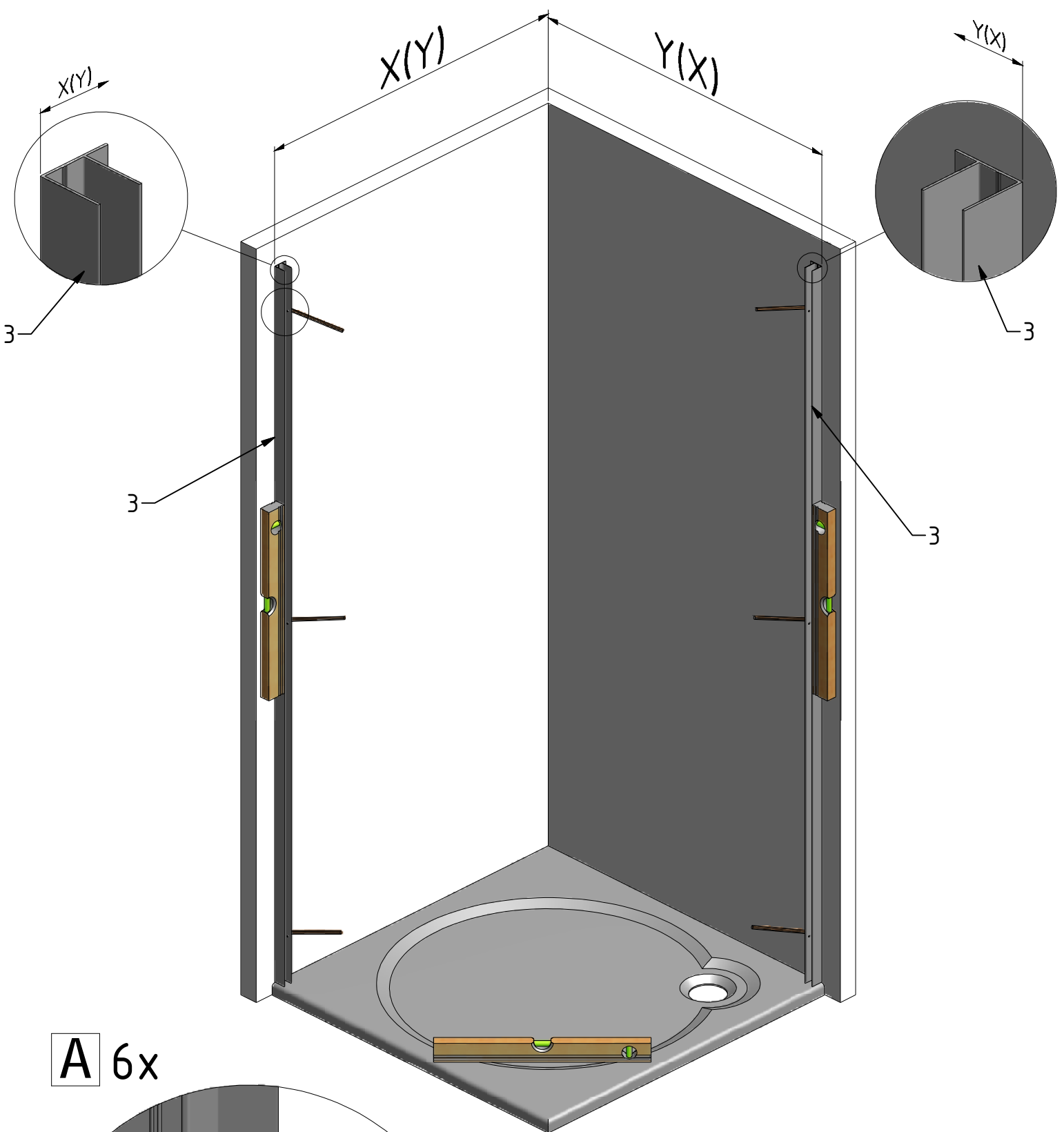
n3,5x6,5



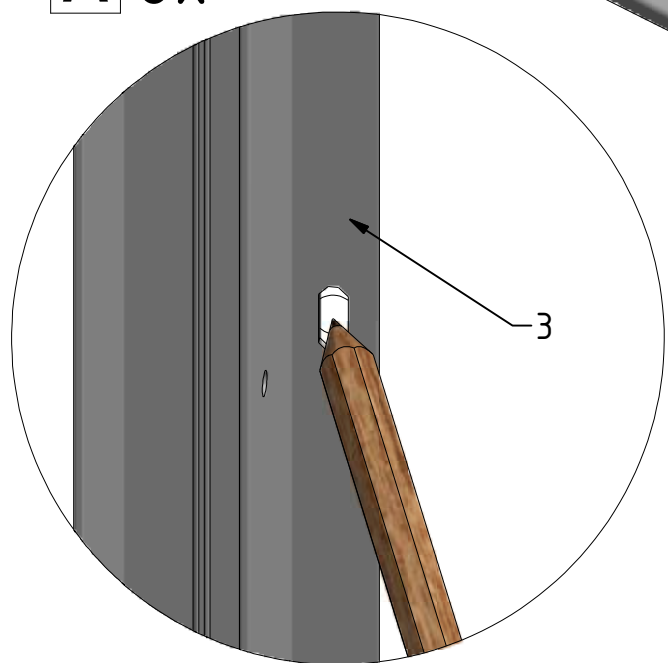
17. 2x+2x

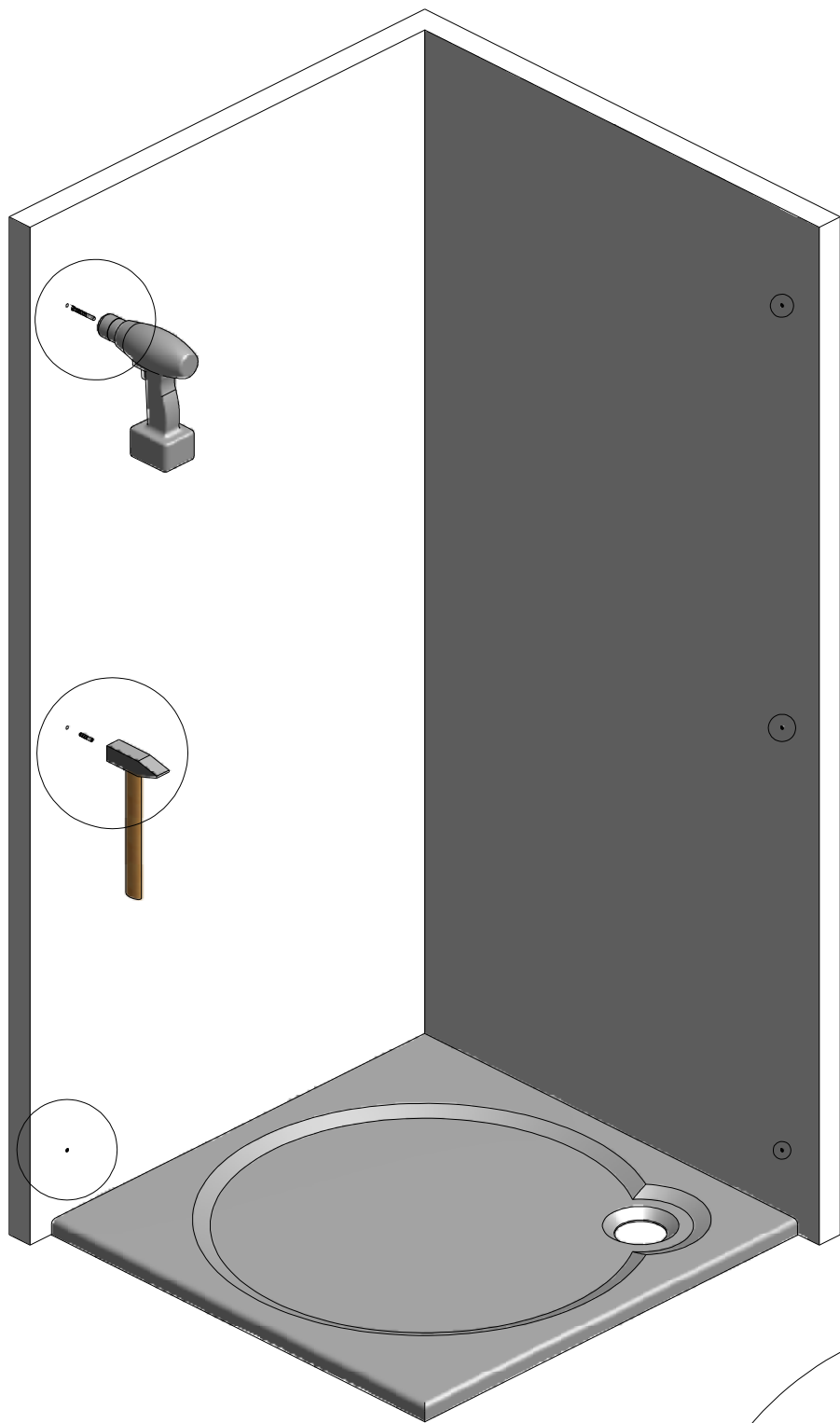
(P3200+P3201)



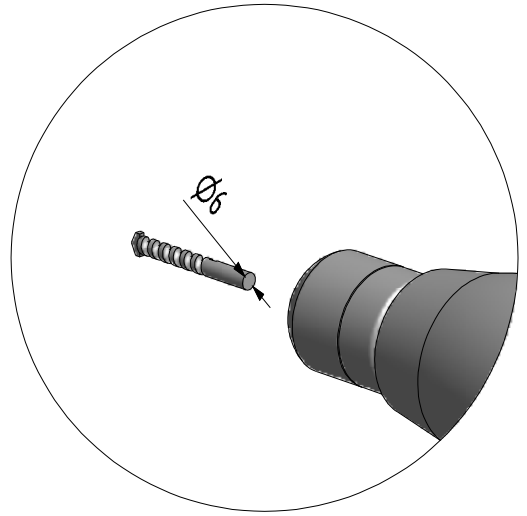


A 6x

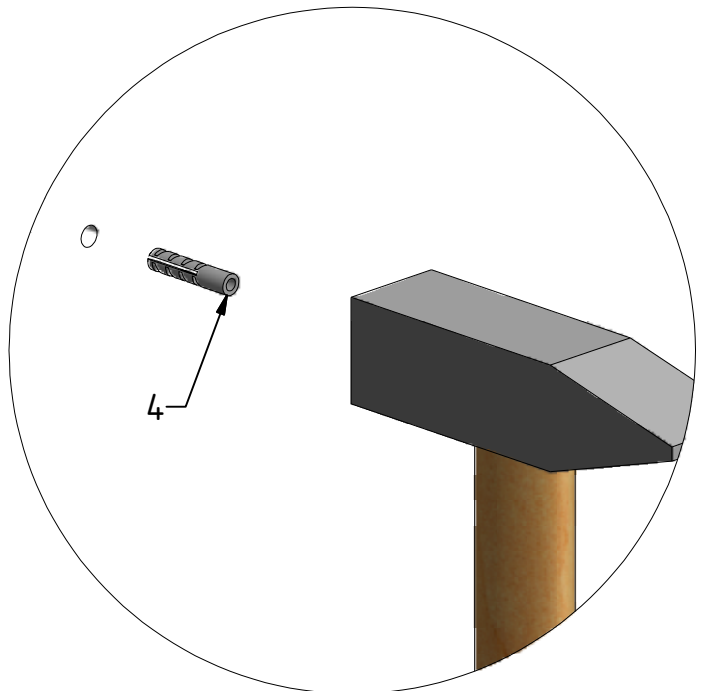




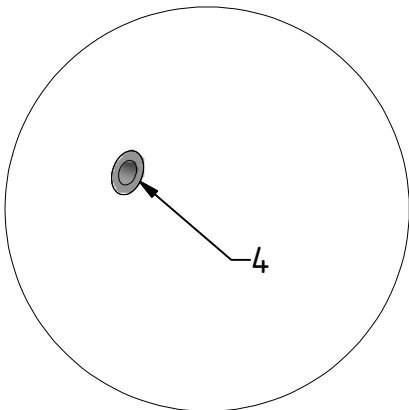
B 6x



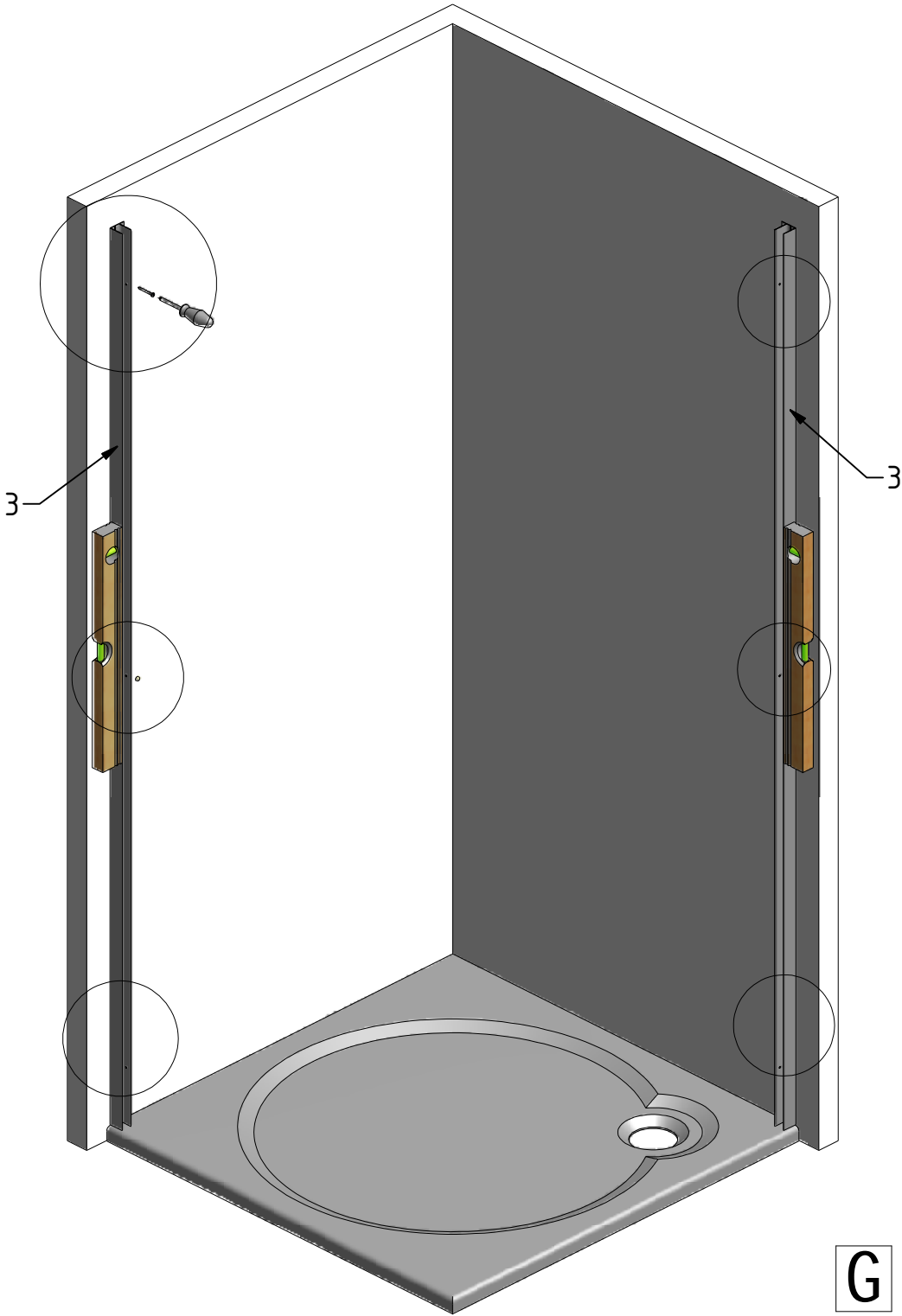
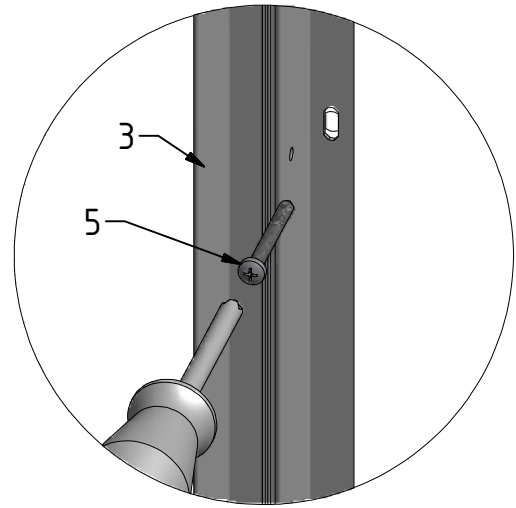
C 6x



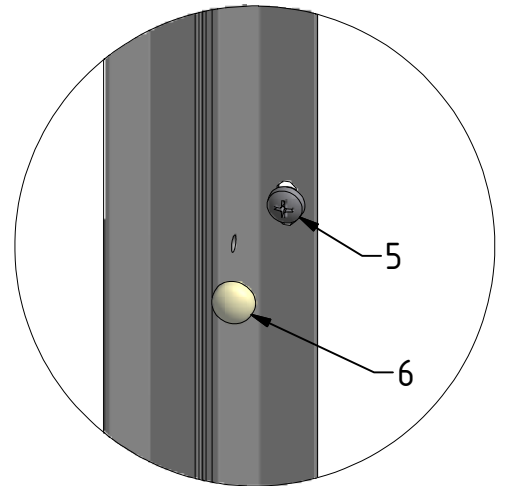
D 6x



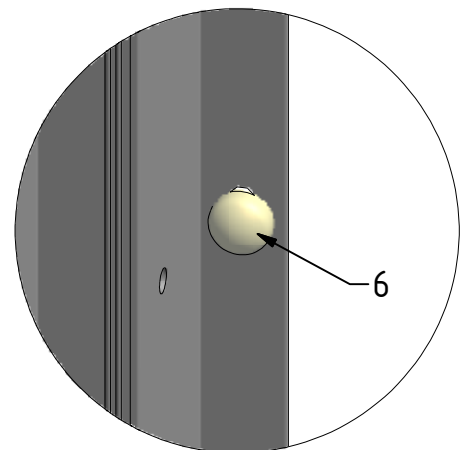
E 6x

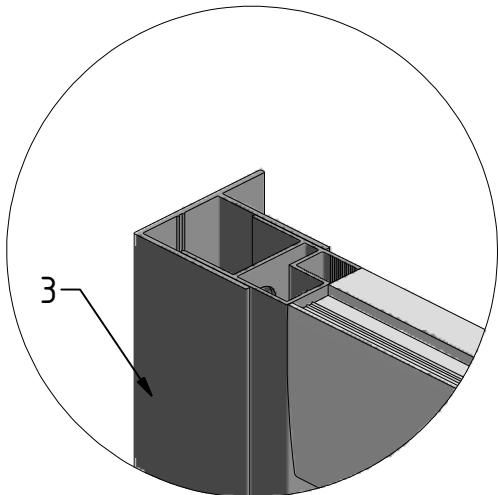
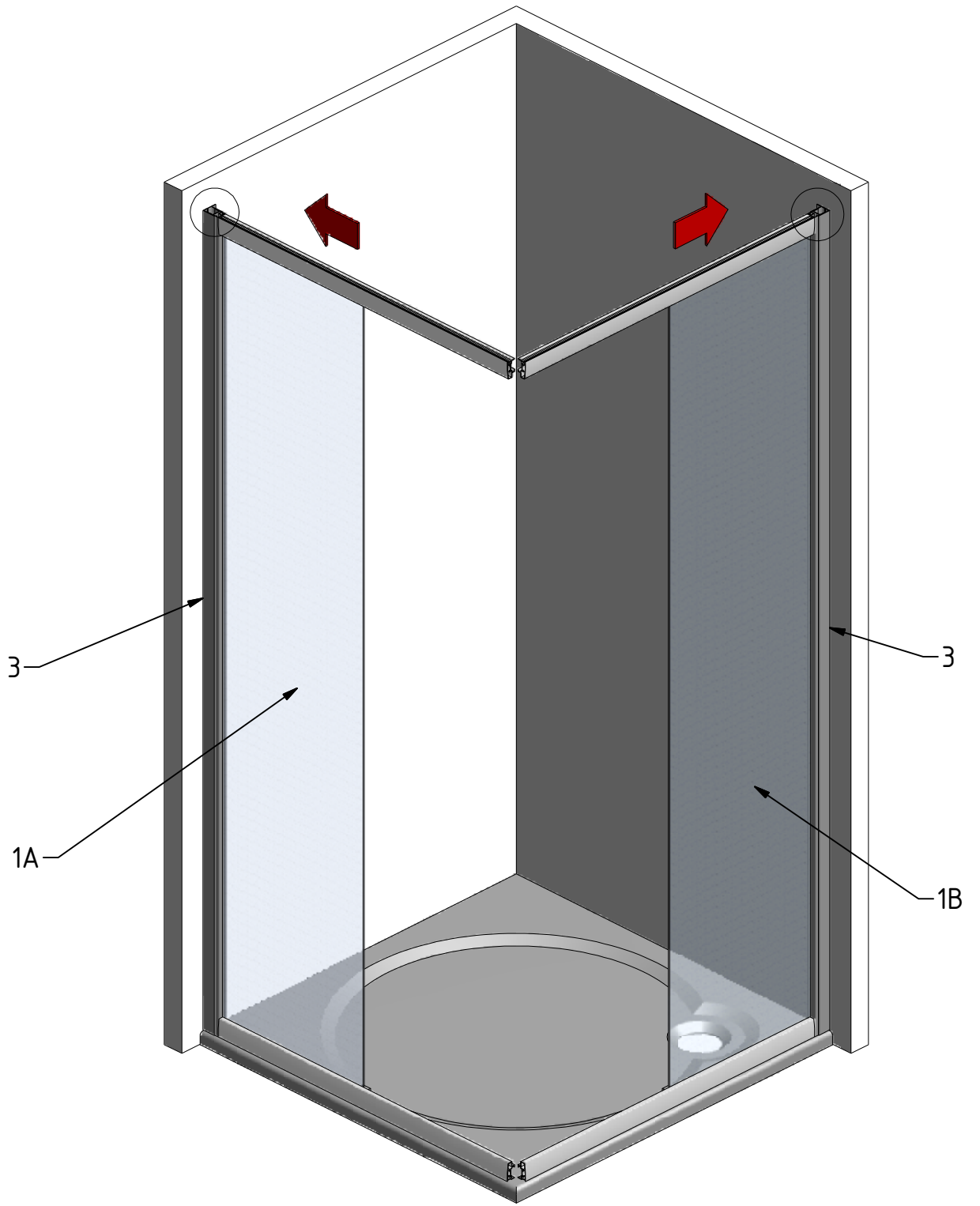


F 6x

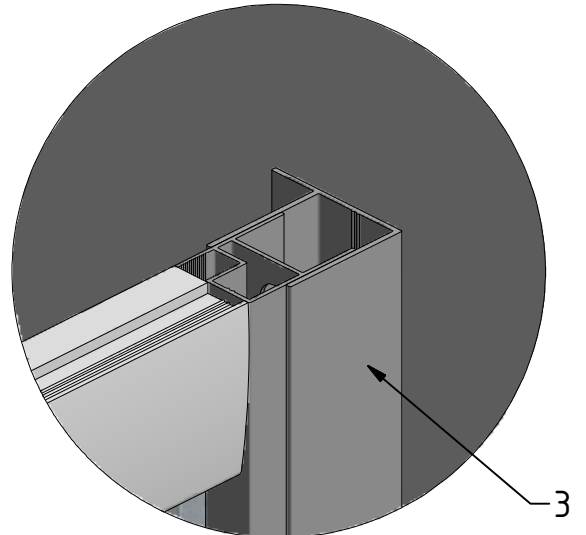


G 6x

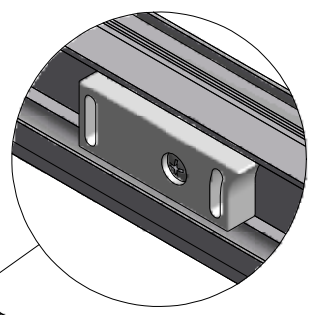
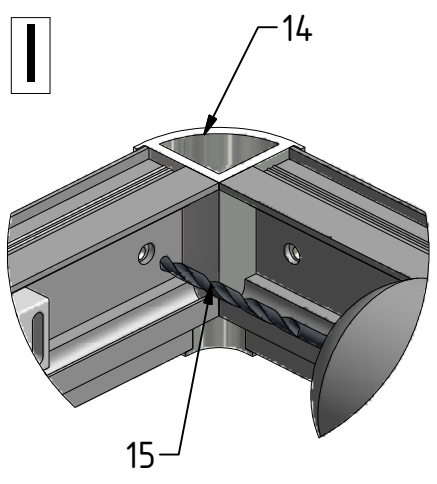




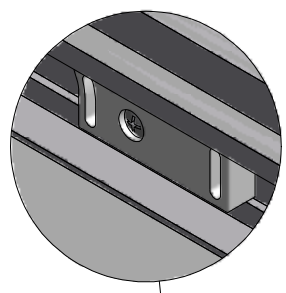
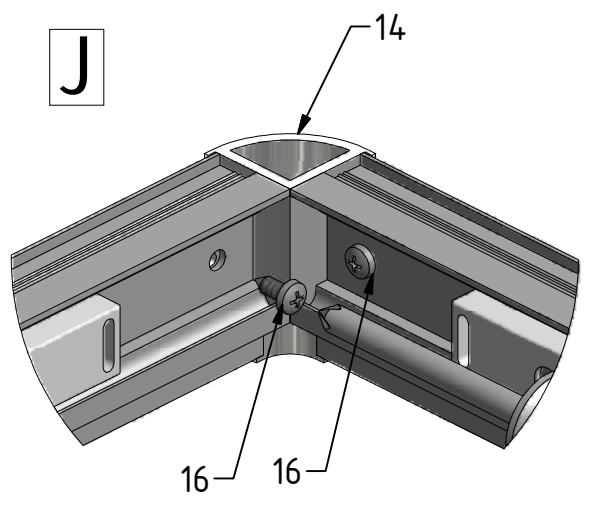
H



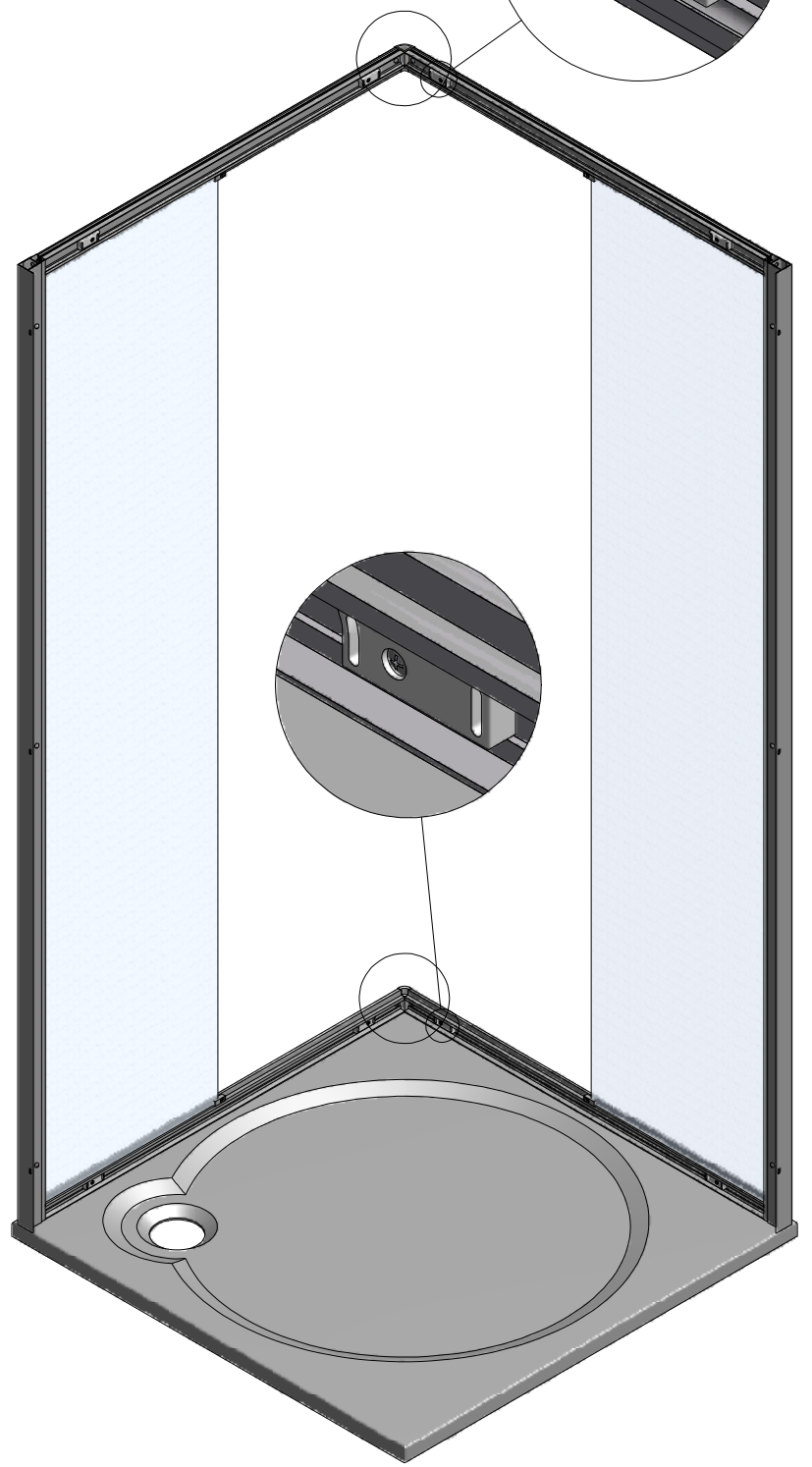
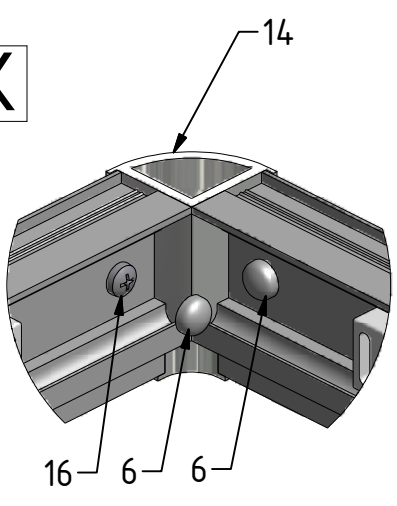
I

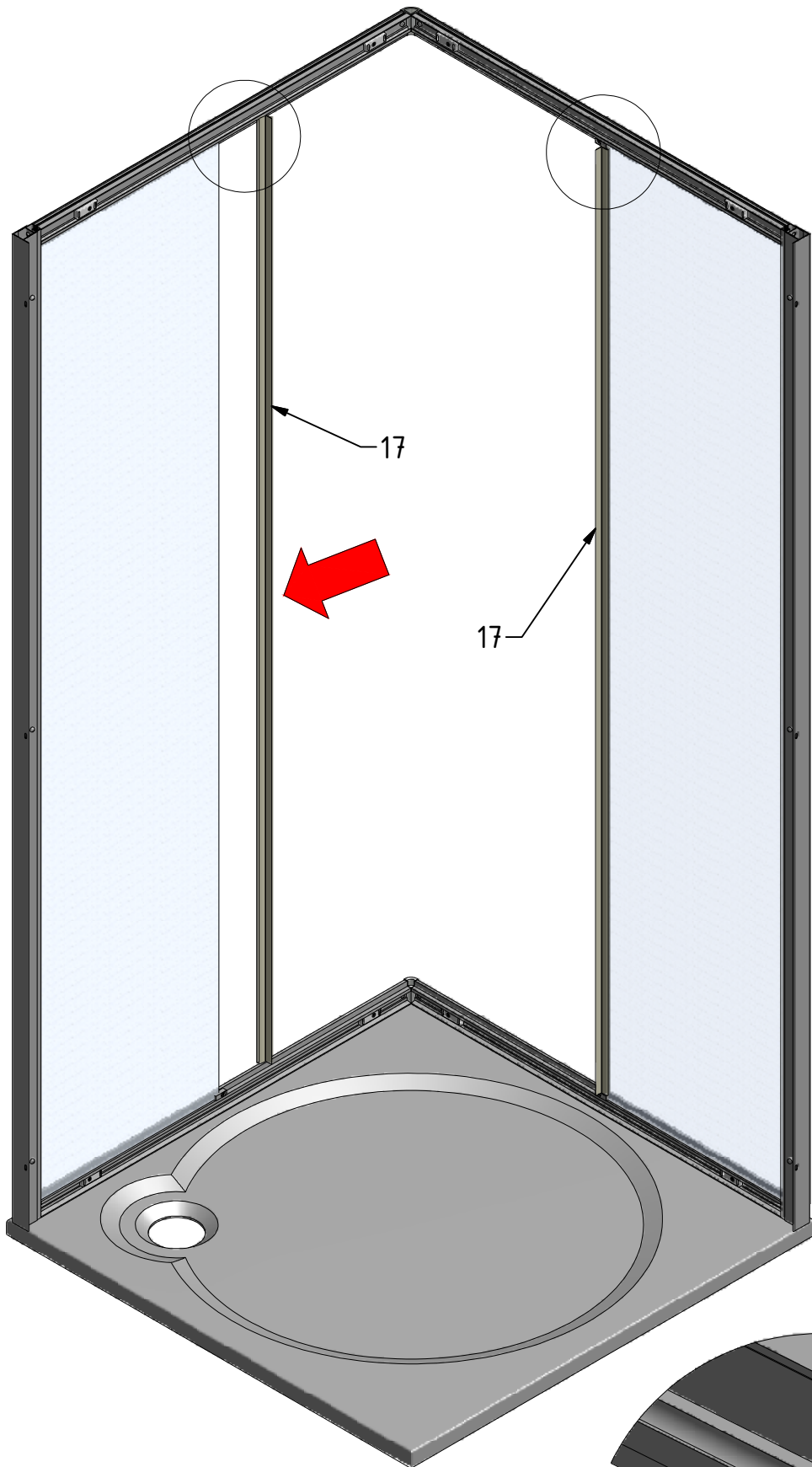


J

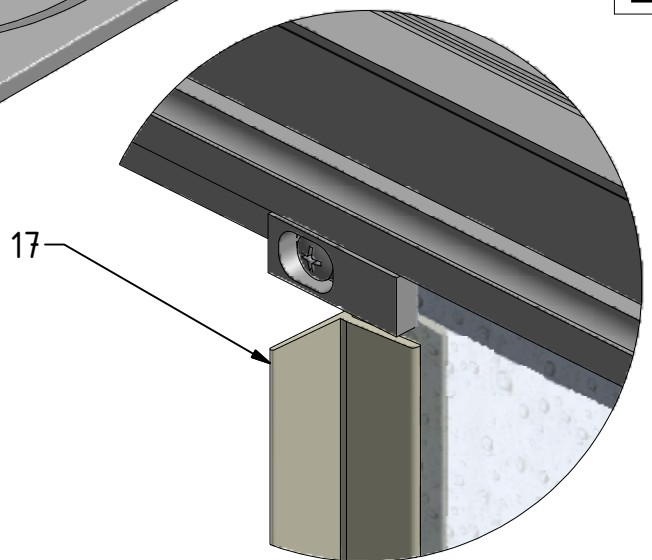


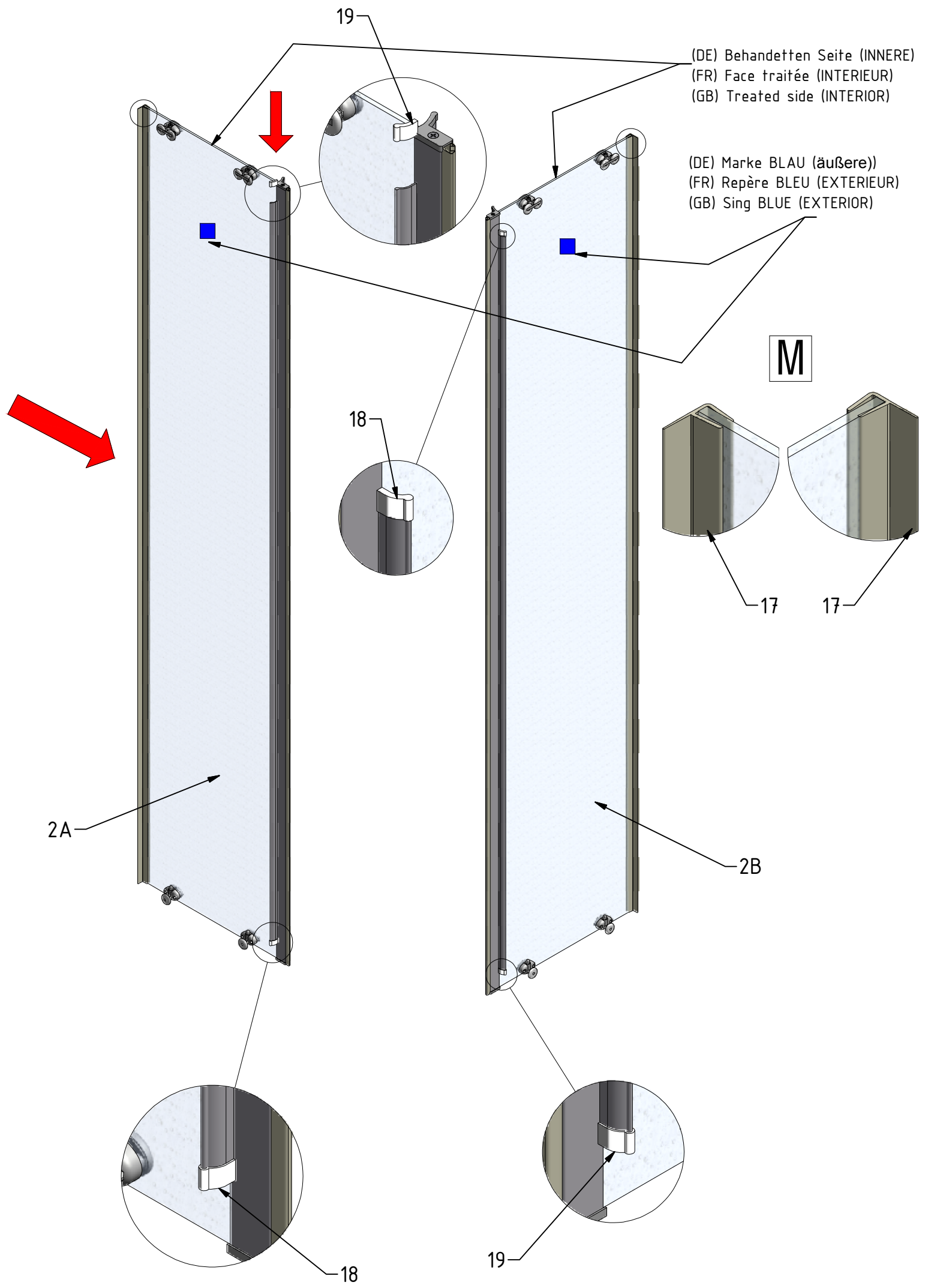
K





L

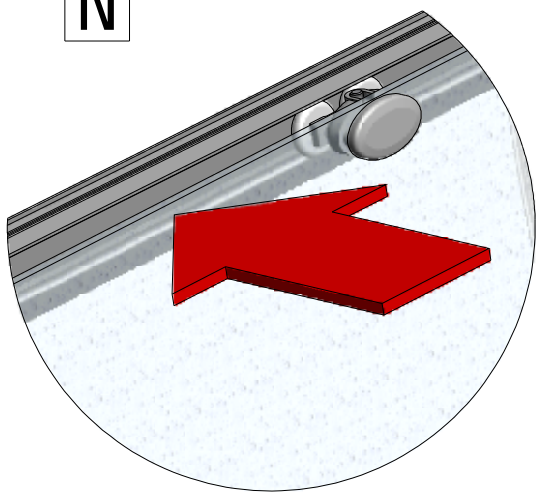




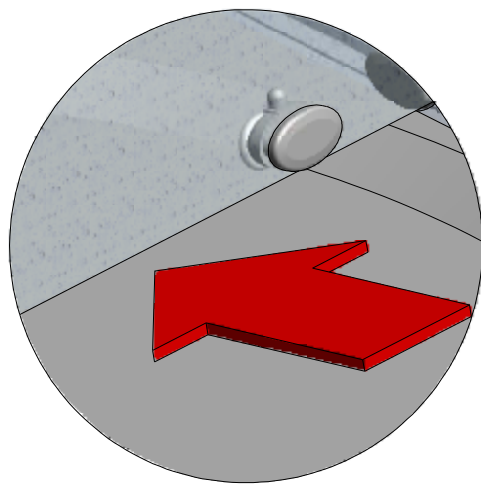
2B

2A

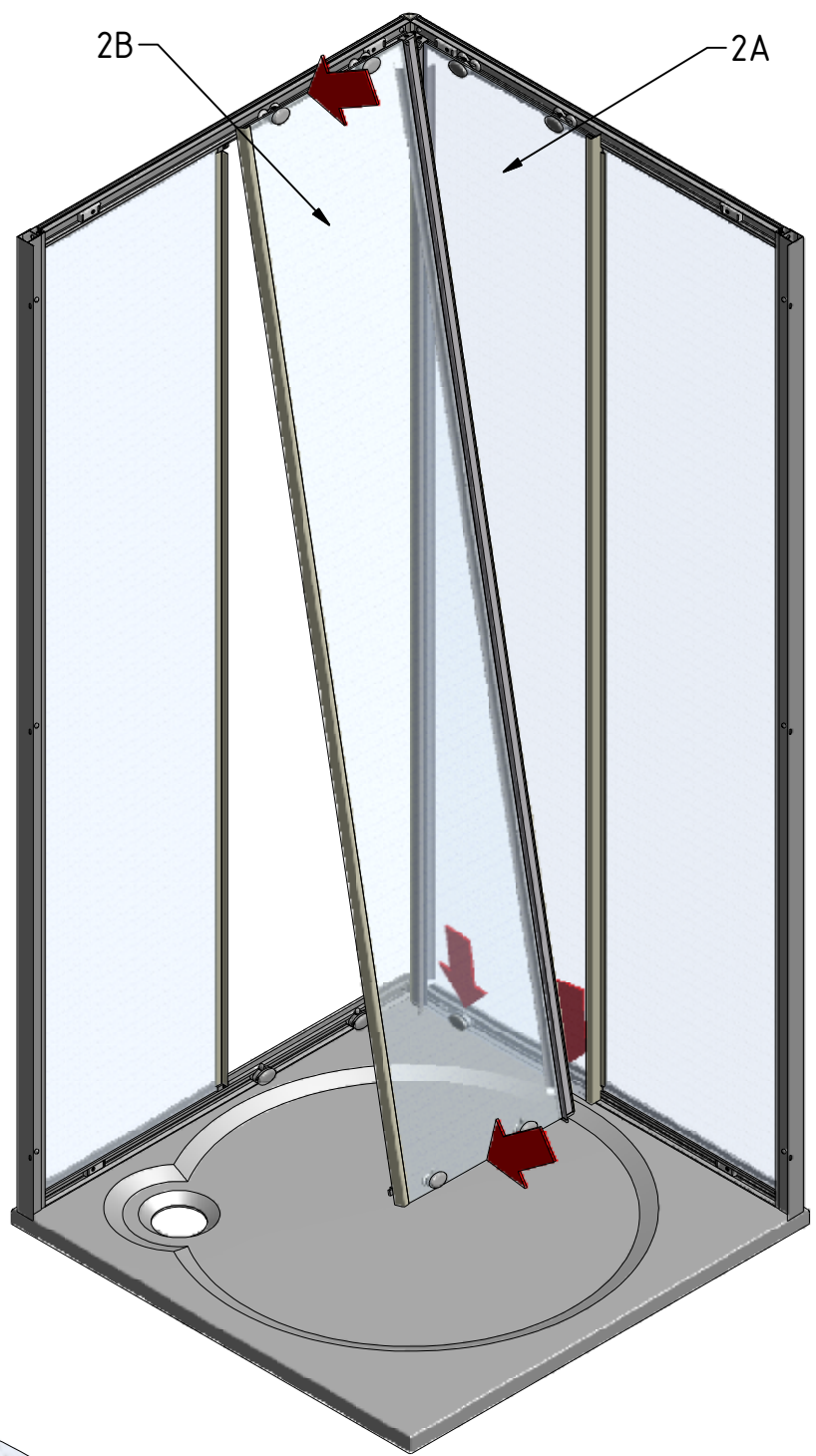
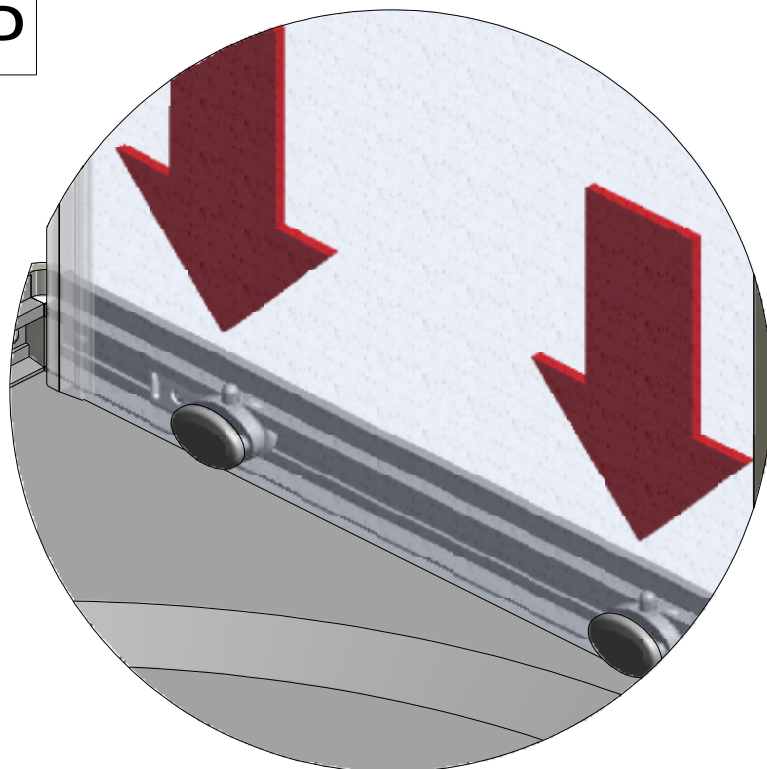
N

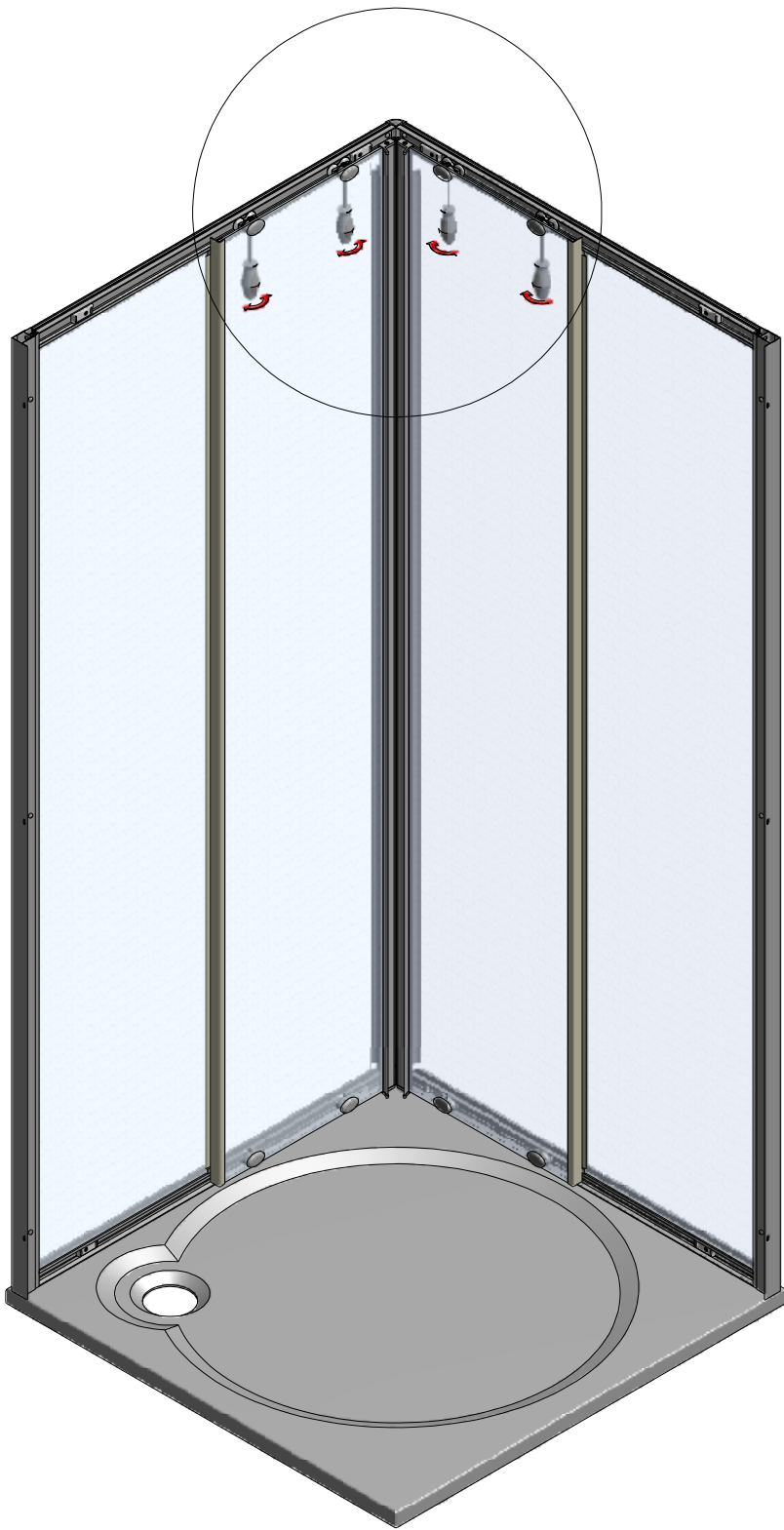


O

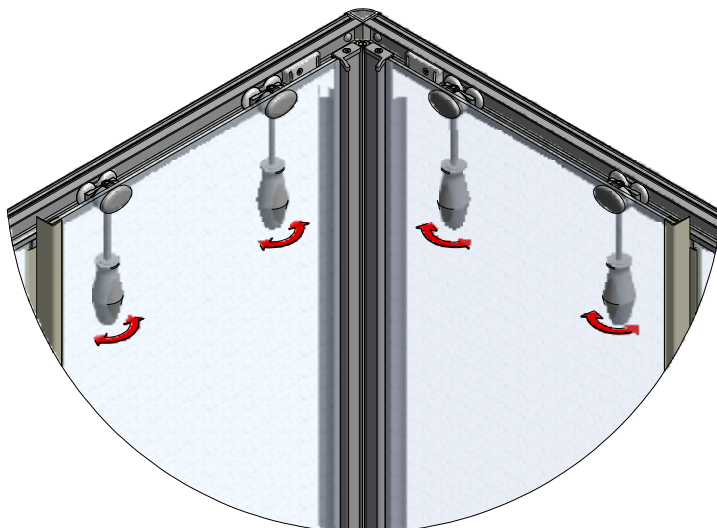
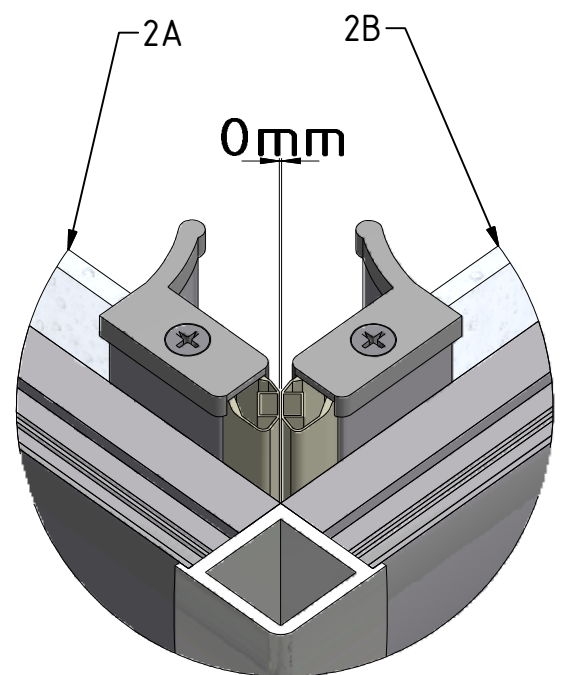
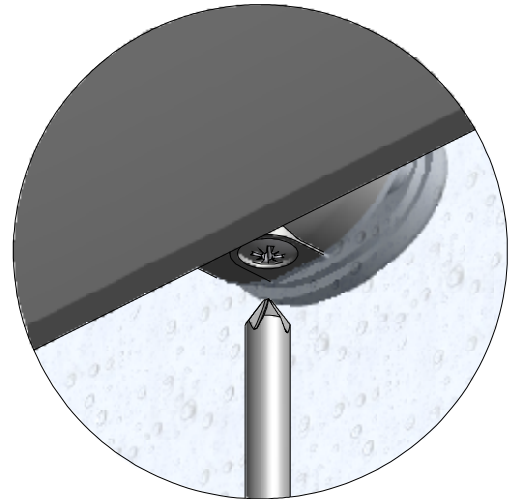


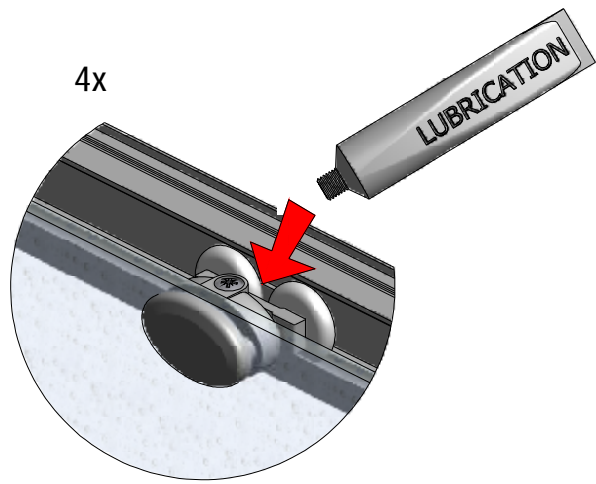
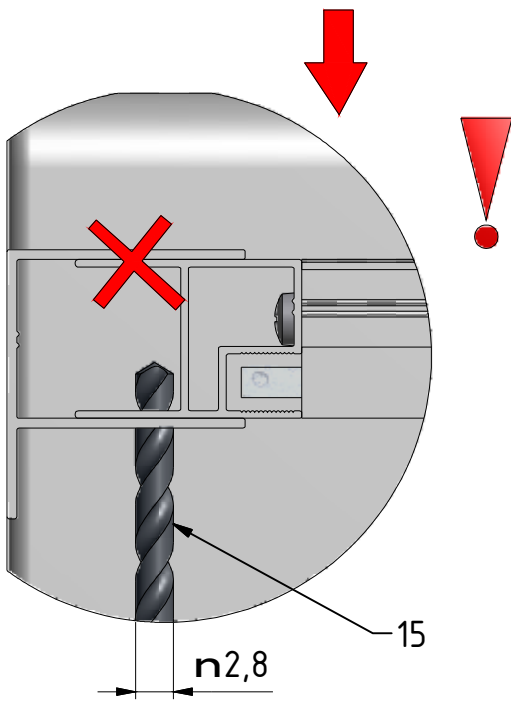
P



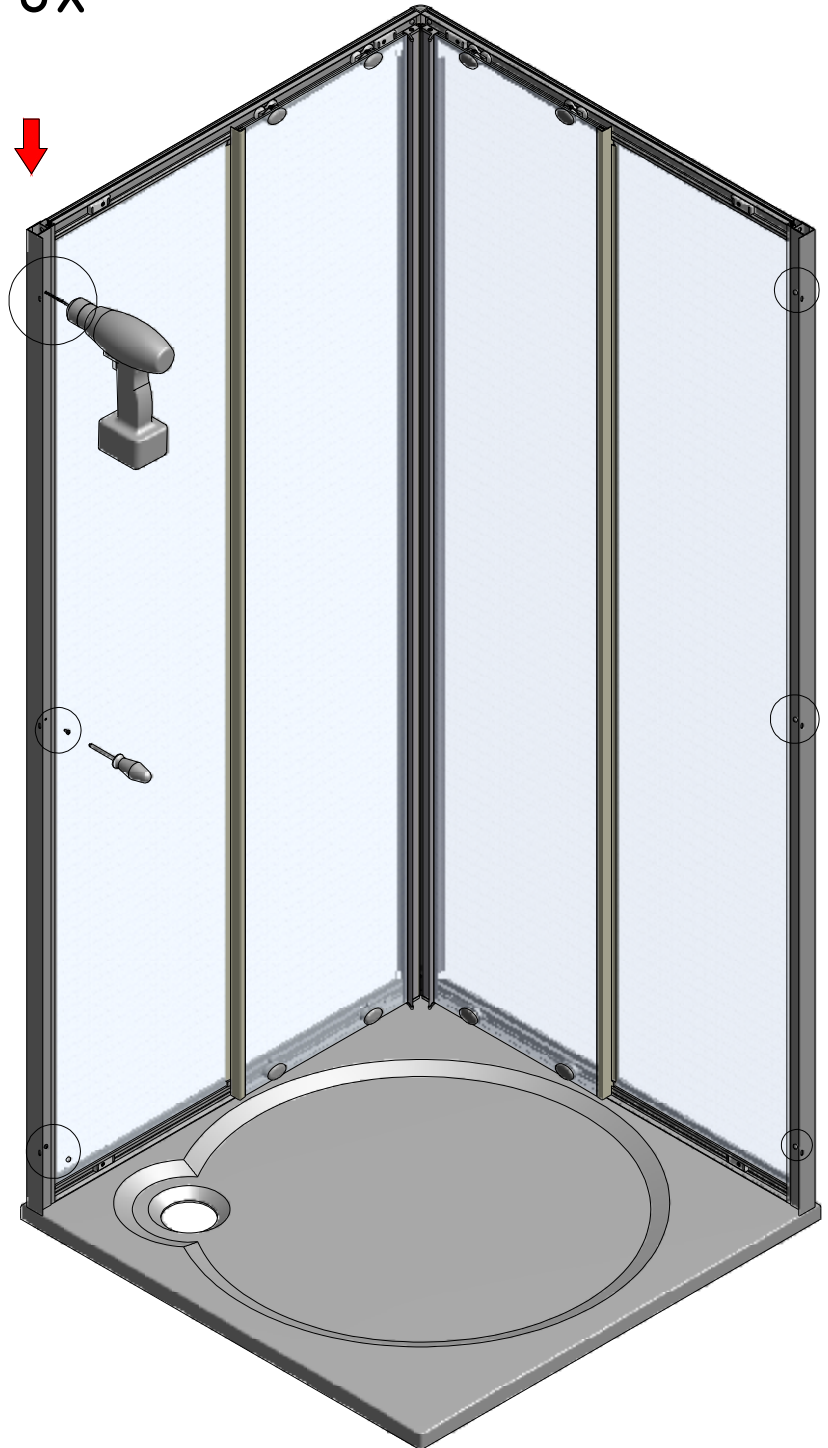
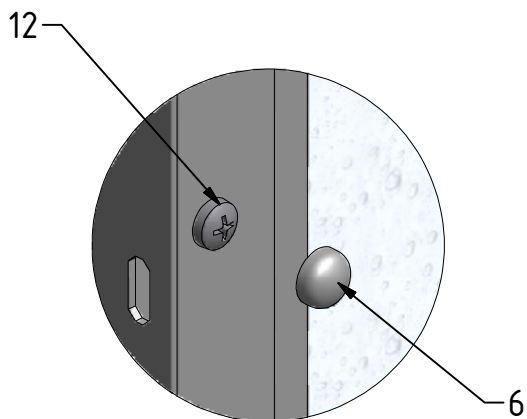
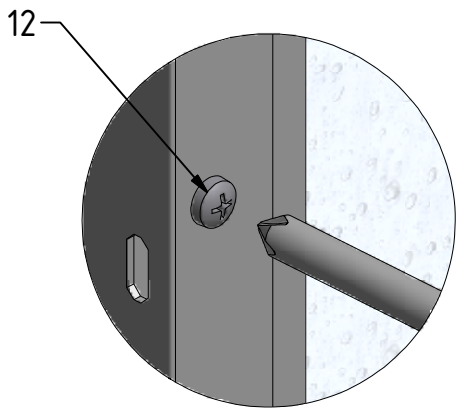


Q 4x



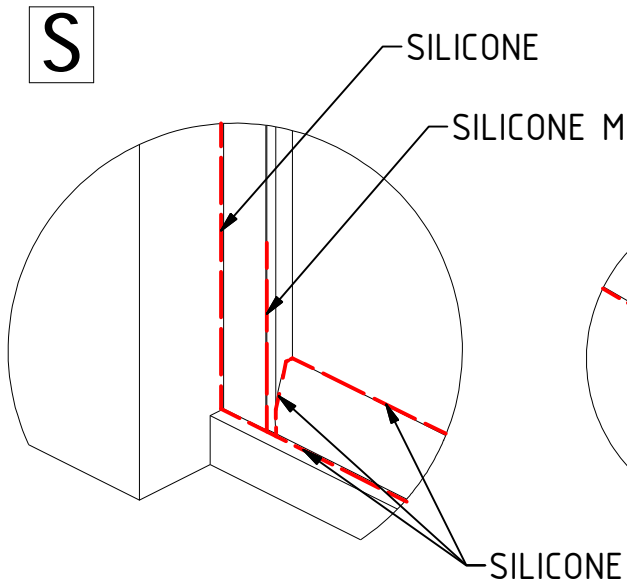


R 6x

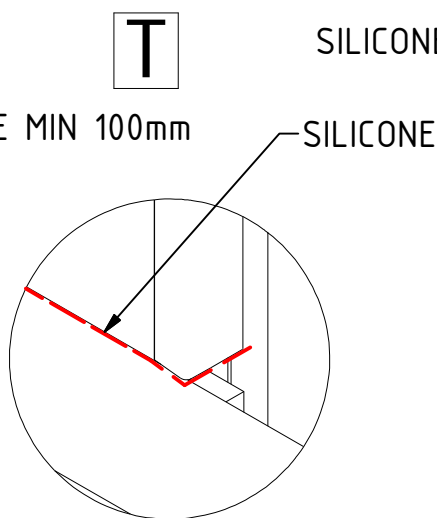




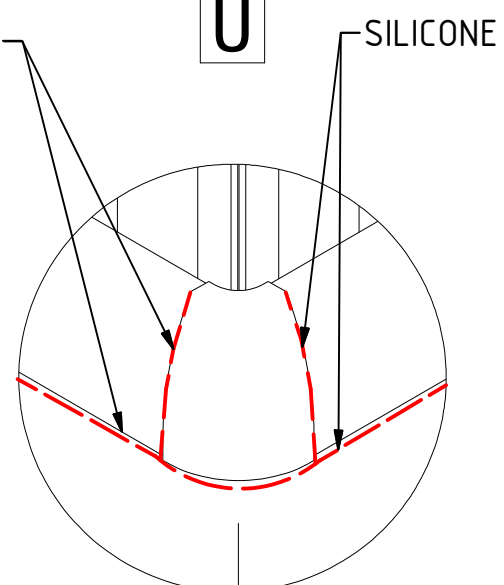
S

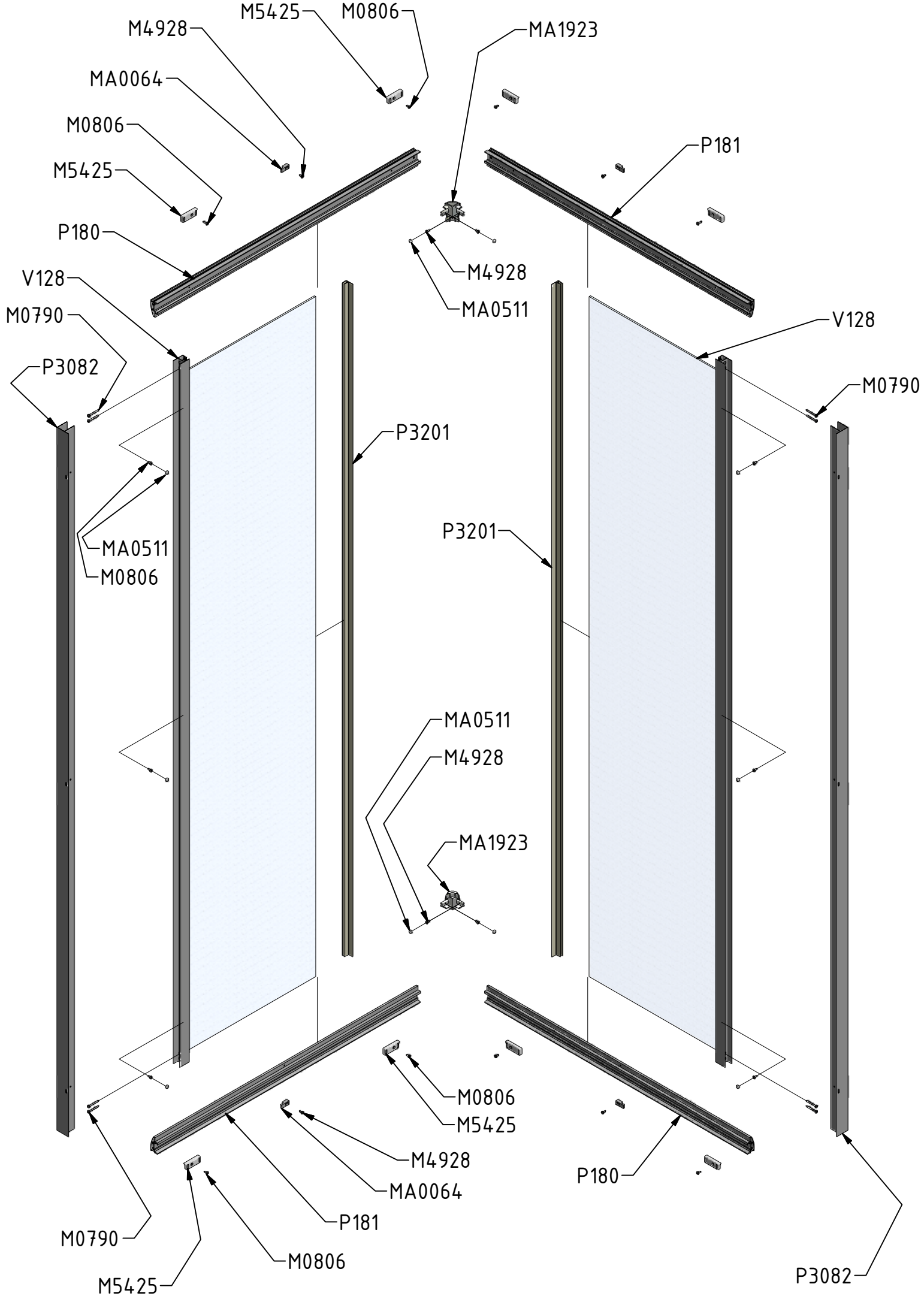


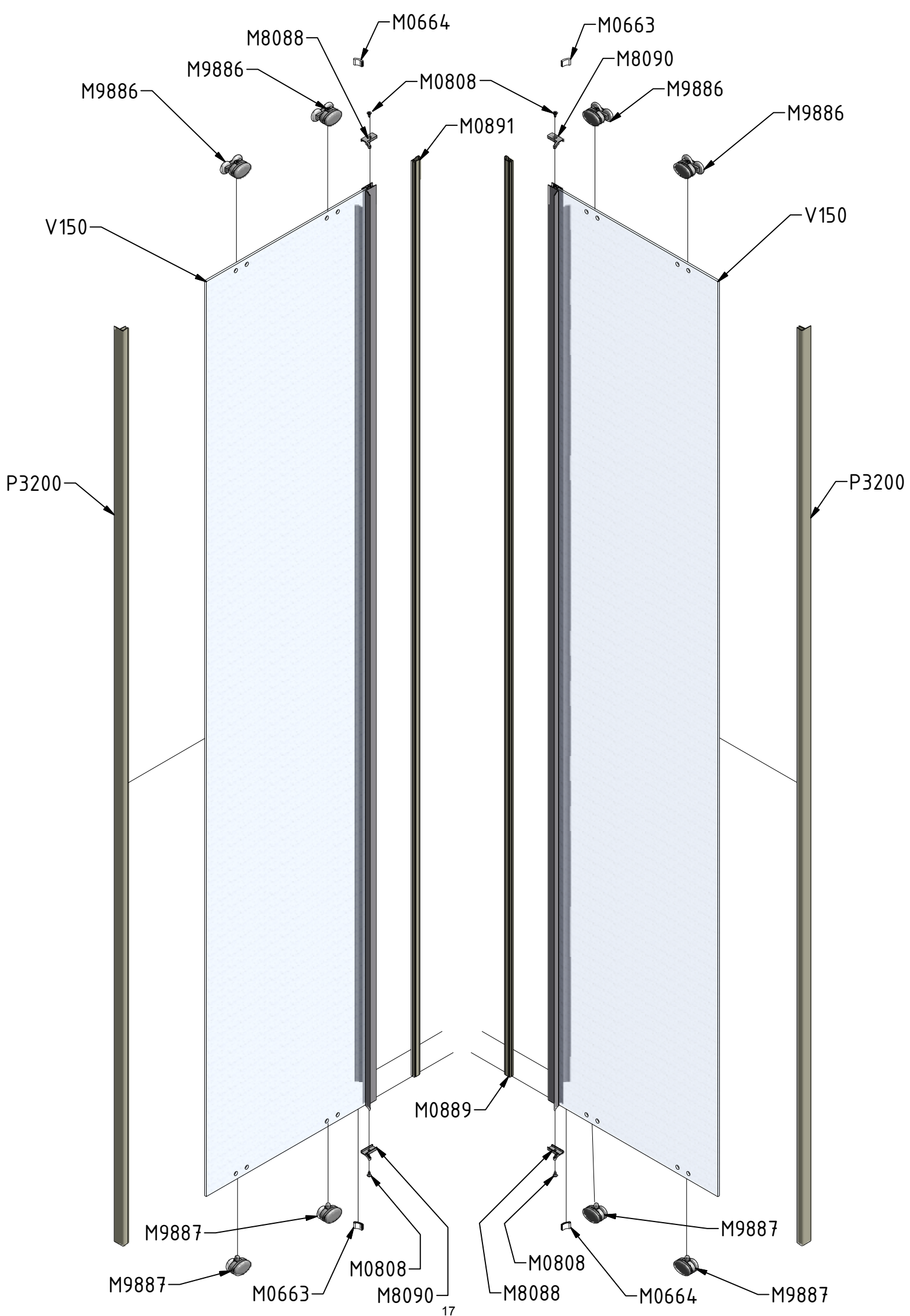
T





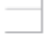


















U







V128	blanc+clear glass	700	ND03-0580-04-02	2	pcs		
		800	ND03-0524-04-02				
		900	ND03-0525-04-02				
V150	blanc+clear glass	700	ND02-0694-04-02	2	pcs		
		800/900	ND02-0693-04-02				
P180	blanc	700	P3440	2	pcs		
		800	P3442				
		900	P3444				
P181	blanc	700	P3441	2	pcs		
		800	P3443				
		900	P3445				
	blanc		P3082	2	pcs		
			MA0511	16	pcs		
			M0790	8	pcs	3,5x19	
			M0806	14	pcs	3,5x9,5	
			M4928	8	pcs	3,5x6,5	
			M0808	4	pcs	3,5x9,5	
			MA0064	4	pcs		
			M5425	8	pcs		
			M9886	4	pcs		
			M9887	4	pcs		
			P3200+P3201	2+2	pcs		
			MA1923	2	pcs		
			M0664	2	pcs		
			M0663	2	pcs		
			M8090	2	pcs		
			M8088	2	pcs		
			M0889	1	pcs		
			M0891	1	pcs		