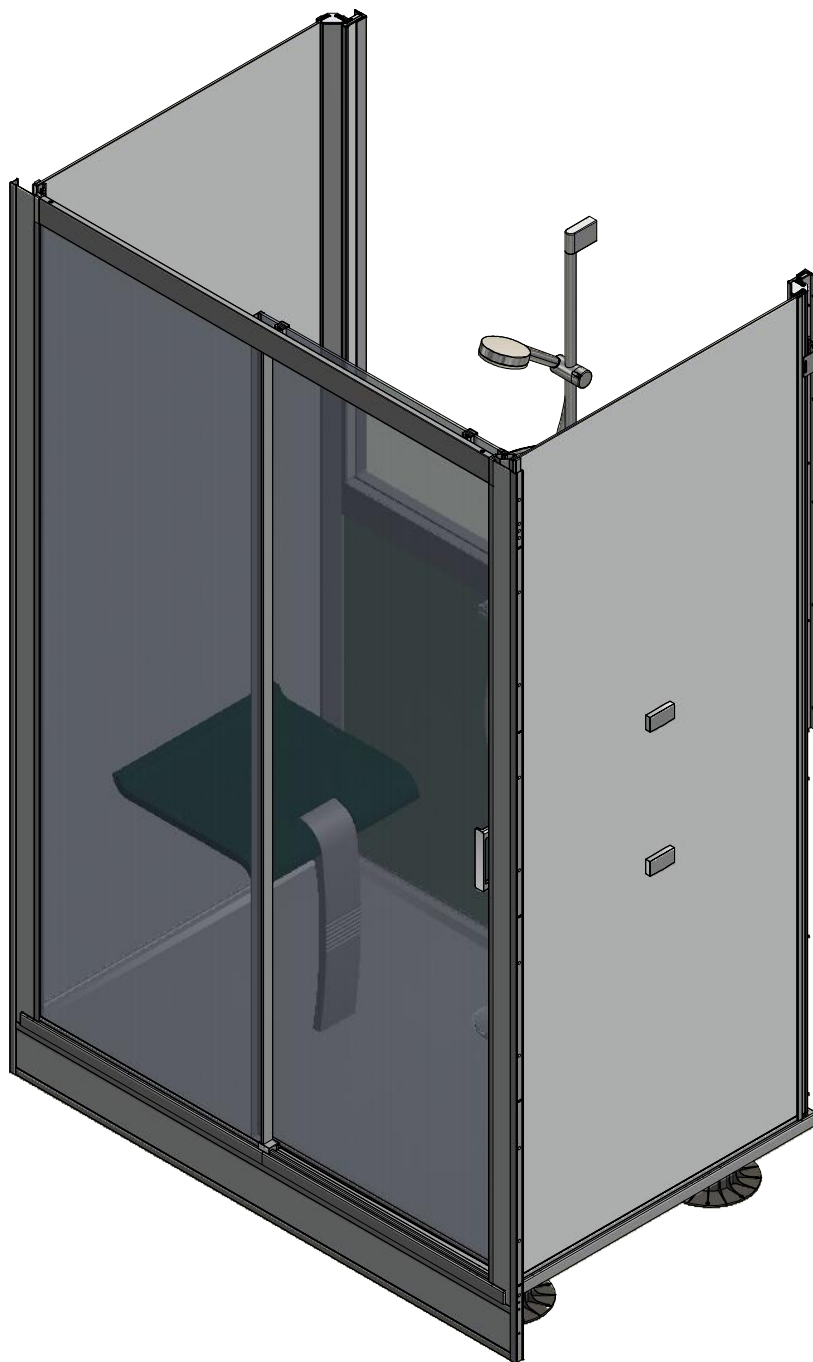


# VINATA NICHE MIXTE COMFORT/SPIRIT

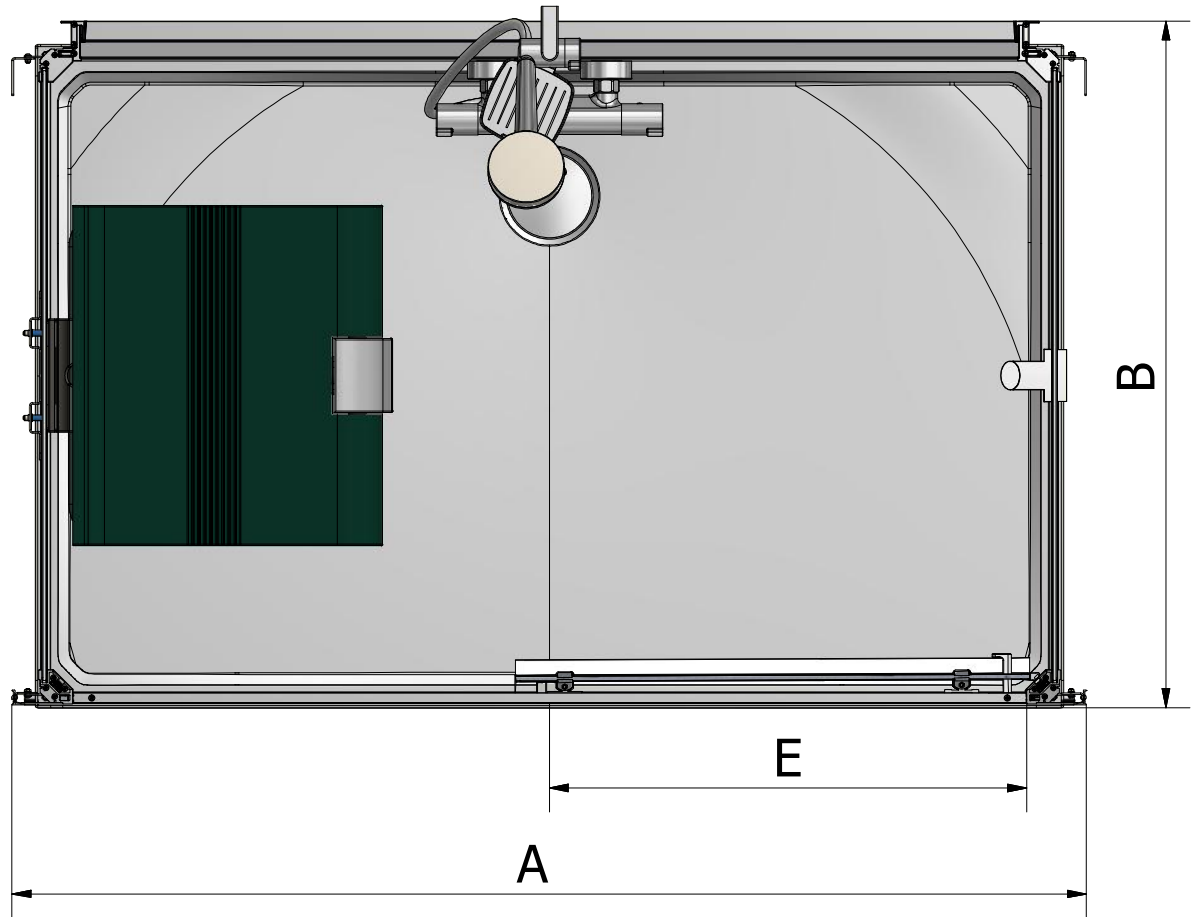


Roltechnik s.r.o.; Czech Republic, 56933 Třebořov 160,  
tel.:+420 461 324 301/302, fax: +420 461 324 297,  
<http://www.roltechnik.com>; e-mail: [objednavky@roltechnik.cz](mailto:objednavky@roltechnik.cz)

2019/15/3  
Rev.:00  
MA8570\_En



# VINATA NICHE MIXTE COMFORT/SPIRIT



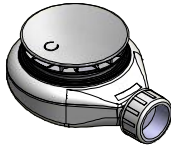
Dimension [mm]	A [mm]	B [mm]	E [mm]
677x1160x2000			445
677x1360x2000			545
677x1560x2000			645
677x1660x2000			695
777x1160x2000			445
777x1360x2000			545
777x1560x2000			645
777x1660x2000			695
877x1160x2000			445
877x1360x2000			545
877x1560x2000			645
877x1660x2000			695

# Accessoires

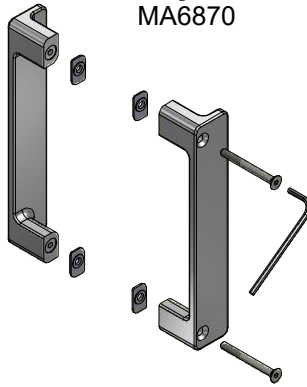
0a

Version	Id.	Pc
COMFORT	VI00022	1x
SPIRIT	VI00024	1x

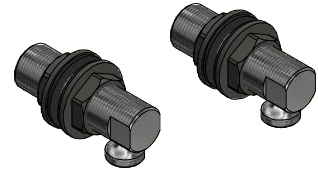
1. 0a-1  
Siphon 1x  
8100034



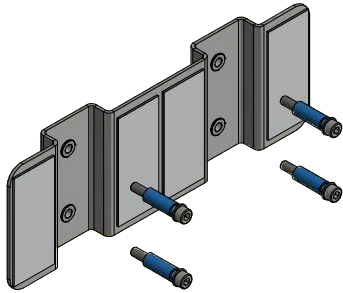
2. 0a-2  
Poignées 1x  
MA6870



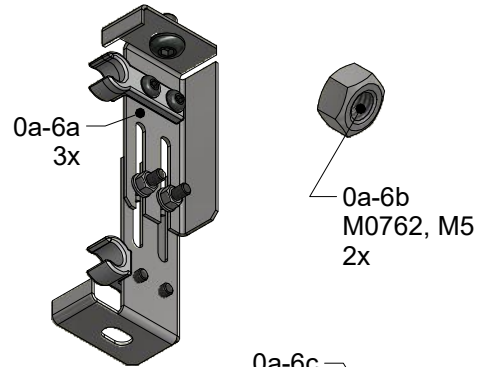
3. 0a-3  
Raccords pour  
robinetterie 1x MA7363



4. 0a-4  
POUR VERSION COMFORT  
UNIQUEMENT  
Support siège / tablette 1x P4569



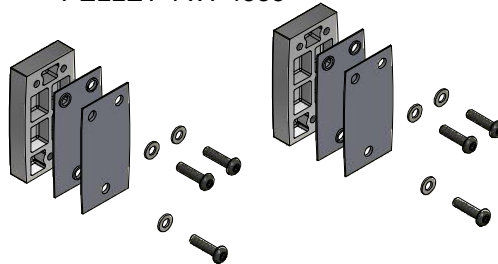
6. Supports tablier pour receveur  
P4570 1x



0a-6b  
M0762, M5  
2x

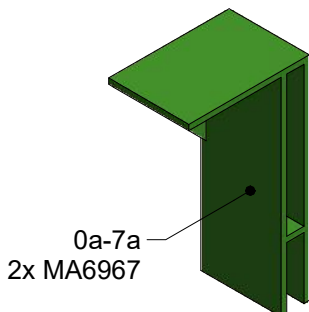
0a-6c  
MA1056  
2x

5. 0a-5  
POUR VERSION COMFORT  
UNIQUEMENT  
Support pour barre de maintien  
PELLET 1 x P4585



0a-6d  
MA7505, M5x25  
2x

7. Anchors to the wall  
1x P4959



0a-7b  
4x MA7131

0a-7c  
2x MA7130

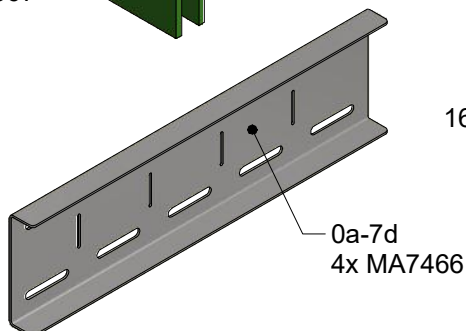
0a-7e  
24x MA7508  
M4x10

0a-7g  
32x M0768  
Ø 4,3

0a-7f  
16x M0761  
M4

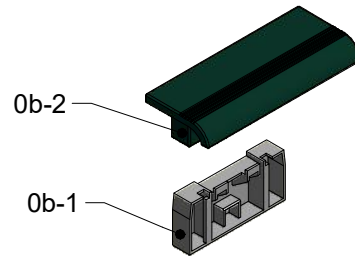
0a-7h  
4x M0511

0a-7i  
4x M0811



# Tablette

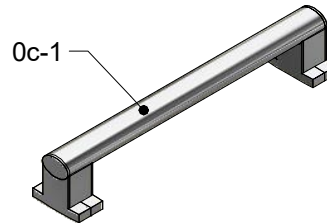
POUR VERSION COMFORT  
UNIQUEMENT Tablette PELLET  
1x MA7006 pour colori ANTHRACITE  
1x MA7005 pour colori BLANC



0b

# Barre de maintien PELLET

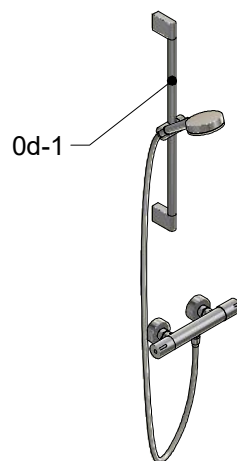
POUR VERSION COMFORT  
UNIQUEMENT  
1x Barre de maintien PELLET, MA7431



0c

# Ensemble Robinetterie Hansgrohe

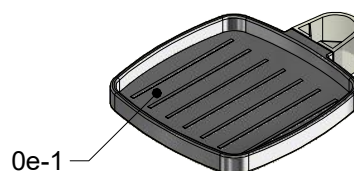
Hansgrohe Crometta 100  
1x MA7175



0d

# Porte-flacons Hansgrohe

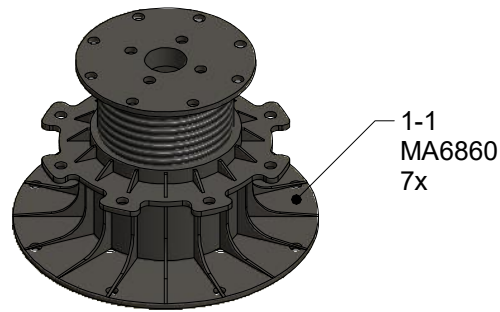
Cassette Hansgrohe  
1x MA7454



0e

# Pieds réglables pour receveur

Shower feet  
1x VI10001

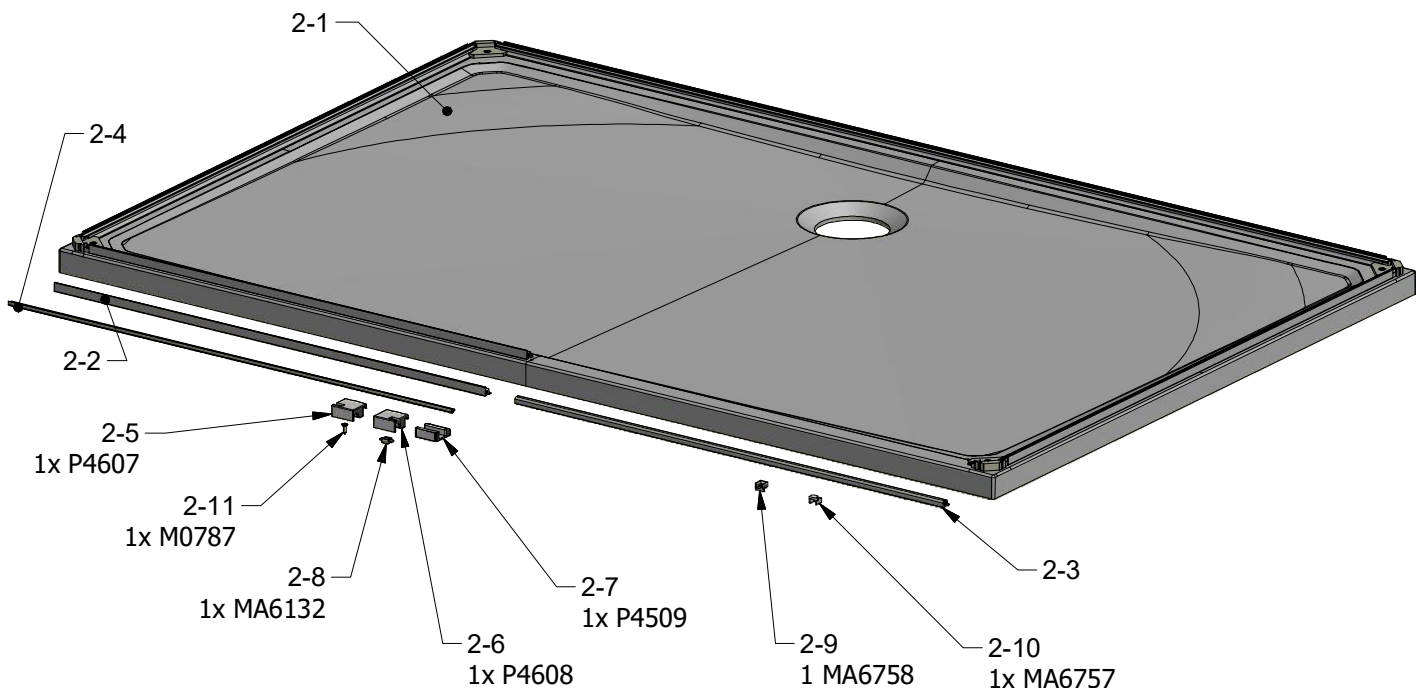


1

## Receveur

Dimension [mm]	COMFORT	SPIRIT	Pc
1160x677	VI20100	VI20001	1x
1160x777	VI20101	VI20002	1x
1160x877	VI20102	VI20003	1x
1360x677	VI20103	VI20004	1x
1360x777	VI20104	VI20005	1x
1360x877	VI20105	VI20006	1x
1560x677	VI20106	VI20007	1x
1560x777	VI20107	VI20008	1x
1560x877	VI20108	VI20009	1x
1660x677	VI20109	VI20010	1x
1660x777	VI20110	VI20011	1x
1660x877	VI20111	VI20012	1x

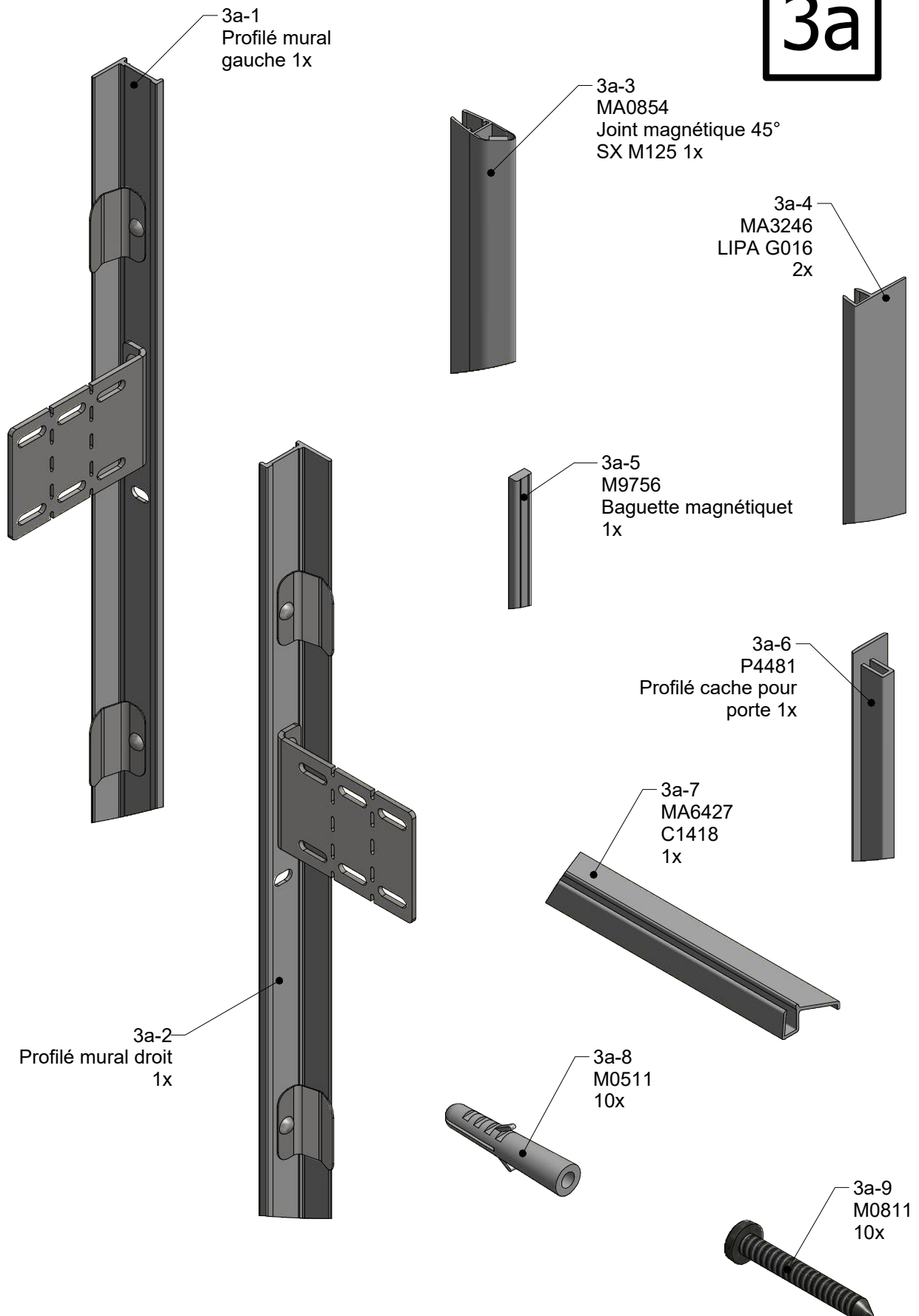
2



# Profils muraux et joints d'étanchéité

1x VI43001

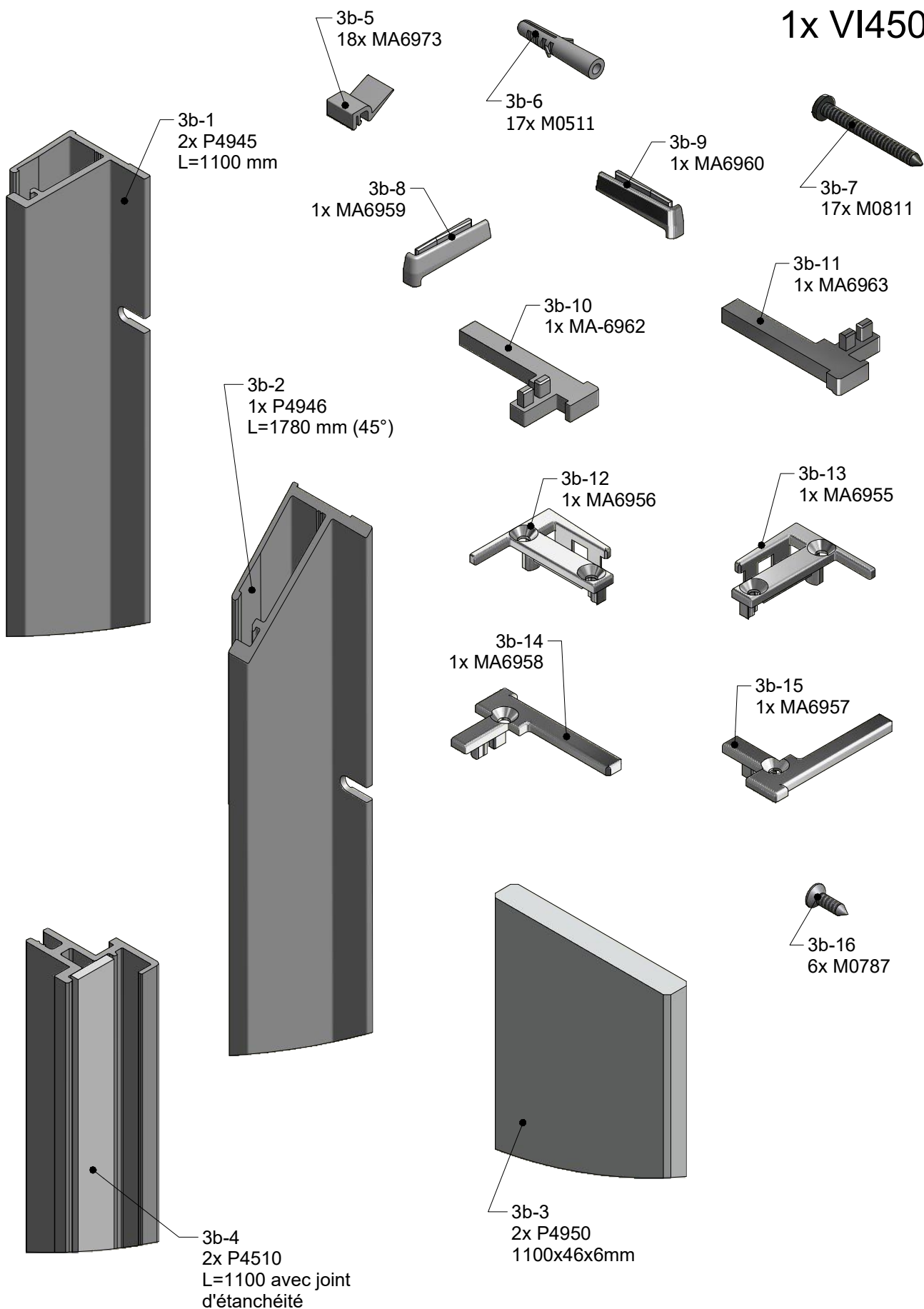
3a



# Profilé mural MIXTE

3b

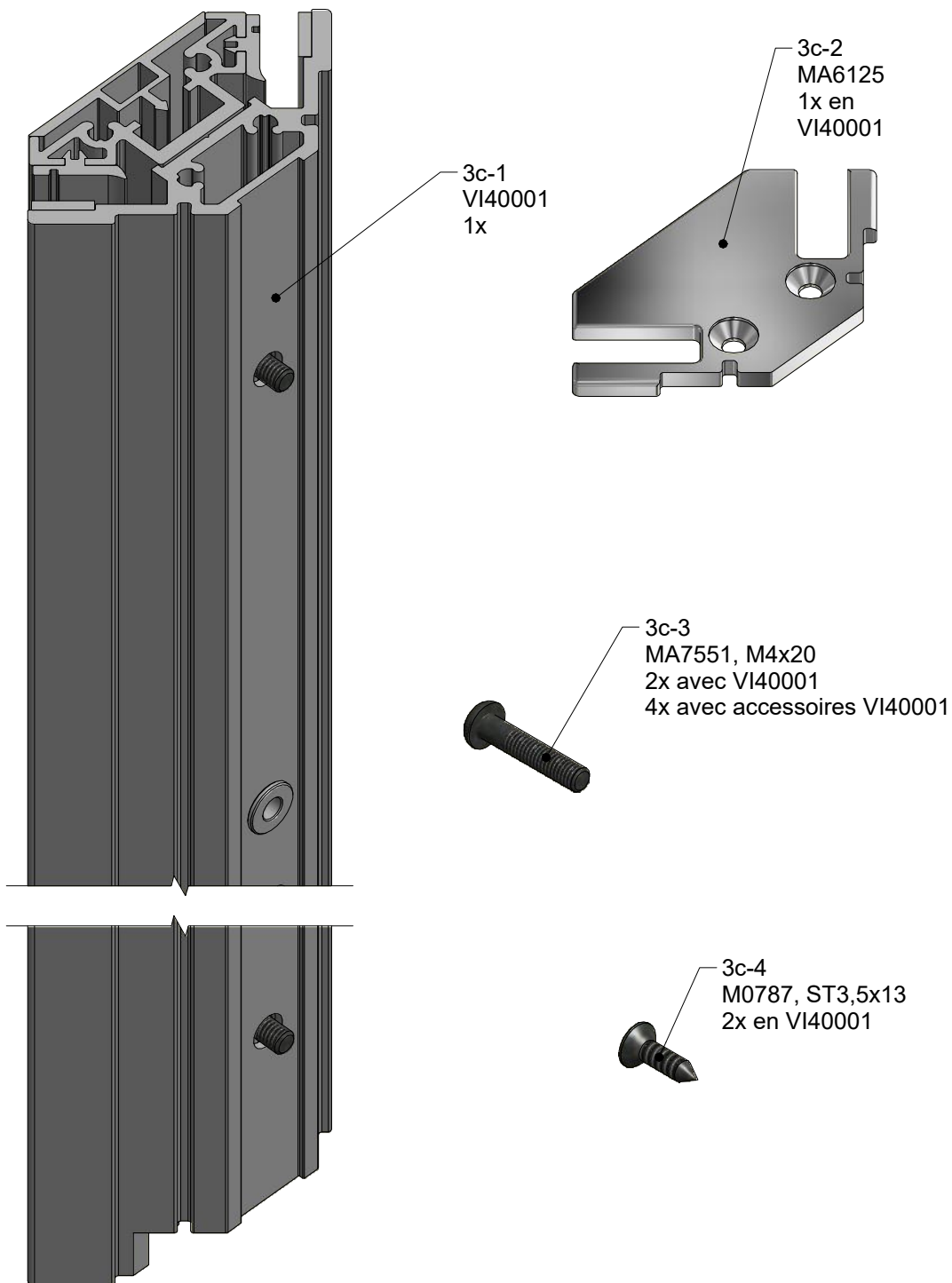
1x VI45001





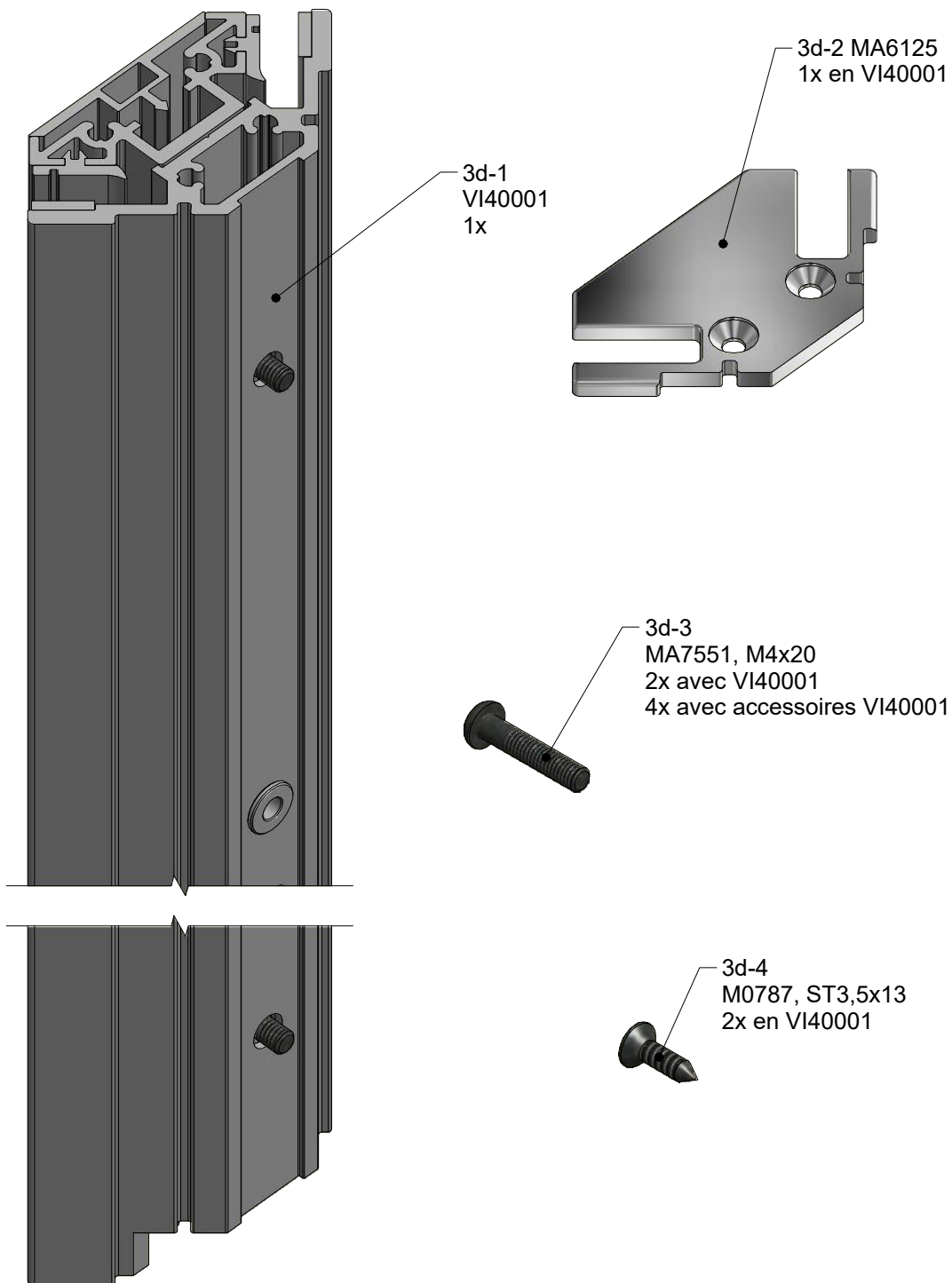
# Cache pour profilé d'angle 90°

3c



# Cache pour profilé d'angle 90°

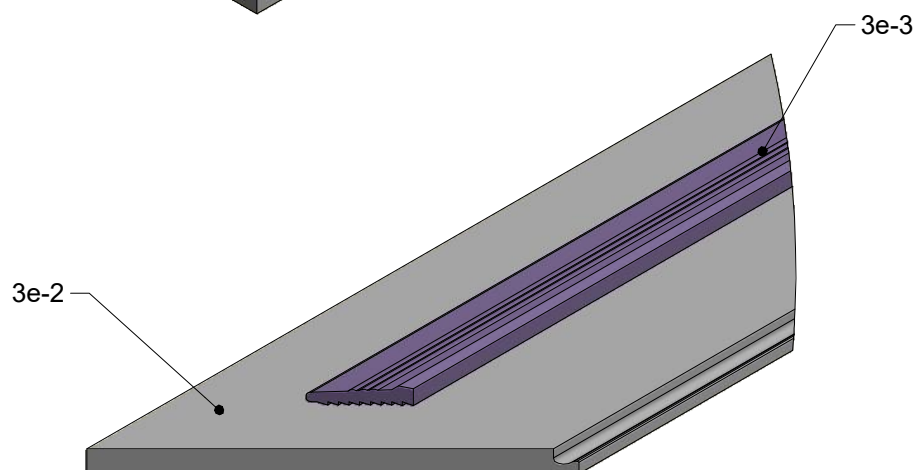
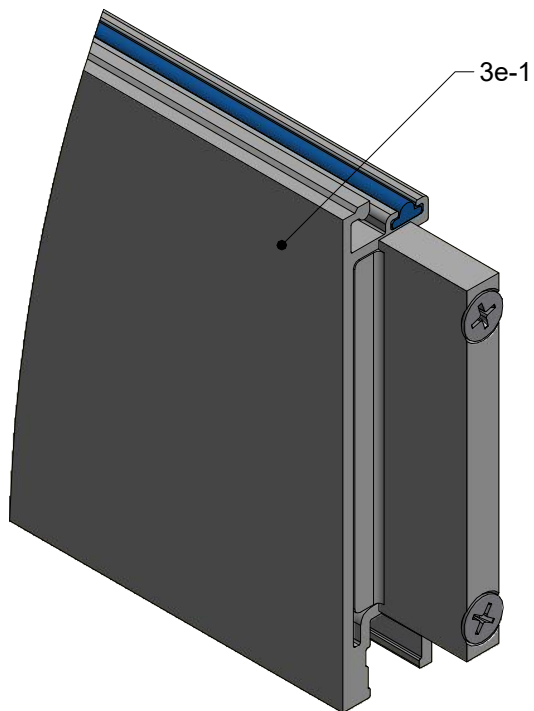
3d



# Profilé horizontal MIXTE

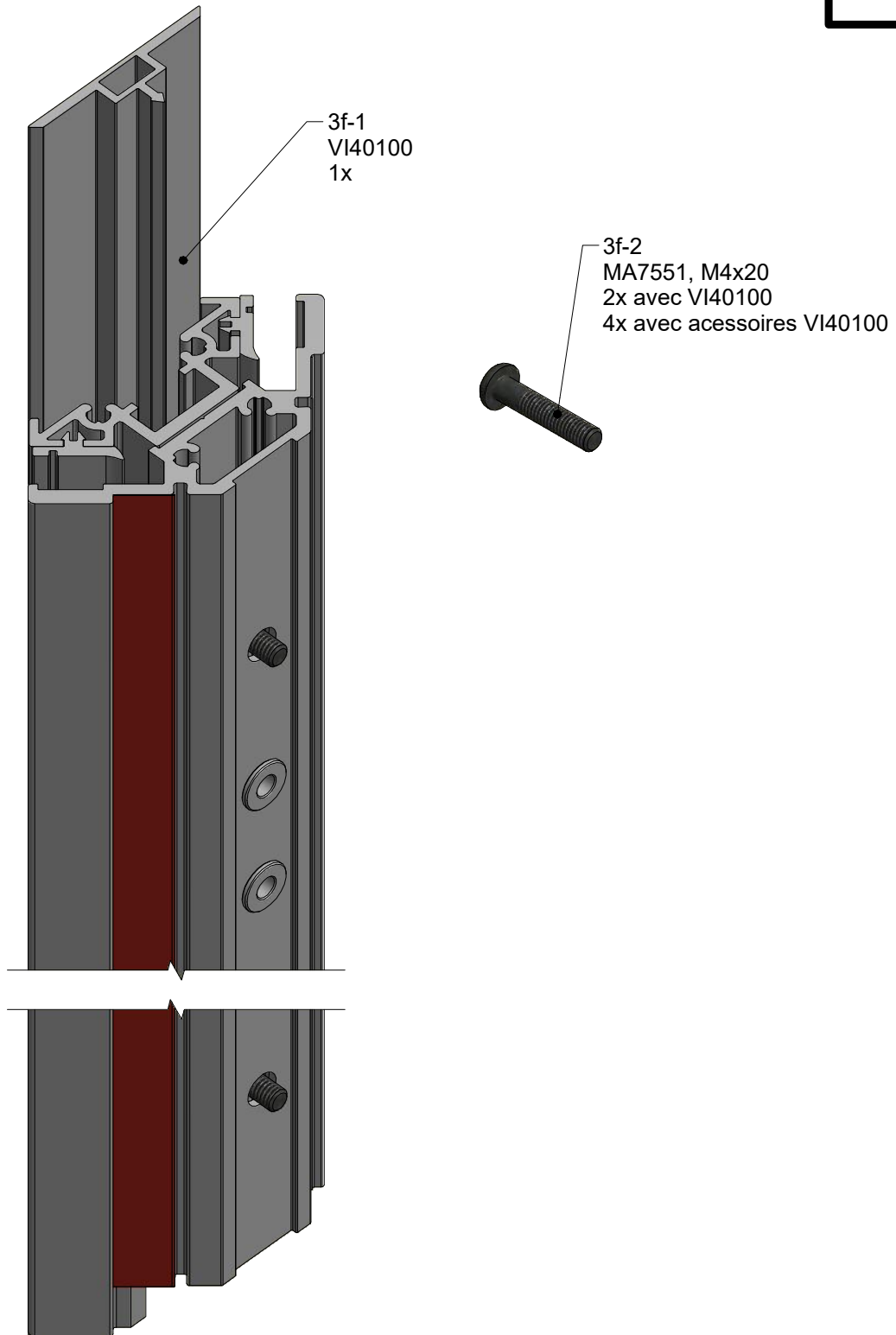
3e

Dimension receveur [mm]	Id.	Pc
1160	VI46001	1x
1360	VI46002	1x
1560	VI46003	1x
1660	VI46004	1x



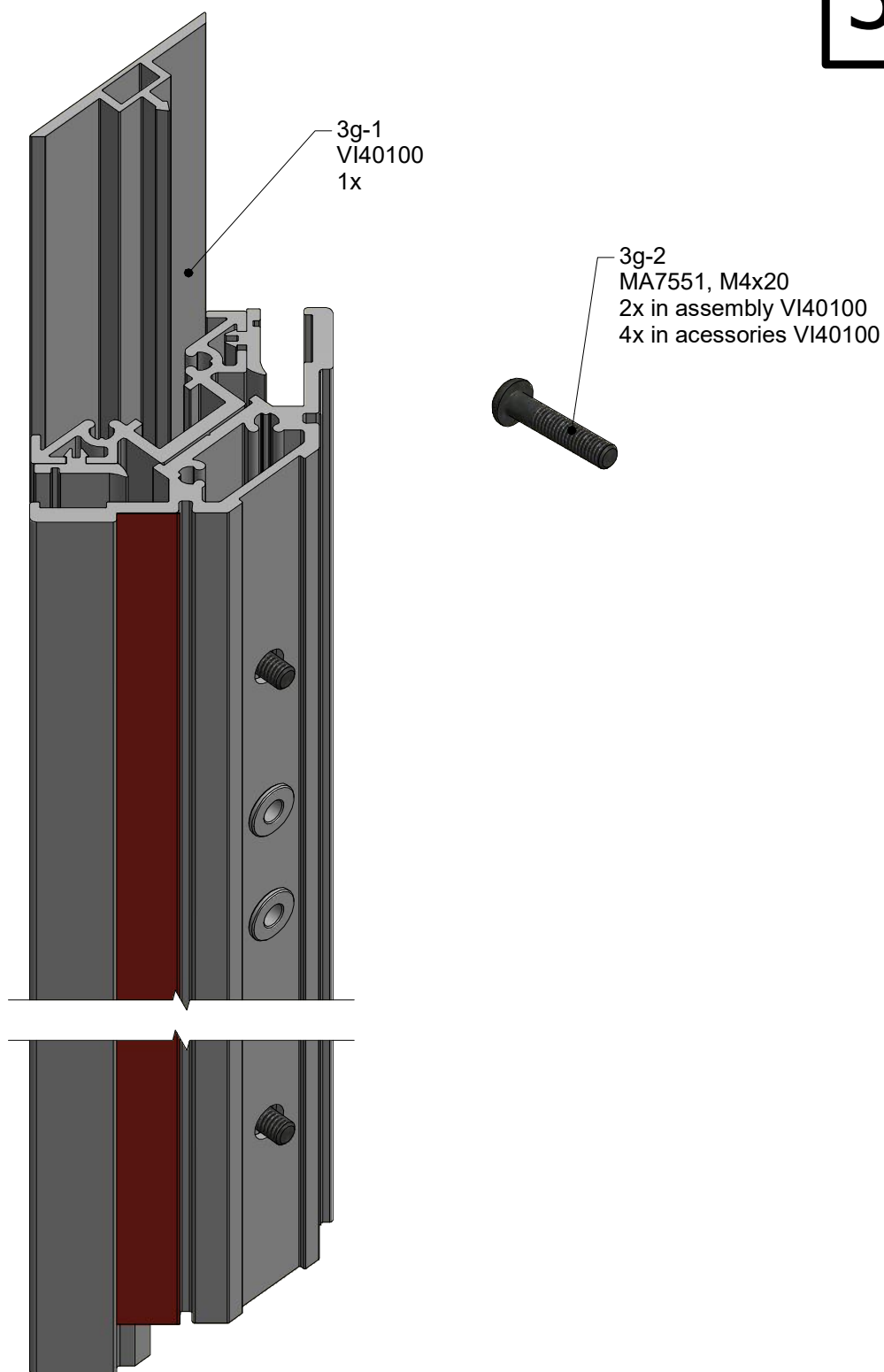
# Profilé d'angle 90° avant

3f



# Profilé d'angle 90° avant

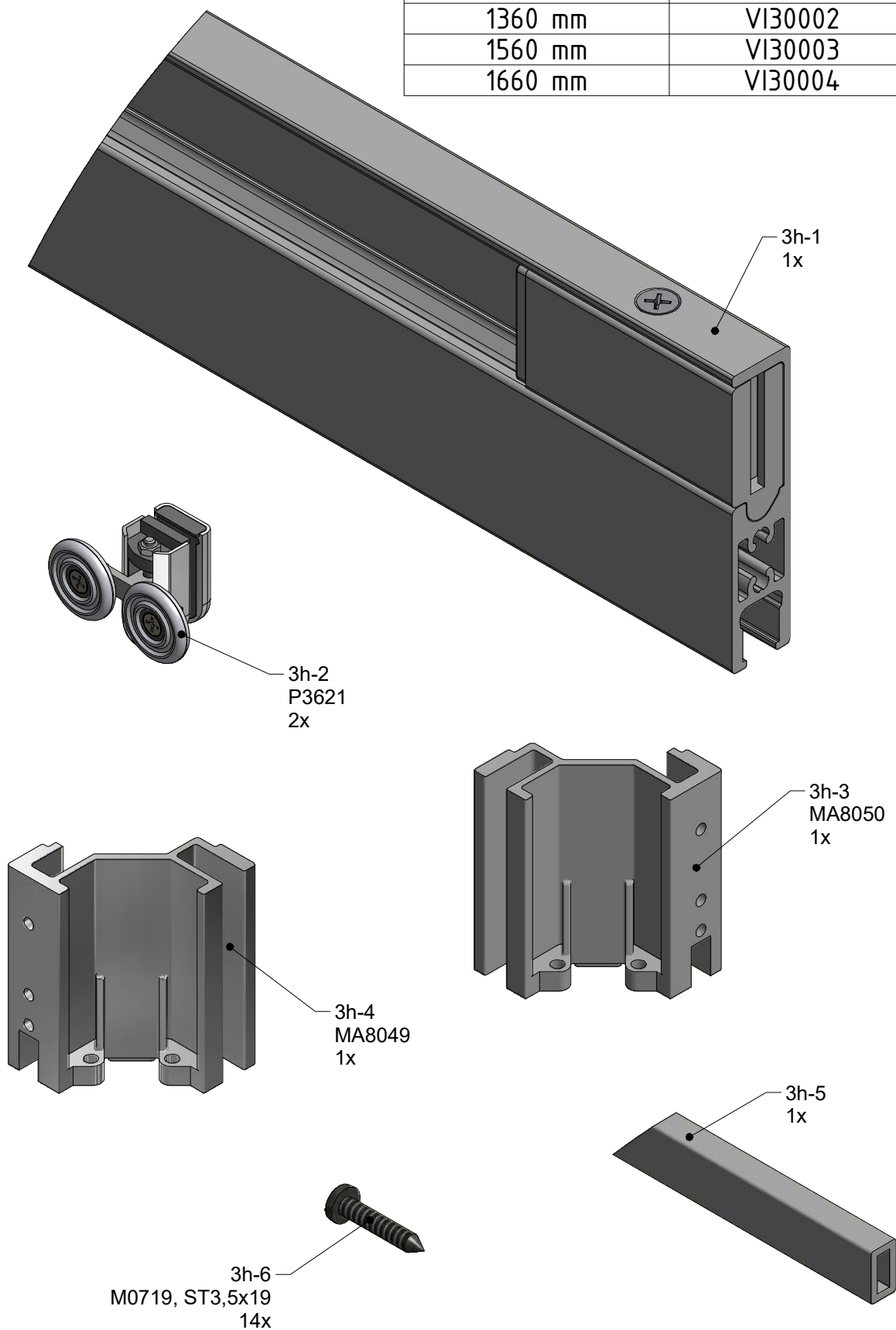
3g



# Rail pour porte coulissante

3h

Dimensions receveur	COMFORT/SPIRIT	Pc
1160 mm	VI30001	1x
1360 mm	VI30002	1x
1560 mm	VI30003	1x
1660 mm	VI30004	1x

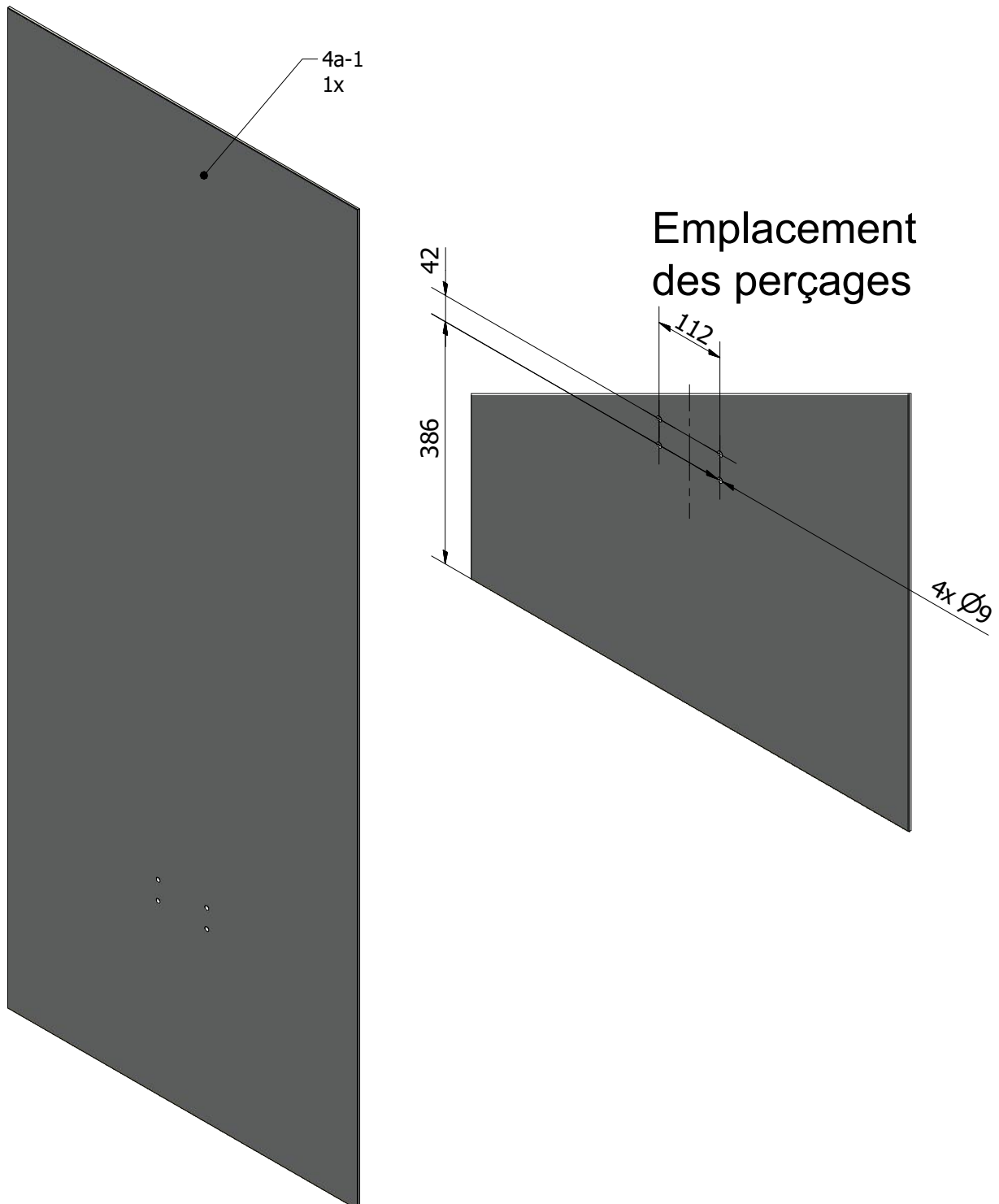


# Paroi latérale en verre (tablette)

Le verre de la version SPIRIT est livré sans perçage

Dimension receveur	ANTHRACITE COMFORT	BLANC COMFORT	ANTHRACITE SPIRIT	BLANC SPIRIT	Pc
677 mm	VI51001	VI51101	VI51201	VI51301	1x
777 mm	VI51002	VI51102	VI51202	VI51302	1x
877 mm	VI51003	VI51103	VI51203	VI51303	1x

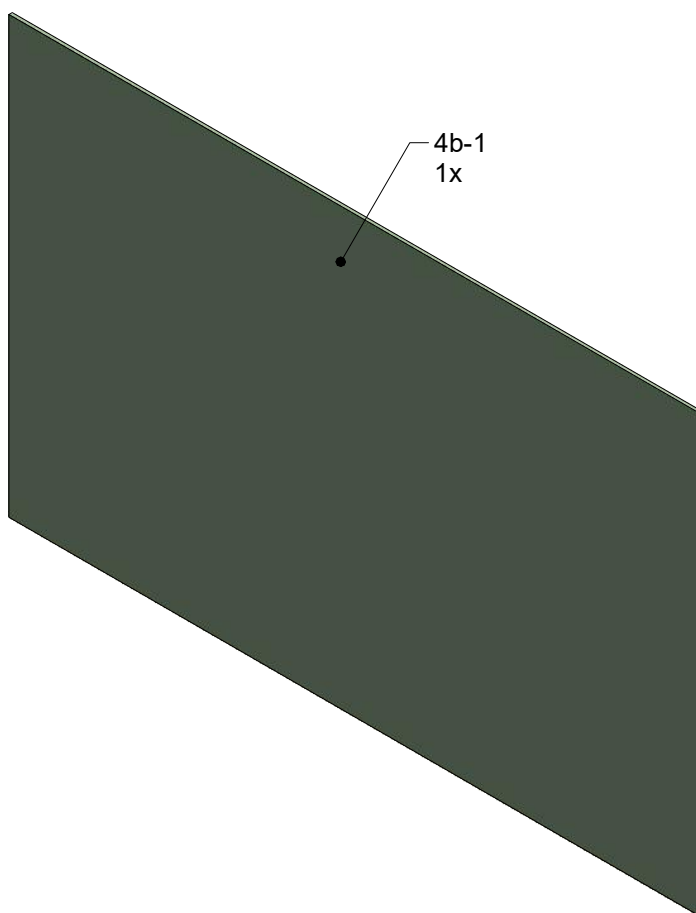
4a



# Back glass set

4b

Tray width	ANTHRACITE	WHITE	Pc
1160 mm	VI55001	VI55101	1x
1360 mm	VI55002	VI55102	1x
1560 mm	VI55003	VI55103	1x
1660 mm	VI55004	VI55104	1x

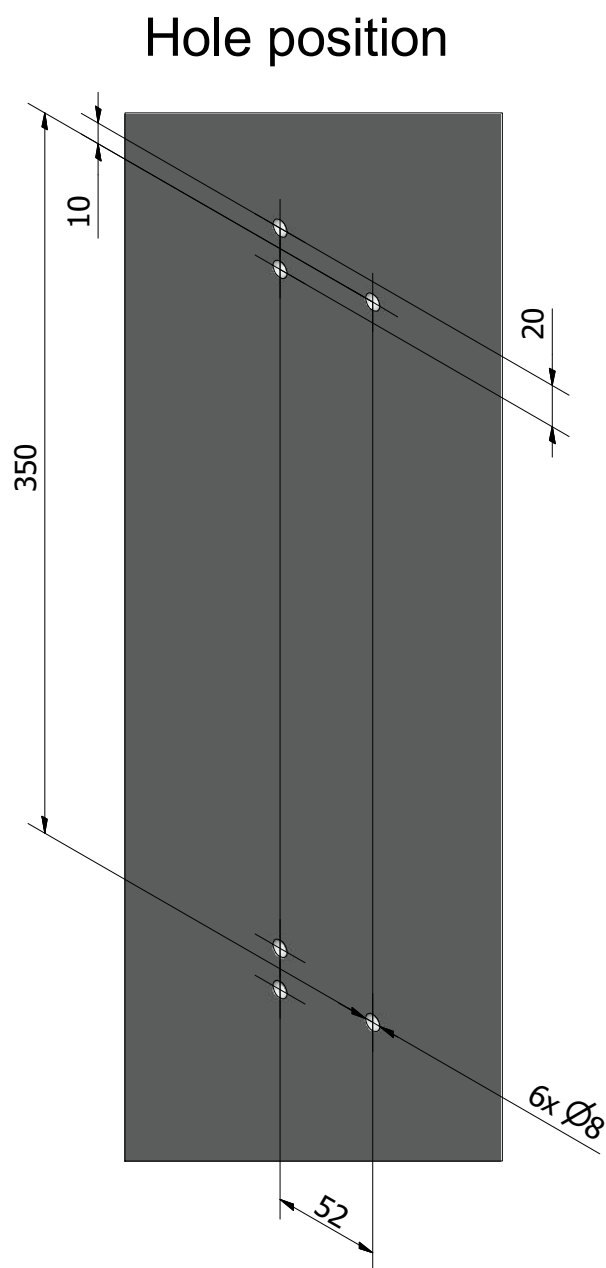
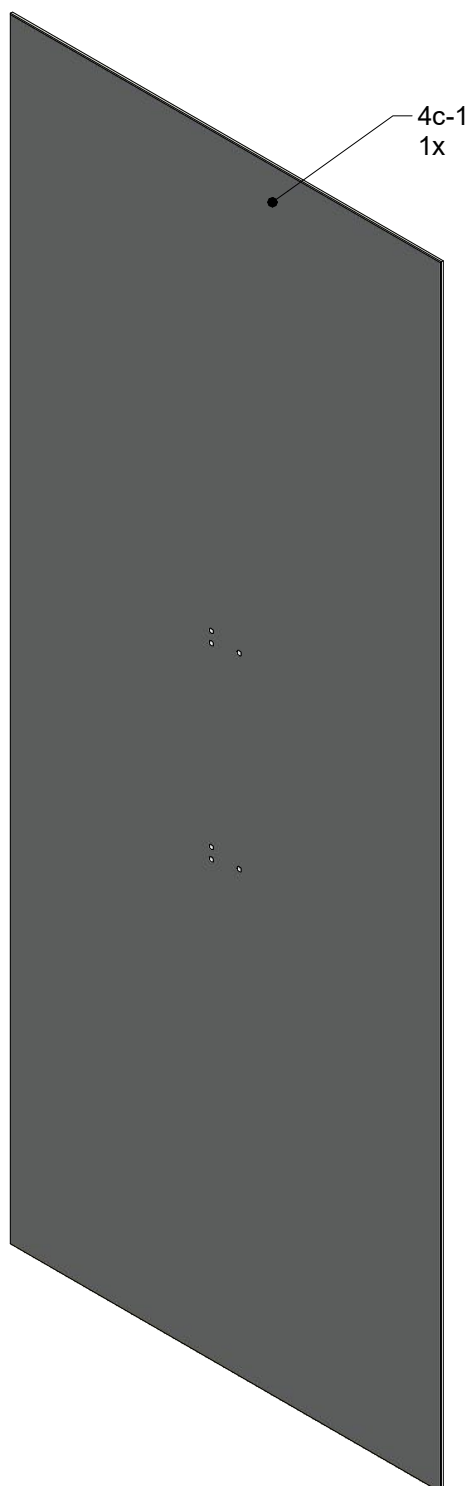
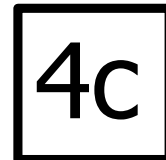




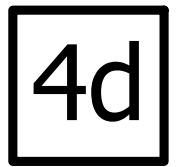
# Side glass set (handle)

SPIRIT version without hole for handle PELLET

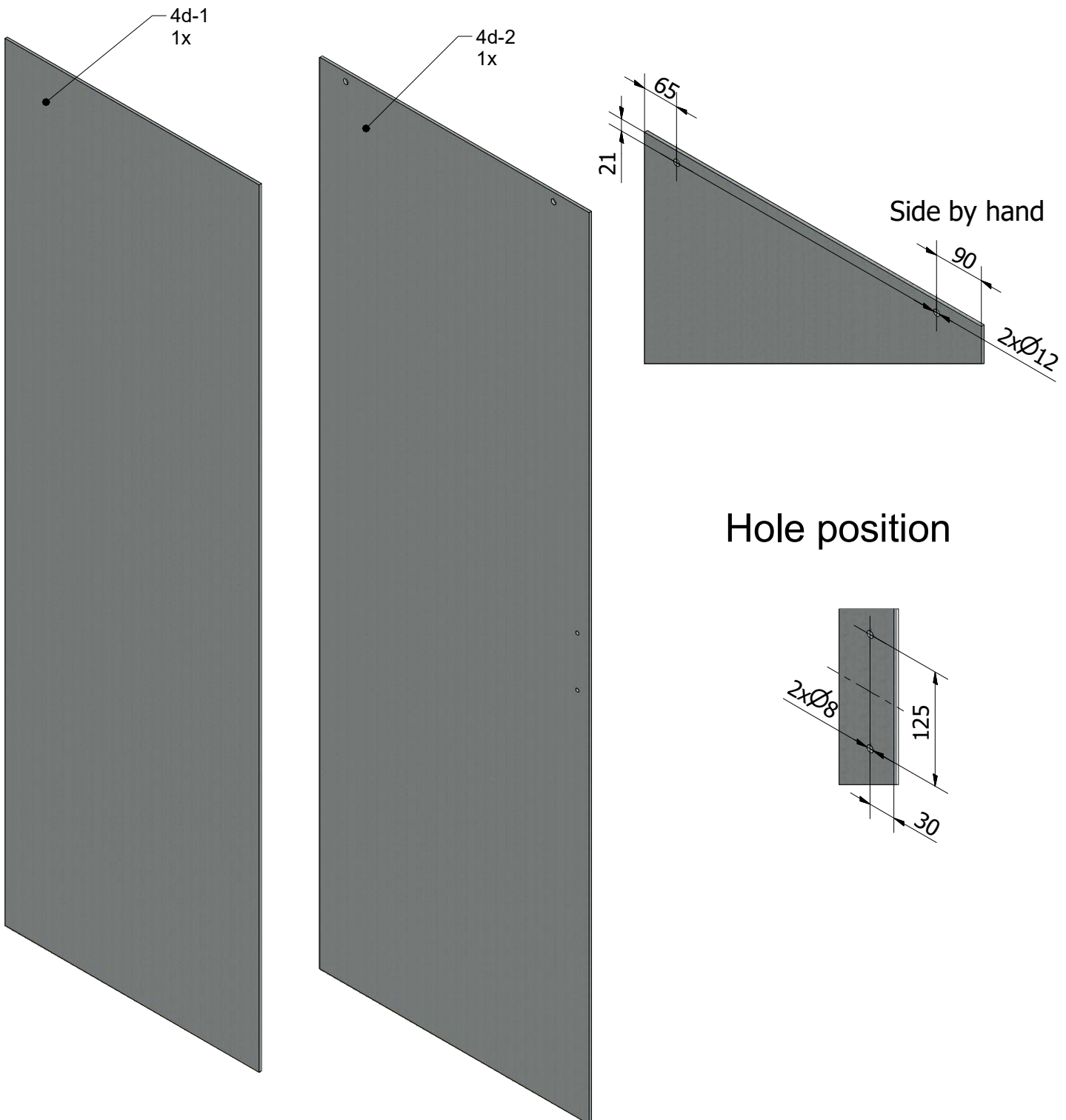
Tray depth	COMFORT GREY	SPIRIT GREY	COMFORT WHITE	SPIRIT WHITE	Pc
677 mm	VI54001	VI51201	VI54101	VI51301	1x
777 mm	VI54002	VI51202	VI54102	VI51302	1x
877 mm	VI54003	VI51203	VI54103	VI51303	1x



# Front glass door set



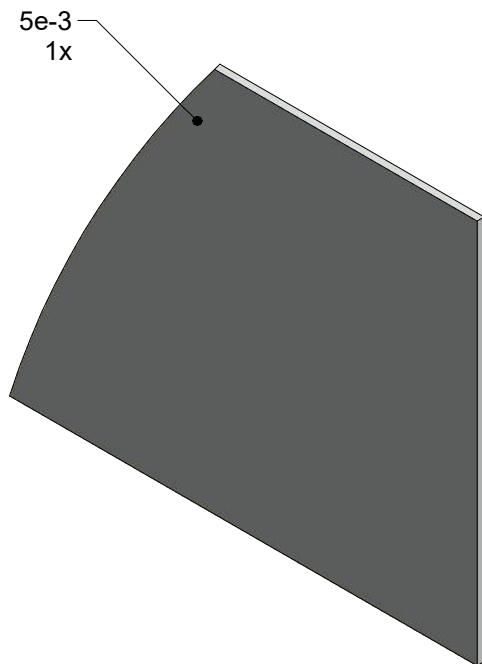
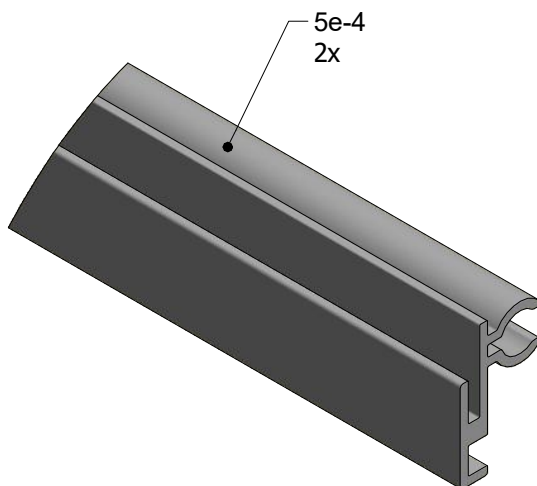
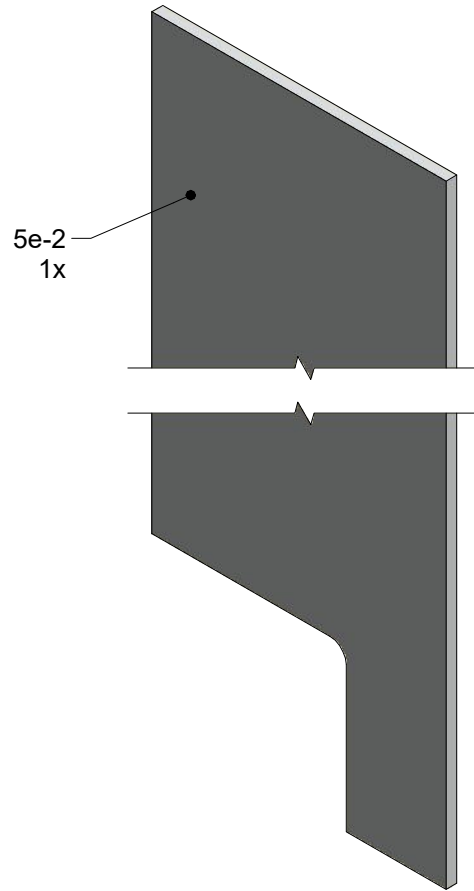
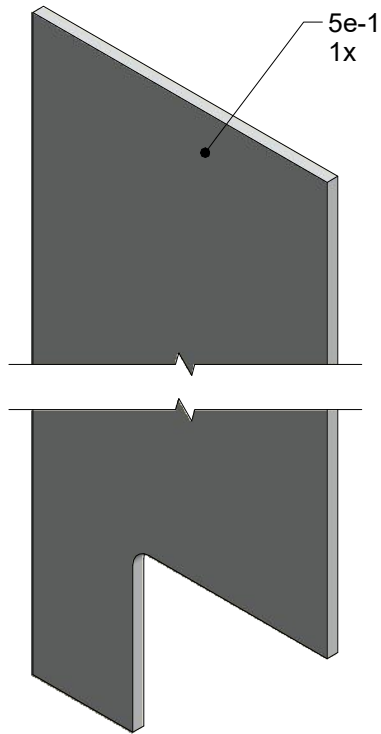
Tray width	TRANSPARENT	INTIMA	Pc
1160 mm	VI50001	VI50101	1x
1360 mm	VI50002	VI50102	1x
1560 mm	VI50003	VI50103	1x
1660 mm	VI50004	VI50104	1x



# Plastic cover set

5

Tray width	COMFORT SPIRIT	Pc
1160 mm	VI60001	1x
1360 mm	VI60002	1x
1560 mm	VI60003	1x
1660 mm	VI60004	1x



Parts to be used		
Qty.	Number	BOX
7	1-1	1
1	2-1	2
1	0a-1	0a

A1=30-250mm

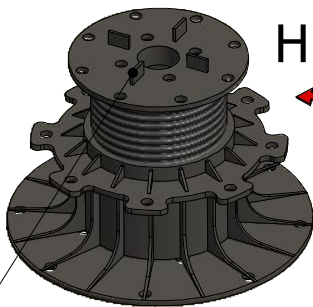
A2=30-250mm

B=30-50mm

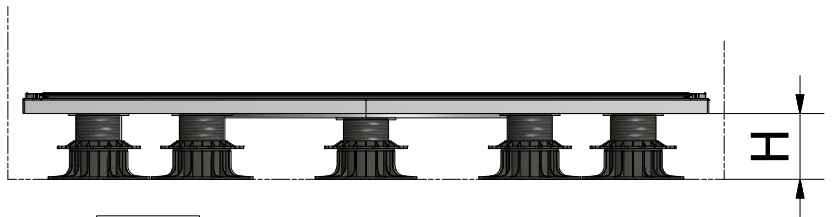


**A1**

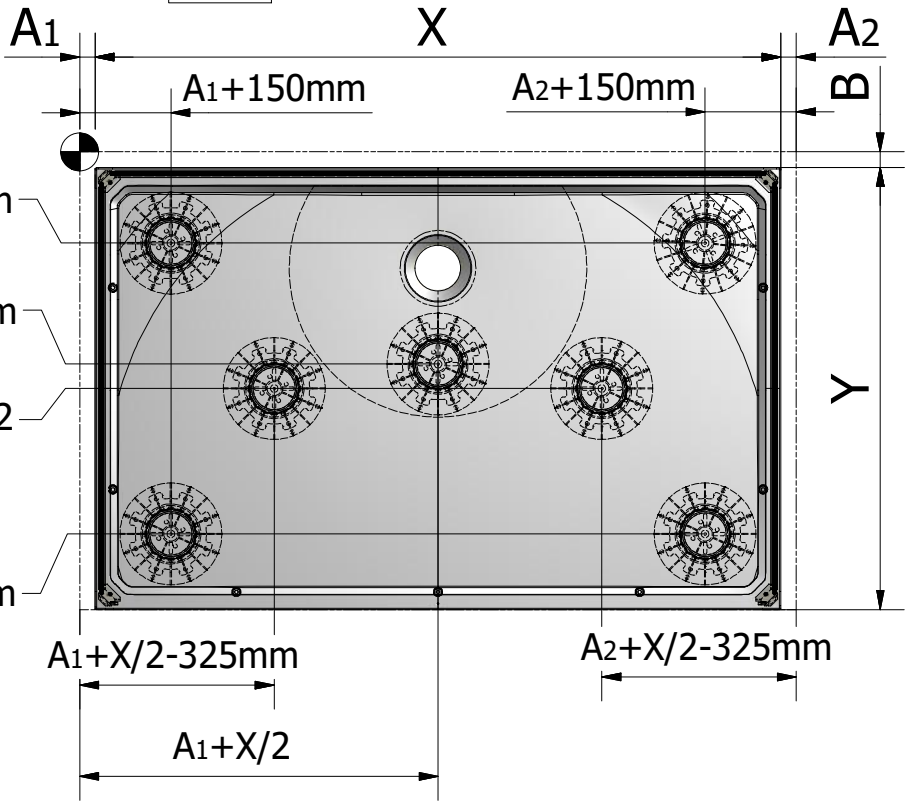
88mm <math>H</math> <math>< 130\text{mm}</math>



cut 4x plastic  
before installation

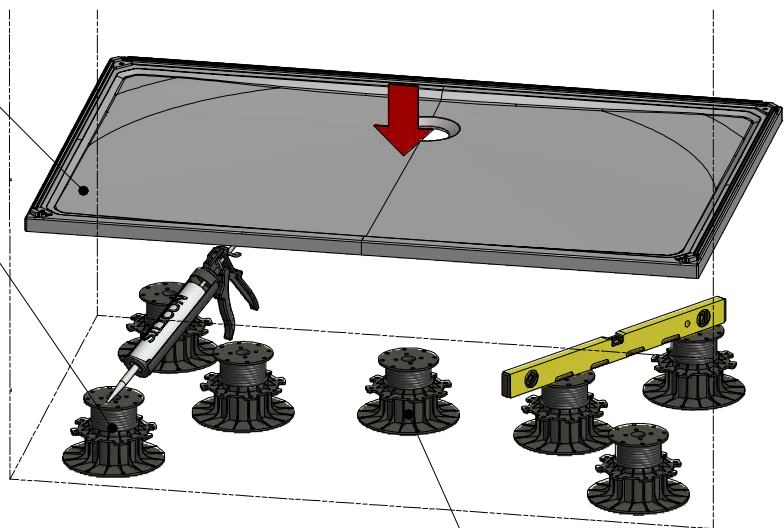


**A2**



2-1

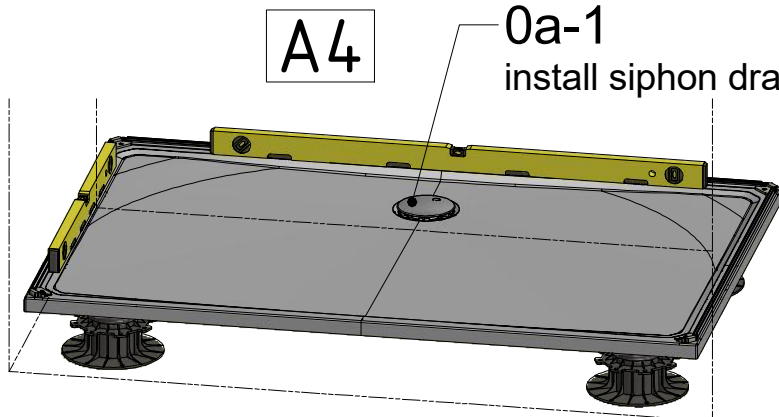
7x 1-1  
tray - support  
and  
support - floor  
fixed by SILICONE



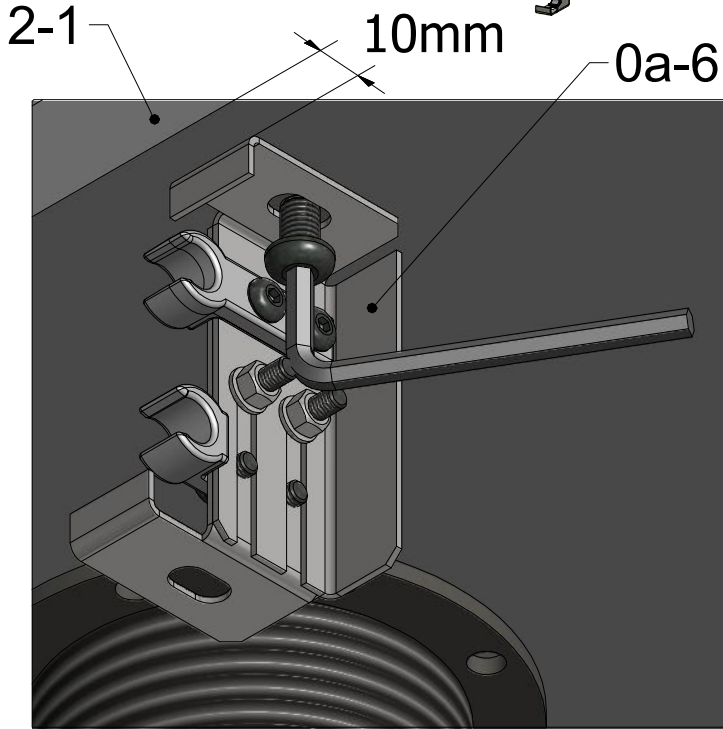
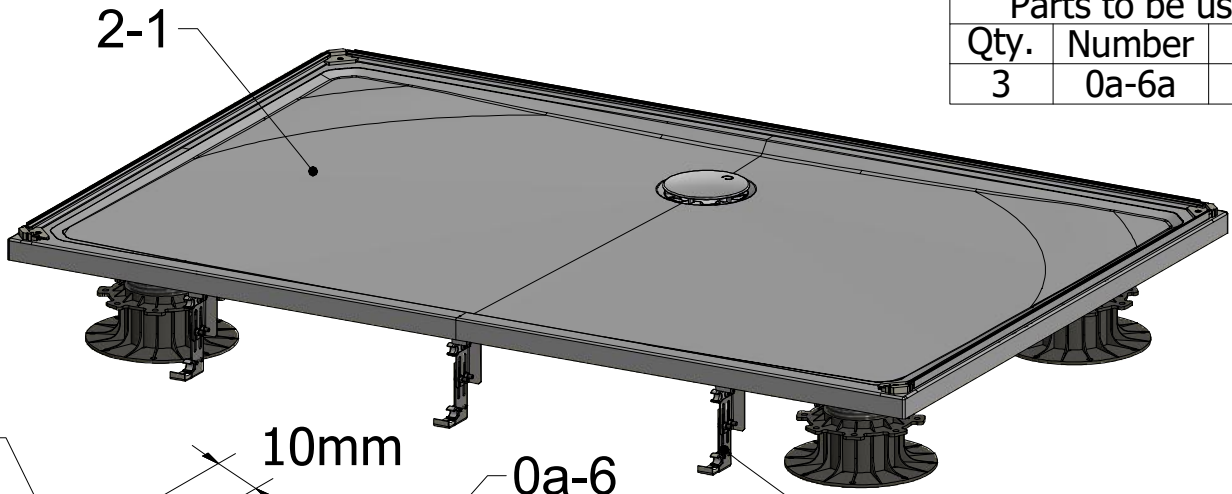
**A3**

**A4**

0a-1  
install siphon drain



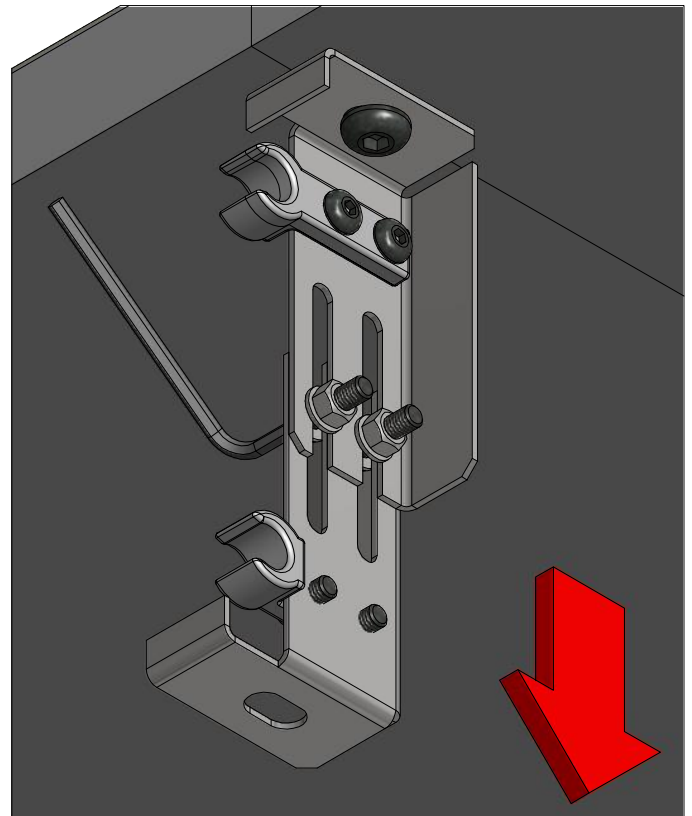
Parts to be used		
Qty.	Number	BOX
3	0a-6a	0a



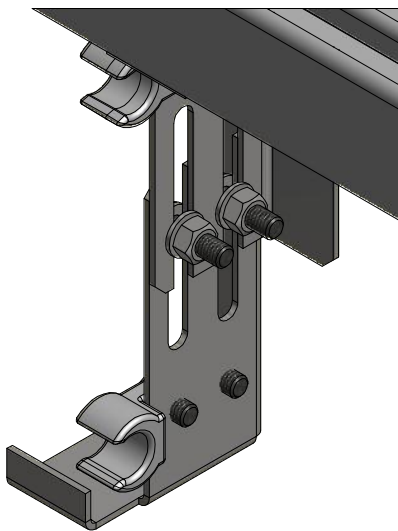
B1

3x

B2 3x



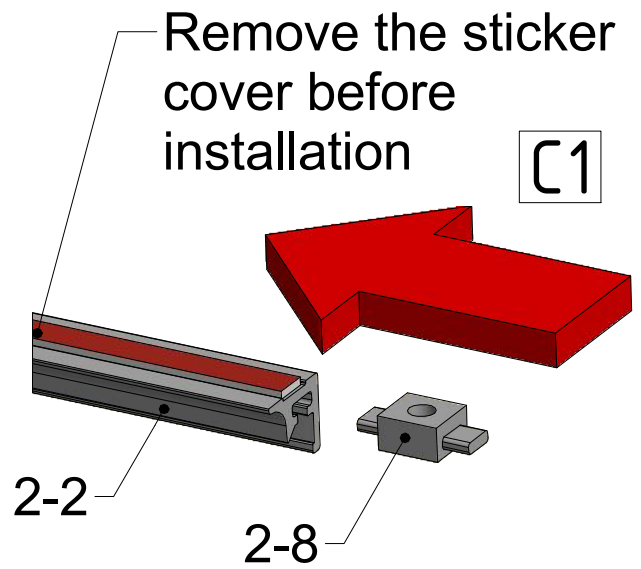
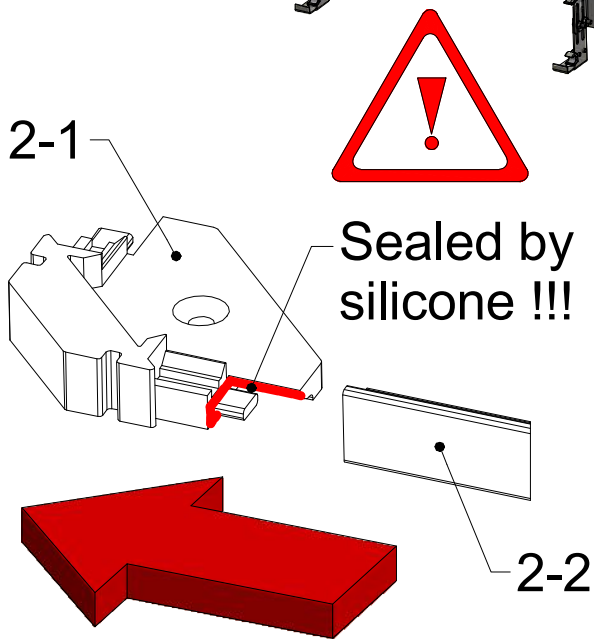
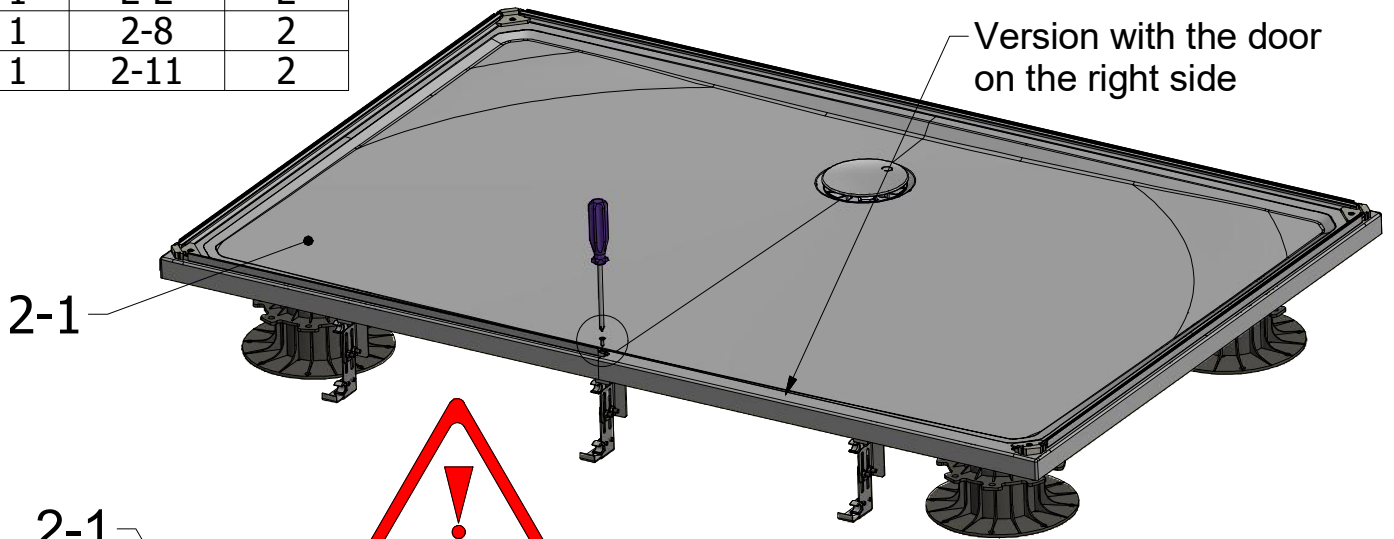
B3 3x



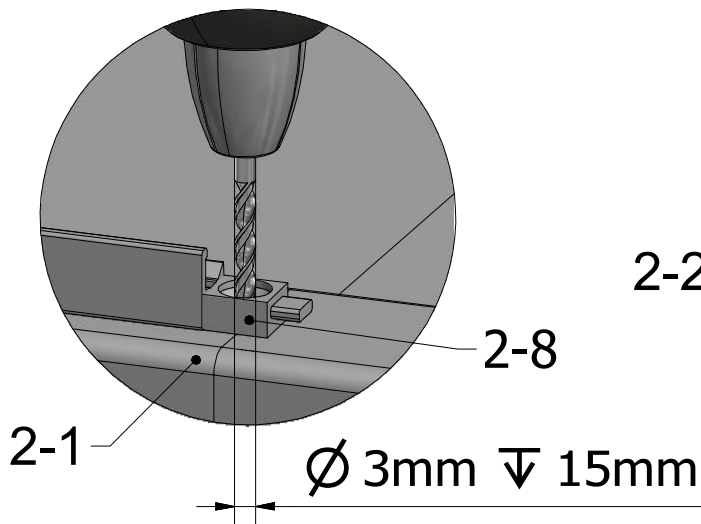
set the length according to the tray-floor distance

For the door on the right side - install the profile the left  
 For the door on the left side - install the profile the right

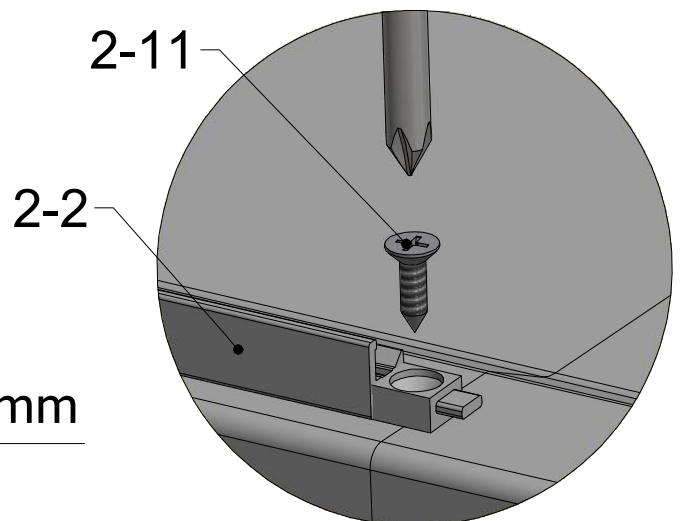
Parts to be used		
Qty.	Number	BOX
1	2-2	2
1	2-8	2
1	2-11	2



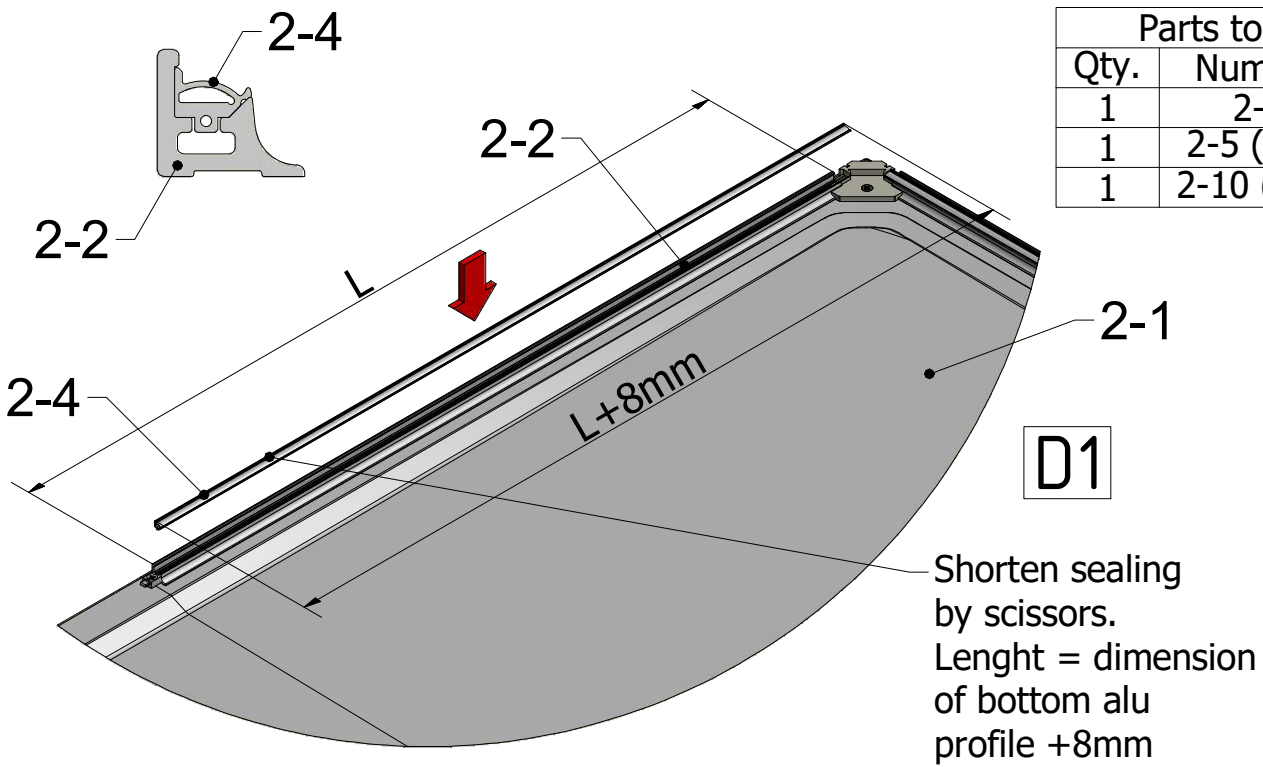
C2



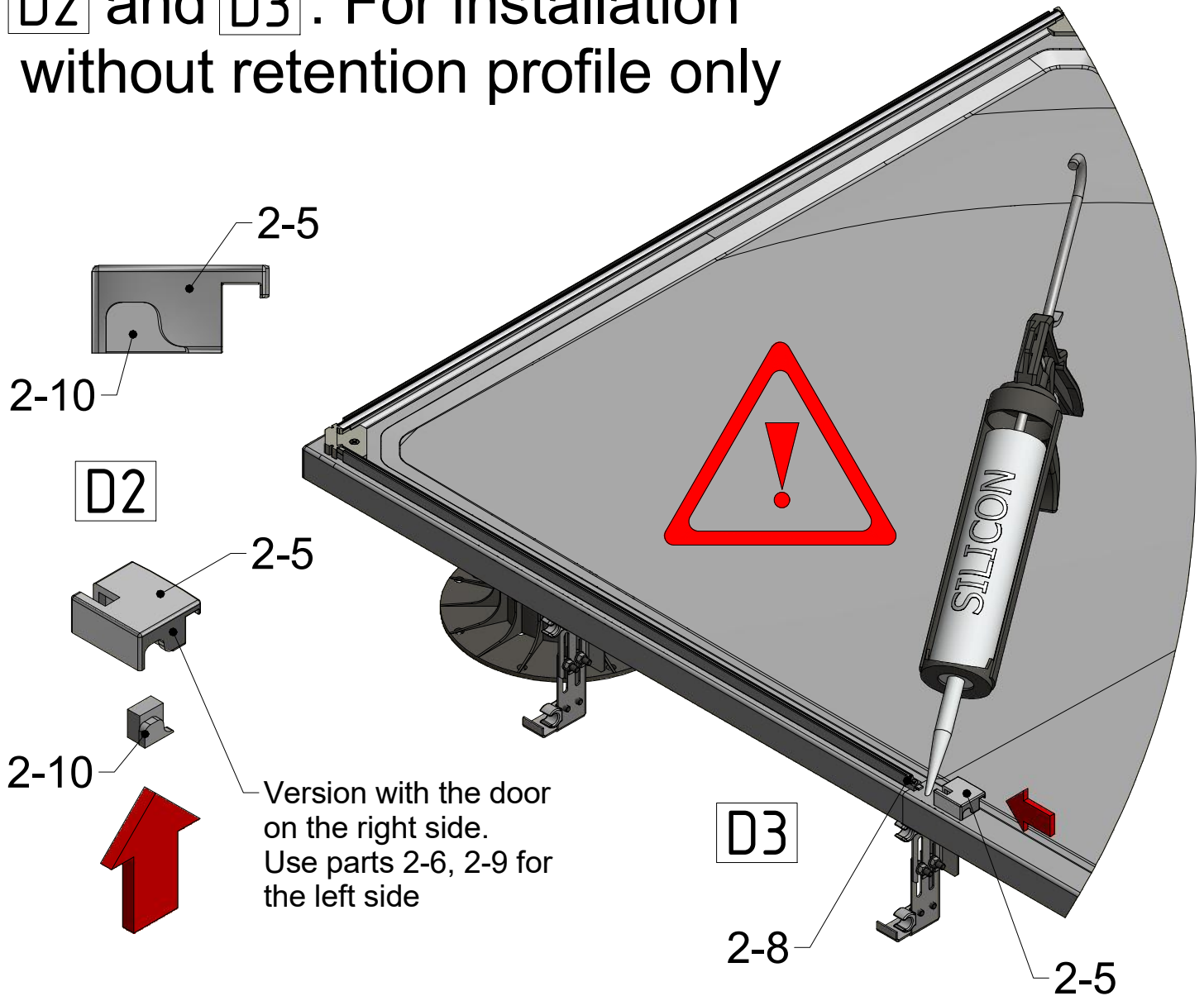
C3



Parts to be used		
Qty.	Number	BOX
1	2-4	2
1	2-5 (2-6)	2
1	2-10 (2-9)	2

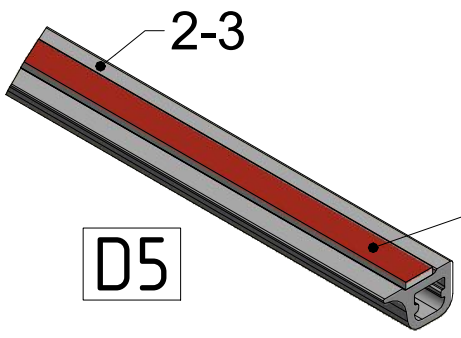
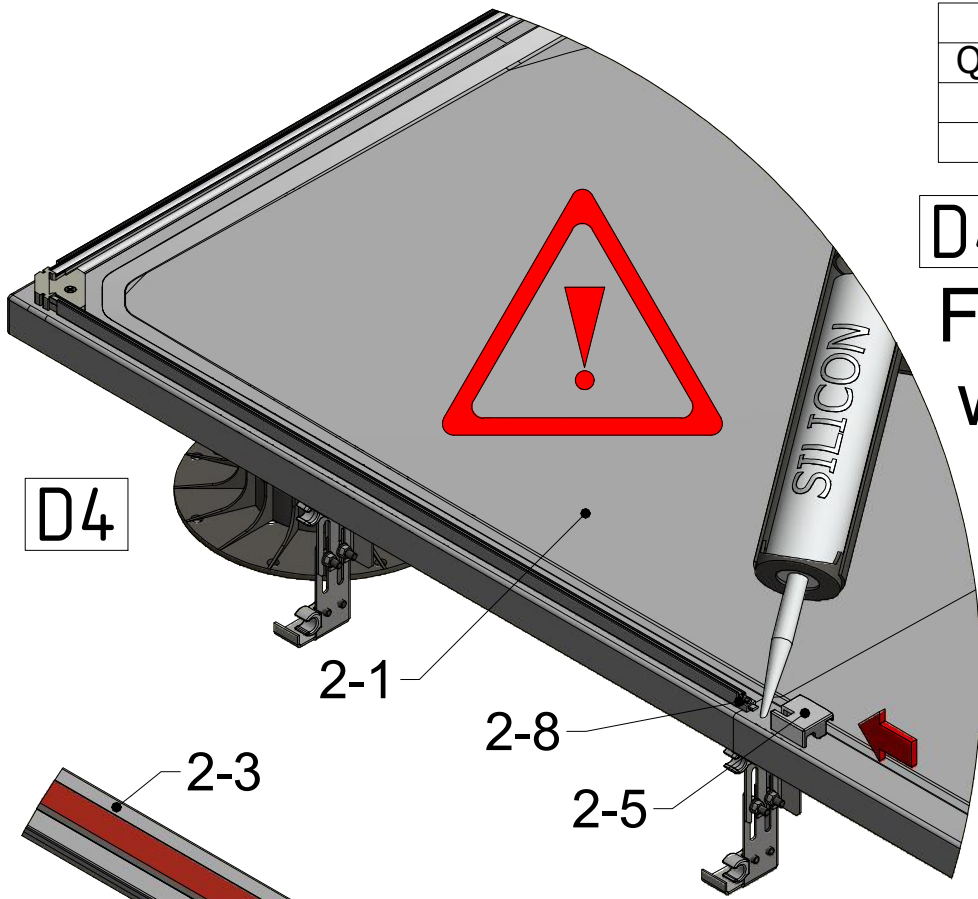


**D2** and **D3** : For installation without retention profile only

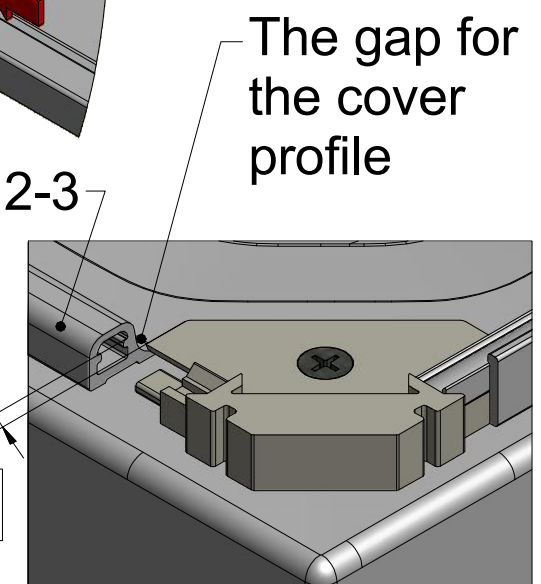


Parts to be used		
Qty.	Number	BOX
1	2-5 (2-6)	2
1	2-3	2

**D4** , **D5** and **D6** :  
For installation  
with retention  
profile only

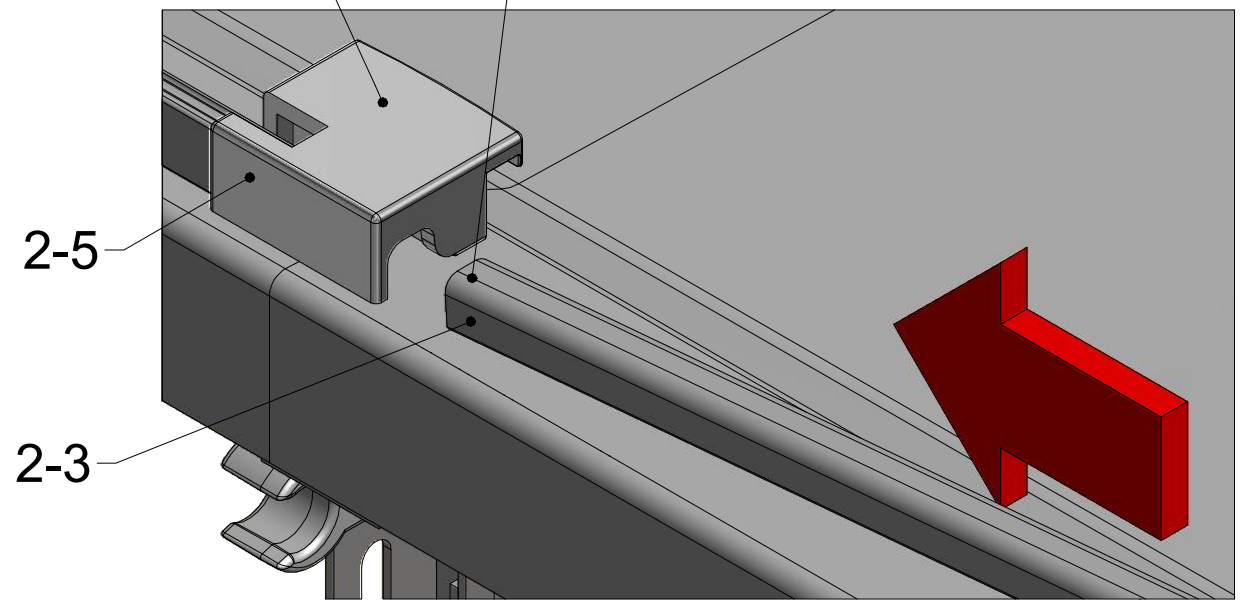


Remove  
the sticker  
cover before  
installation



Version with  
the door  
on the right side  
(Use part 2-6 for  
the left side)

Insert the profile to the end and stick  
it parallel to the edge of the tray





E2

2x

Parts to be used		
Qty.	Number	BOX
1	3a-1	3a
1	3a-2	3a

E1

Rivet holder  
always on the uncut  
side. (3a-1, 3a-2)

2000+H2

H2

1x Left (3a-1)  
1x Right (3a-2)

Cut with a saw  
(angle gliders)

5

L1(4)

5

2x E3

Cut with a saw  
(angle gliders)

L1(4) + 5mm

For L1(4) > 75 mm  
use 0a-7d

Left (3a-1)

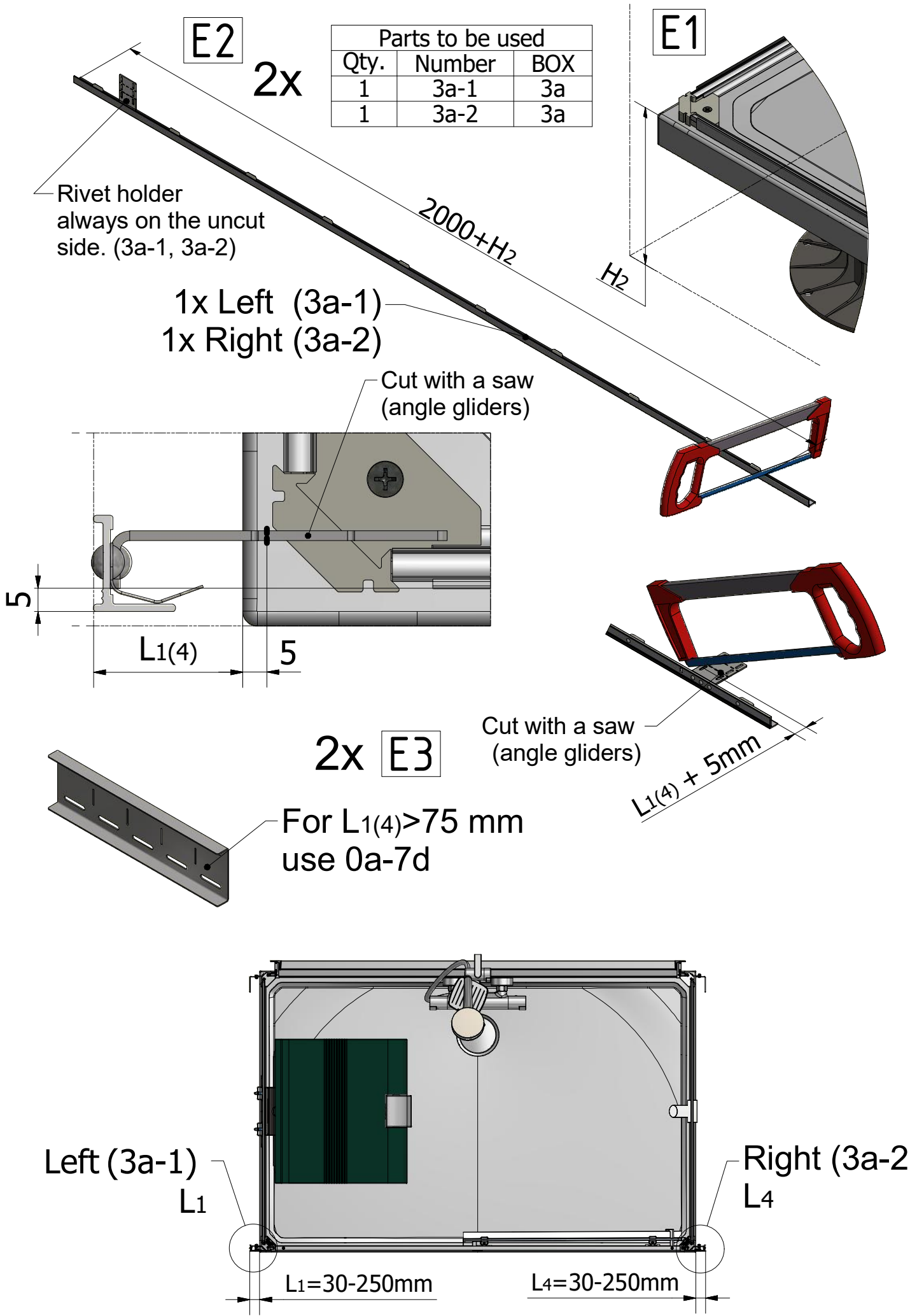
L1

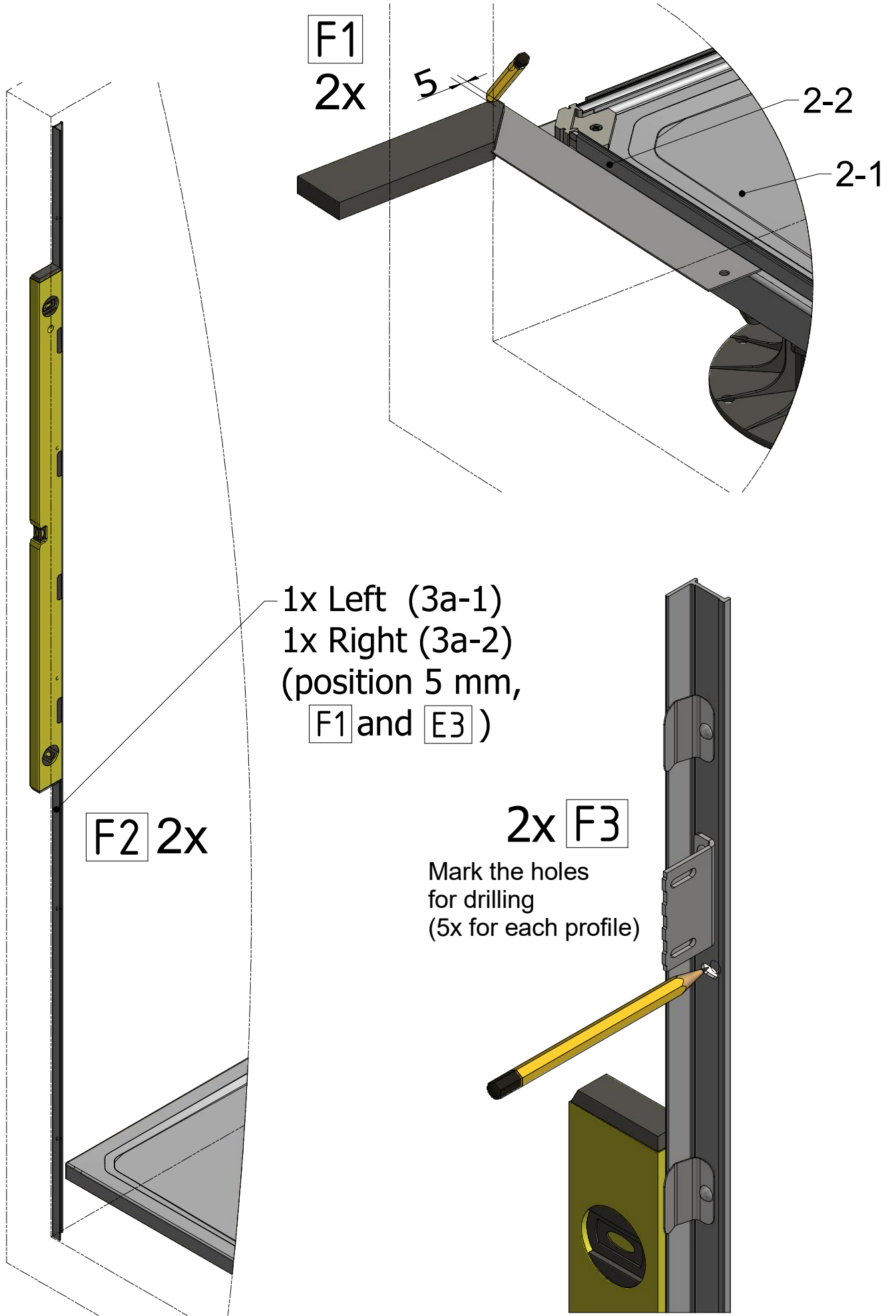
Right (3a-2)

L4

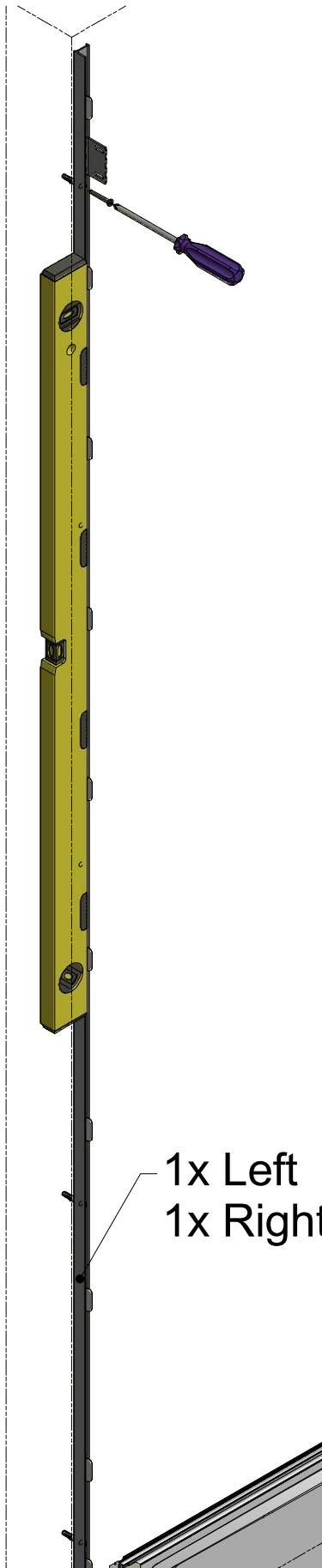
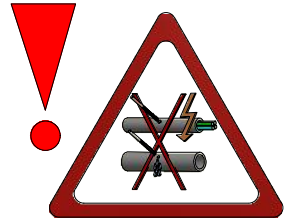
L1=30-250mm

L4=30-250mm





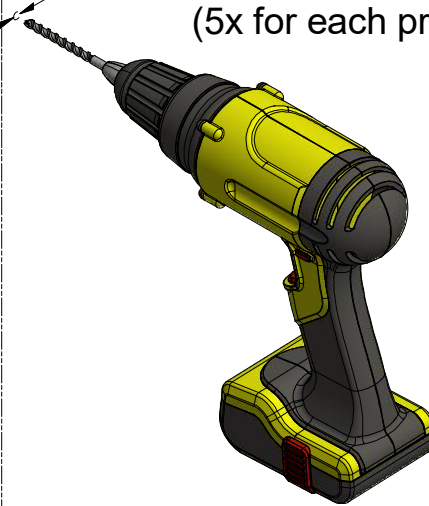
Parts to be used		
Qty.	Number	BOX
5+5	3a-8	3a
5+5	3a-9	3a



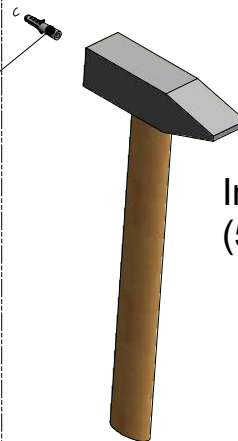
**G1**

$\phi 6 \text{ mm}$

Drill marked holes  
(5x for each profile)



3a-8



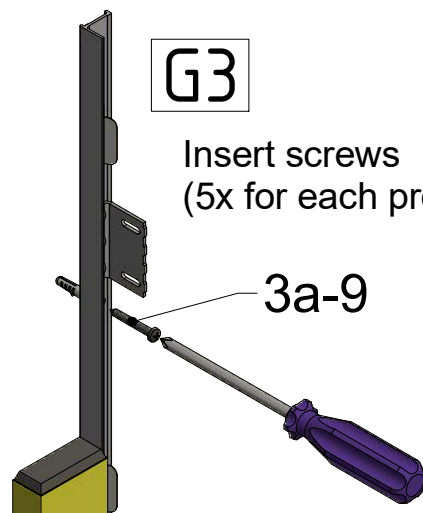
**G2**

Insert plastic anchors  
(5x for each profile)

1x Left (3a-1)  
1x Right (3a-2)

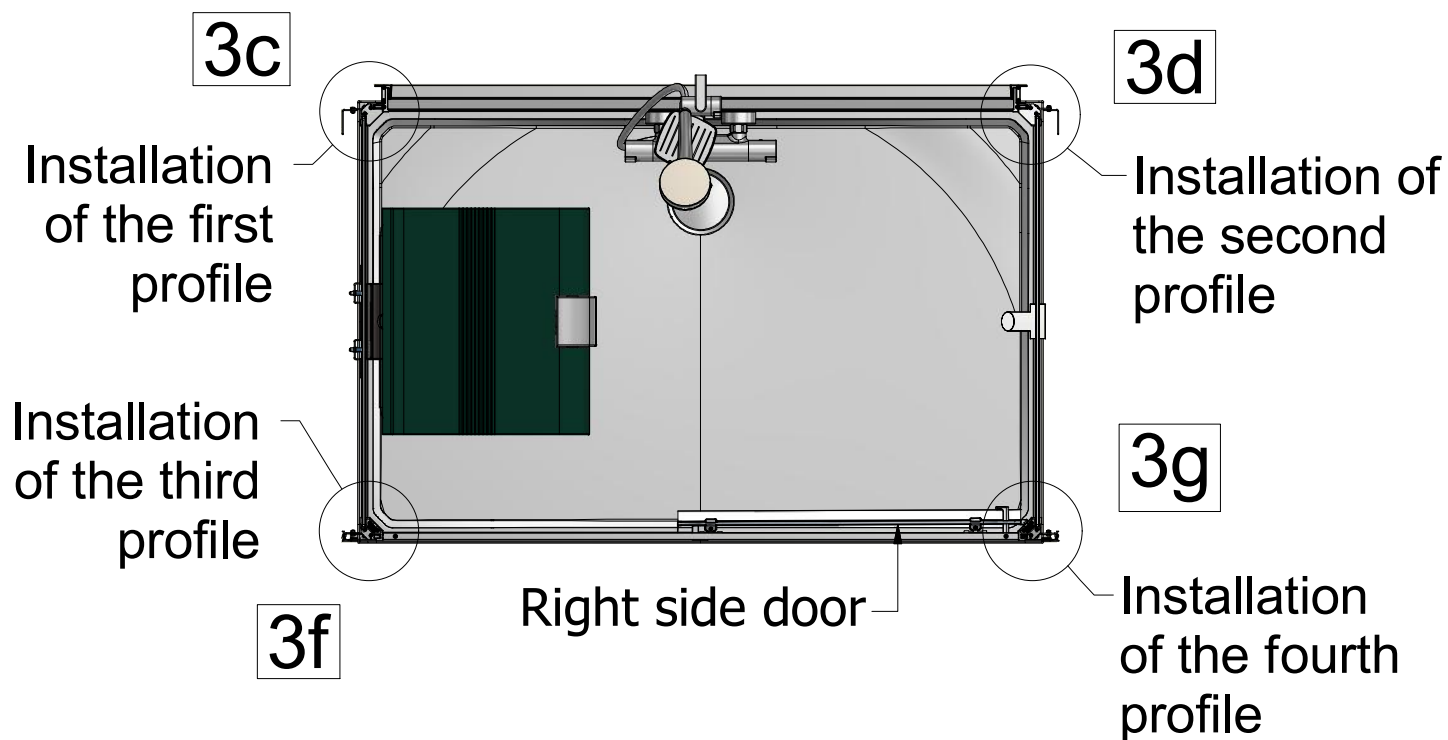
**G3**

Insert screws  
(5x for each profile)



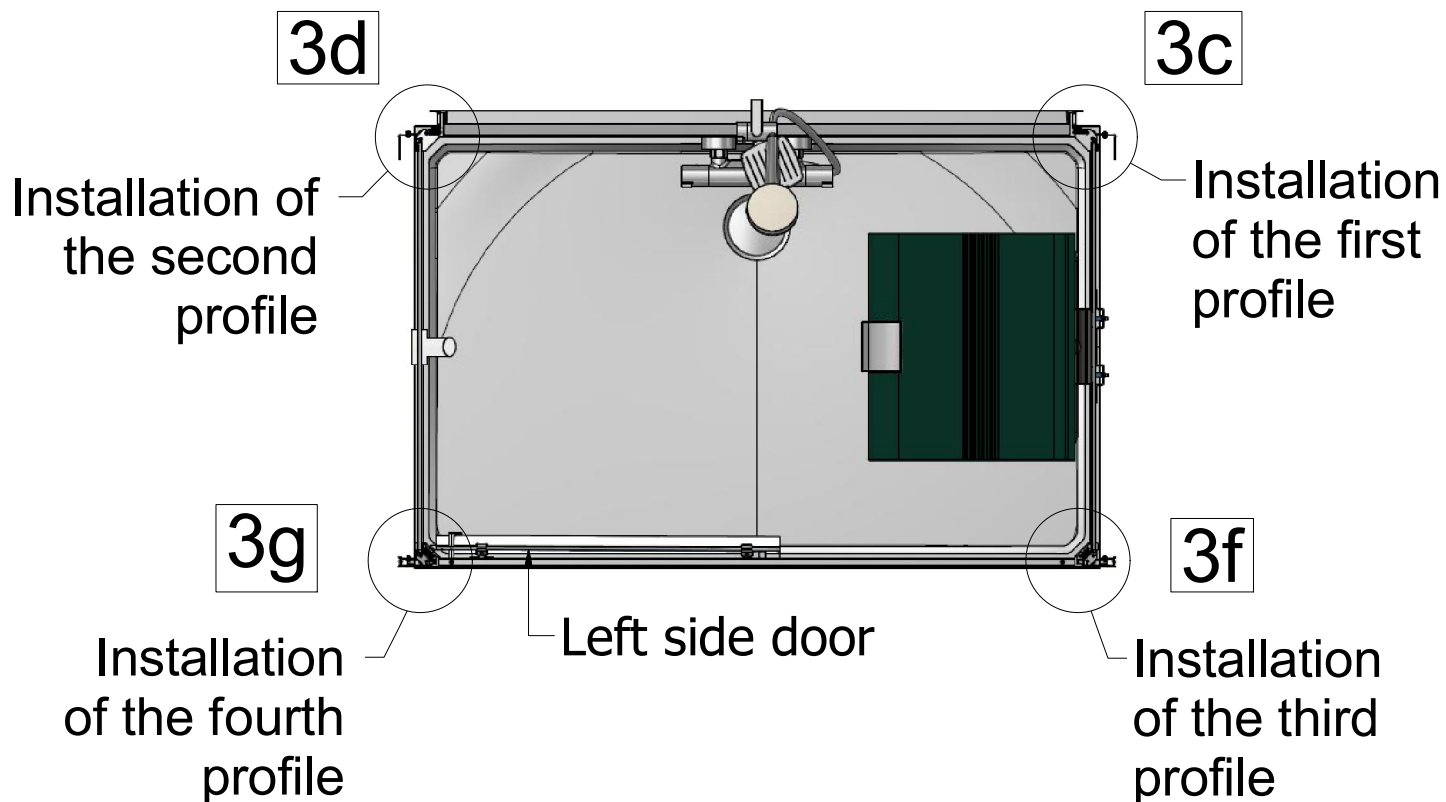
3a-9

## For the door on the right side

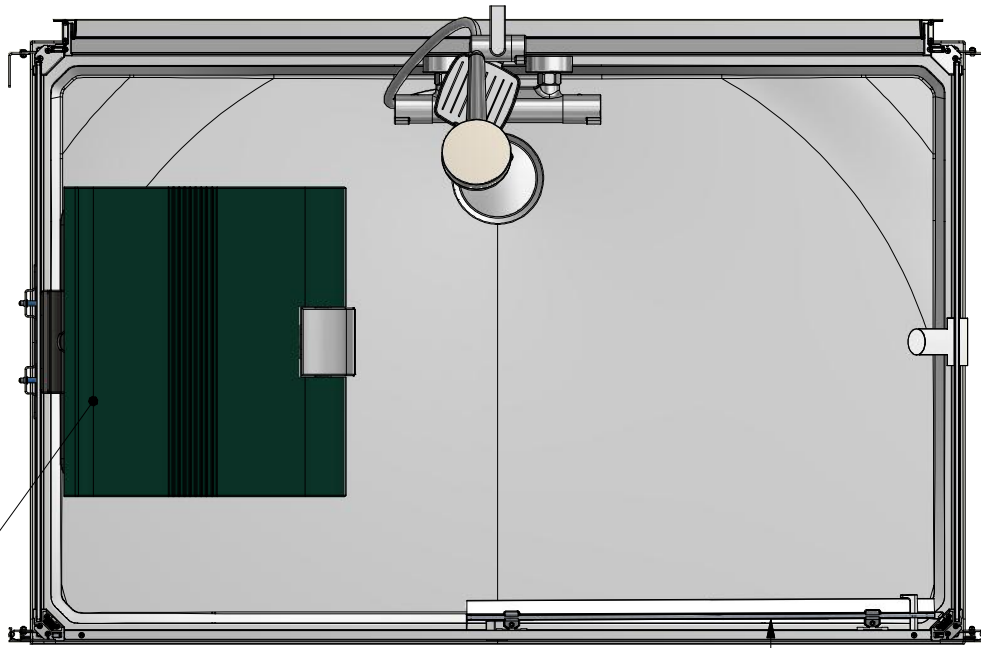


## For the door on the left side

Turn around sequence of profiles assembly



# FOR COMFORT VARIANT ONLY

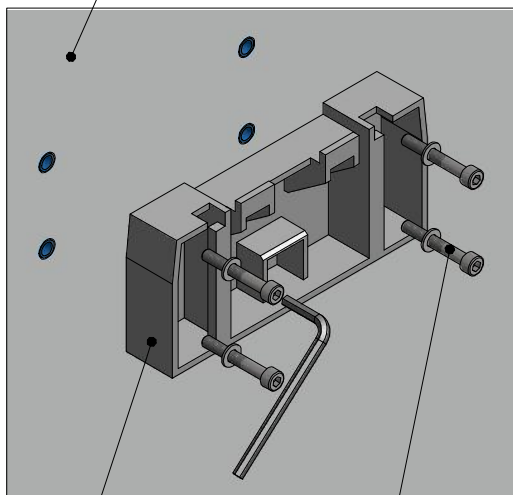


Side glass - shelf (seat)  
for all shower trays models

Right side door

Parts to be used		
Qty.	Number	BOX
1	4a-1	4b
1	0b-1	0b
1	0a-4	0a

4a-1  
Front side glass

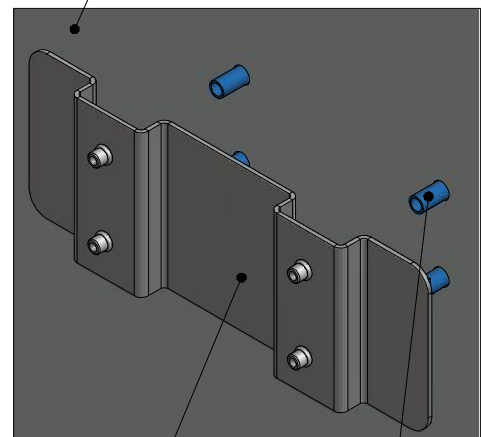


0b-1

0a-4

H1

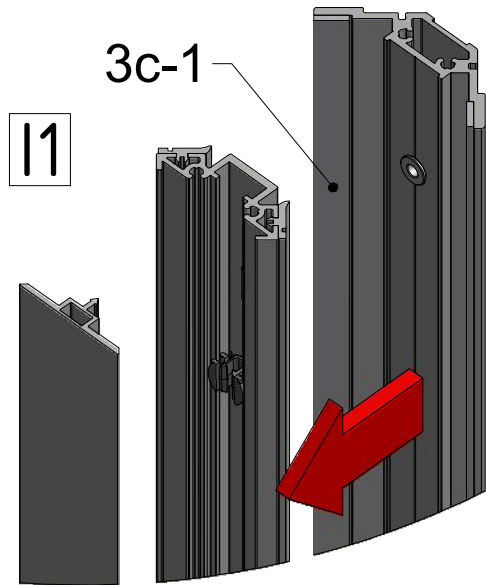
4a-1  
Back side glass



0a-4

0a-4

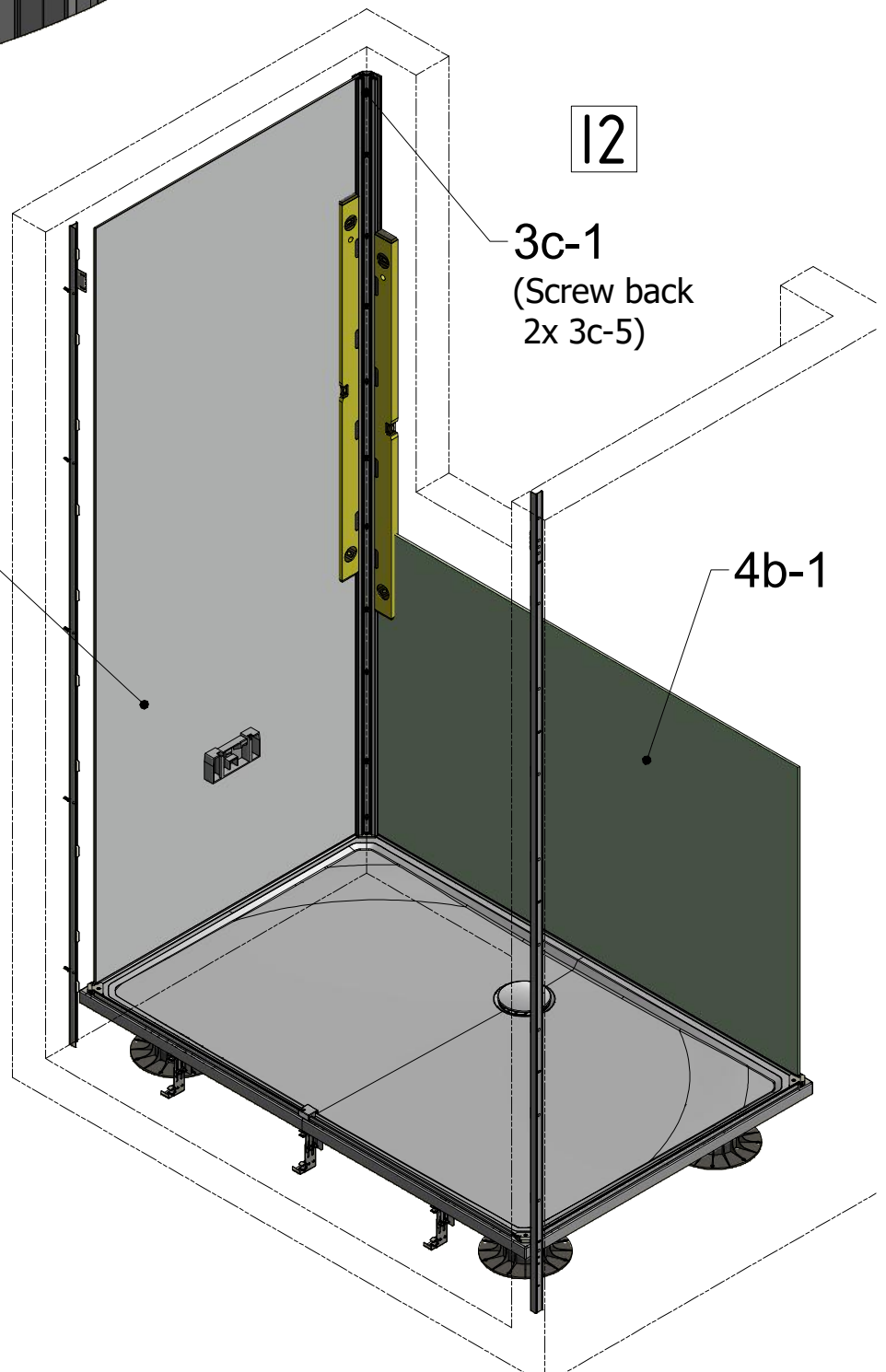
# The position of the rear wall profile



Parts to be used		
Qty.	Number	BOX
1	3c-1	3d
2	3c-5	3d

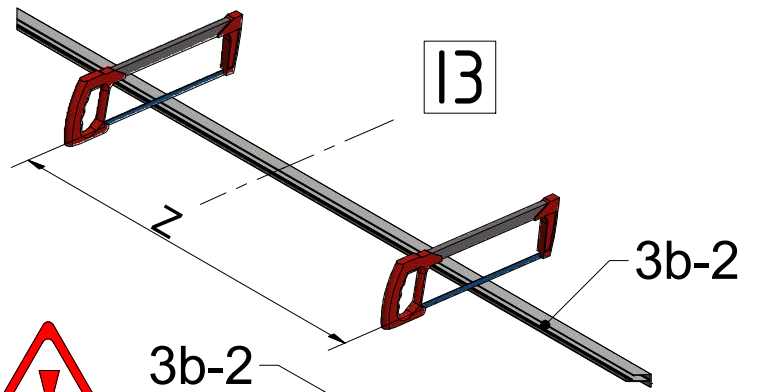
Remove cover and pressure profiles before installation  
-unscrew 2x 3c-5

Parts to be used		
Qty.	Number	BOX
1	4a-1	4a
1	4b-1	4b



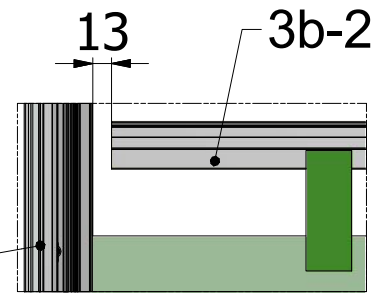
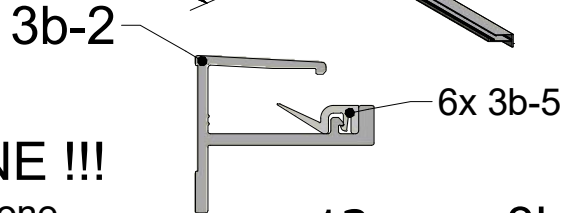
Do not use silicone, assembly only to allow the height of the back wall profile to be focused

Tray width	Z [mm]
1160	1037
1360	1237
1560	1437
1660	1537

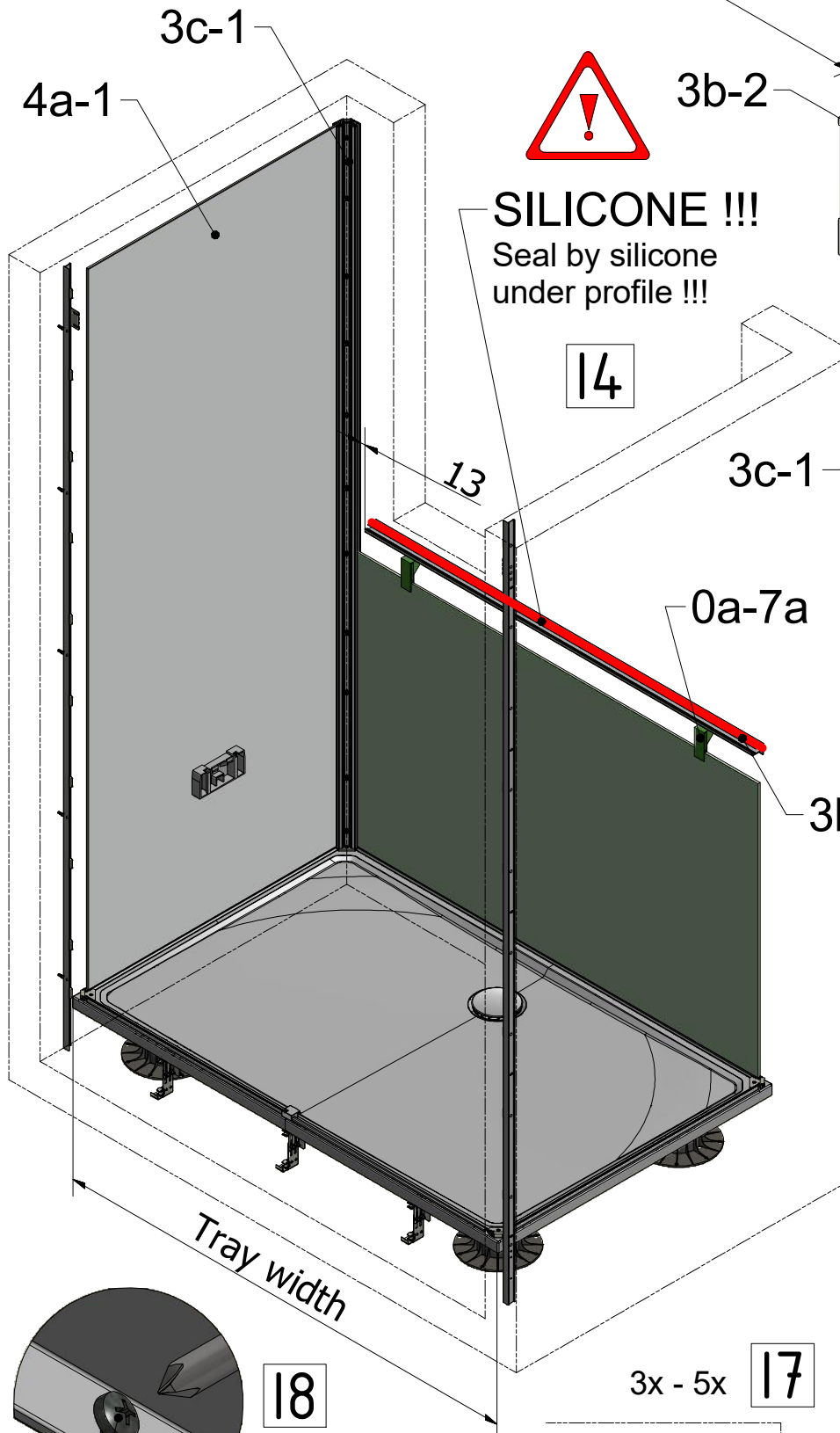


**SILICONE !!!**

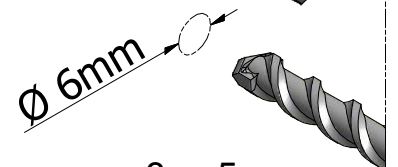
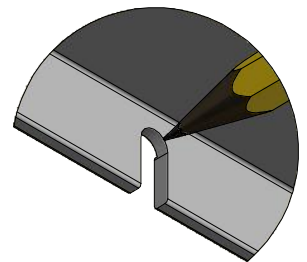
Seal by silicone under profile !!!



Parts to be used		
Qty.	Number	BOX
2	0a-7a	0a
1	3b-2	3b
6	3b-5	3b
5	3b-6	3b
5	3b-7	3b

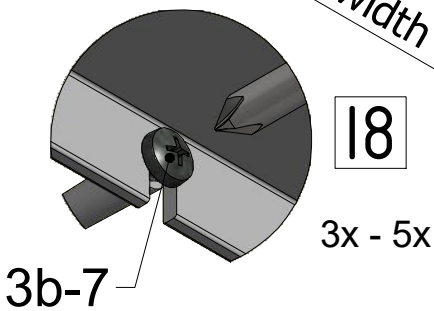
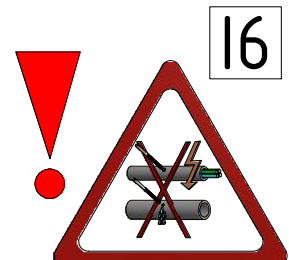
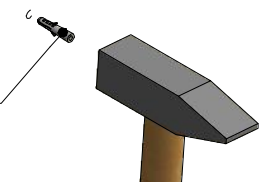


**15** 3x - 5x



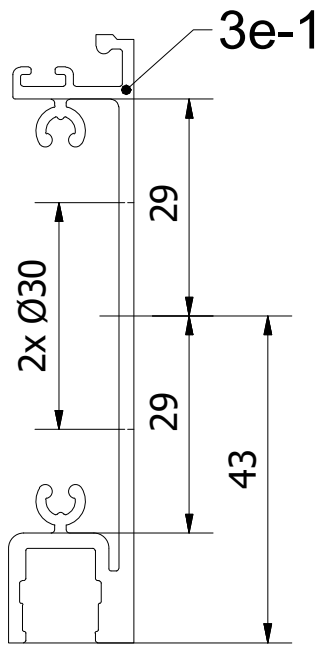
3x - 5x

3x - 5x **17**

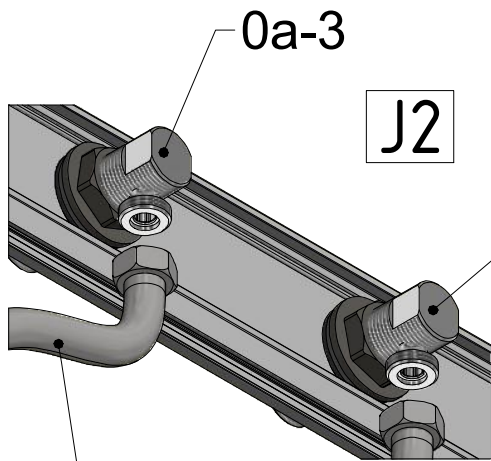
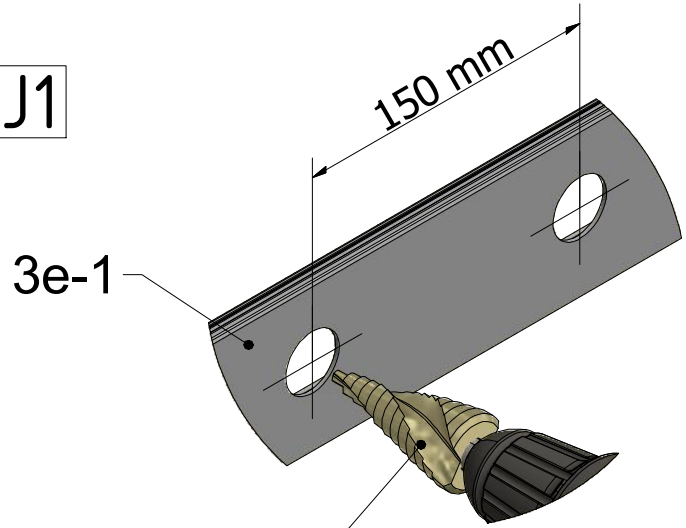


3x - 5x

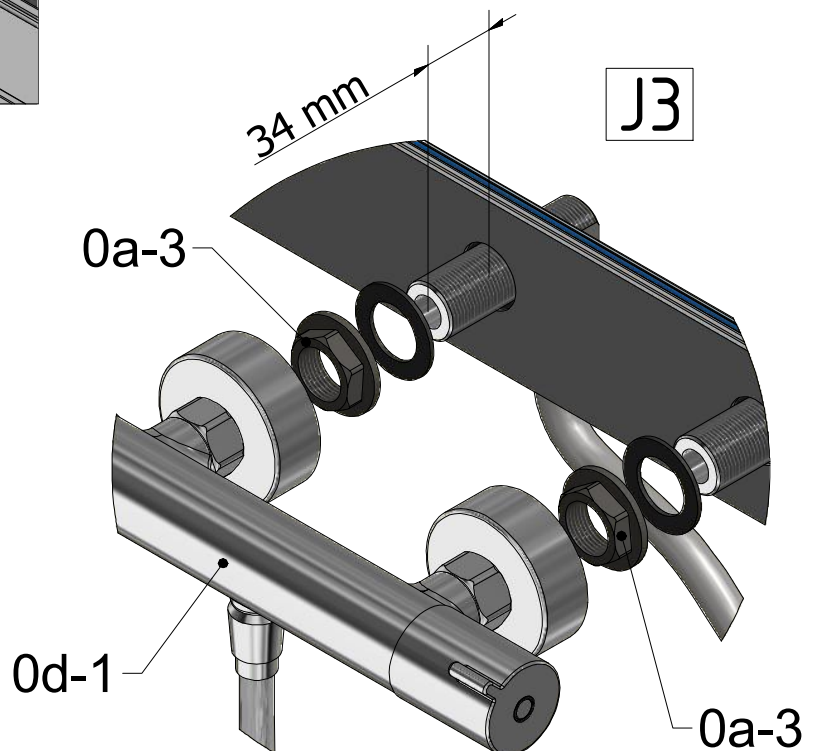
Parts to be used		
Qty.	Number	BOX
1	3e-1	3e
1	0a-3	0a
1	0d-1	0d



J1



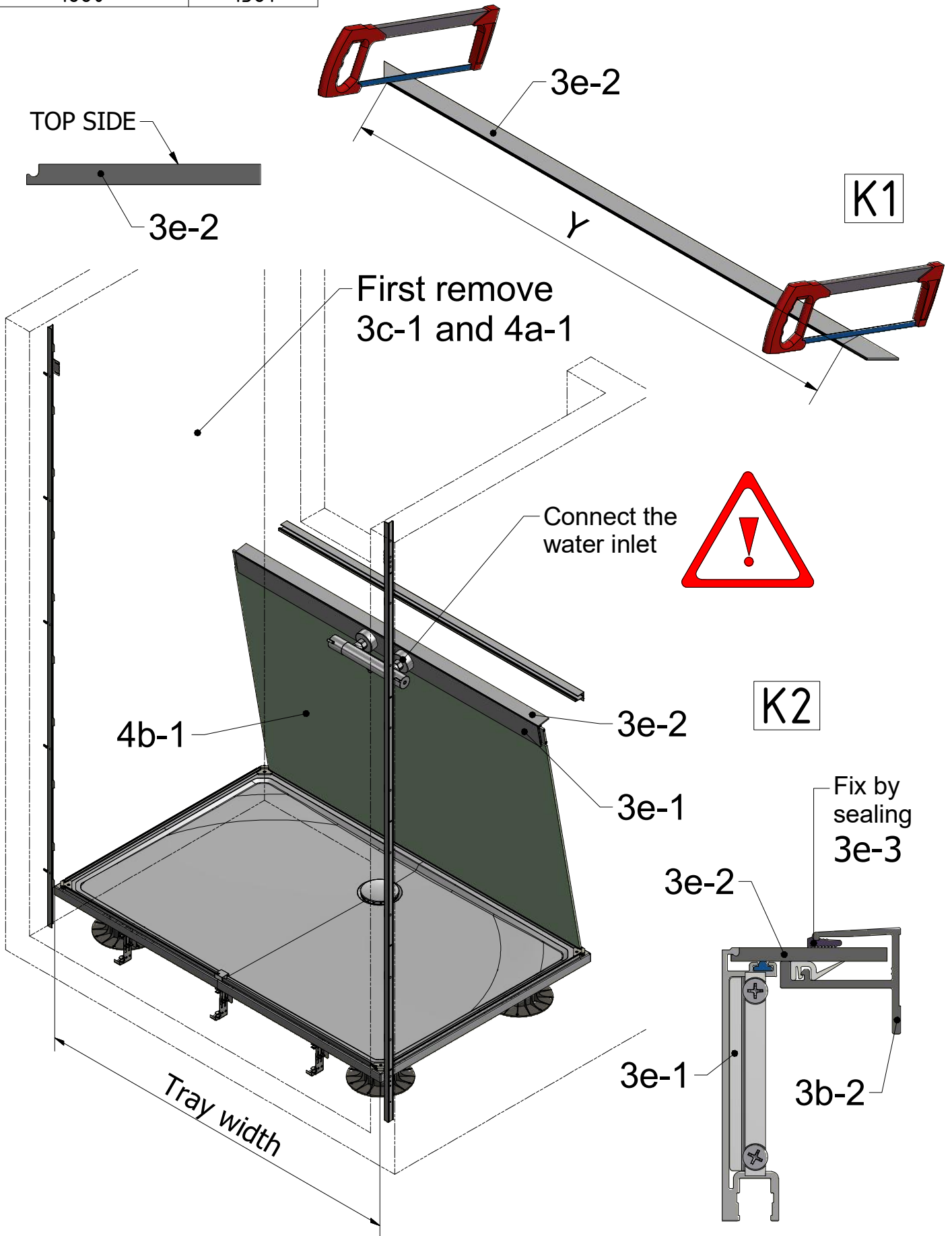
Flexi water hoses  
are not included



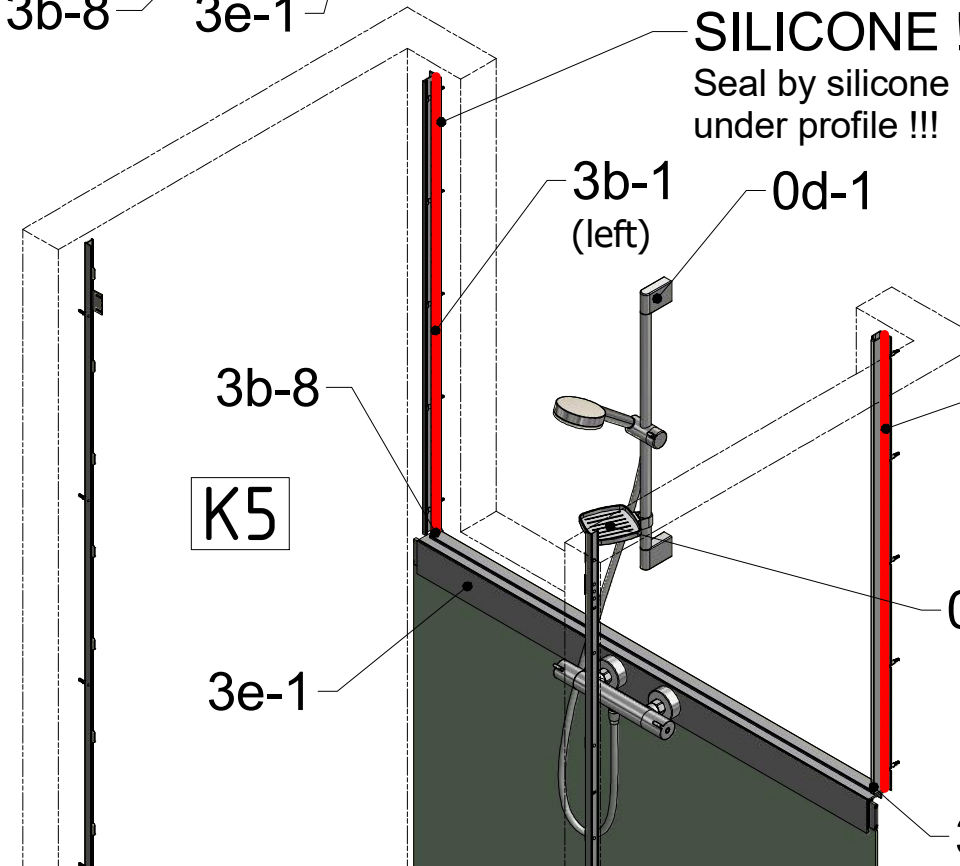
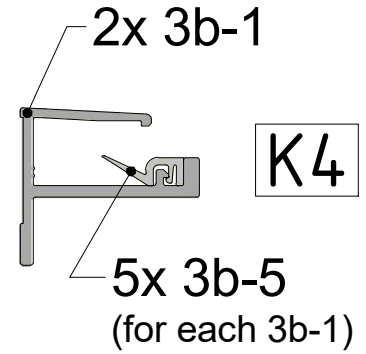
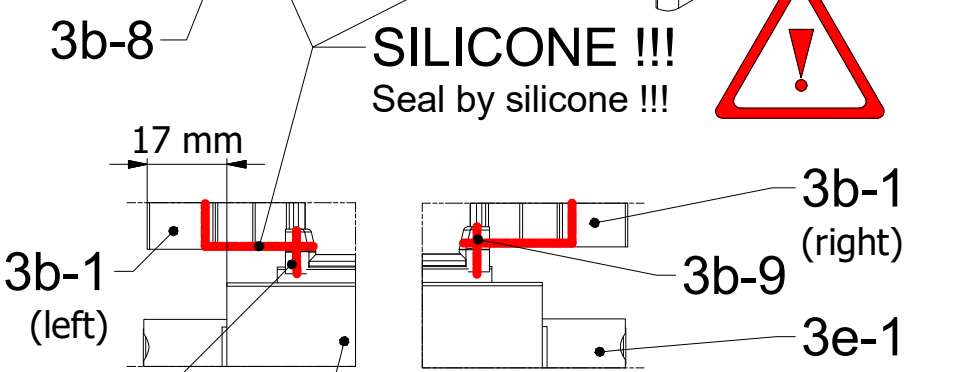
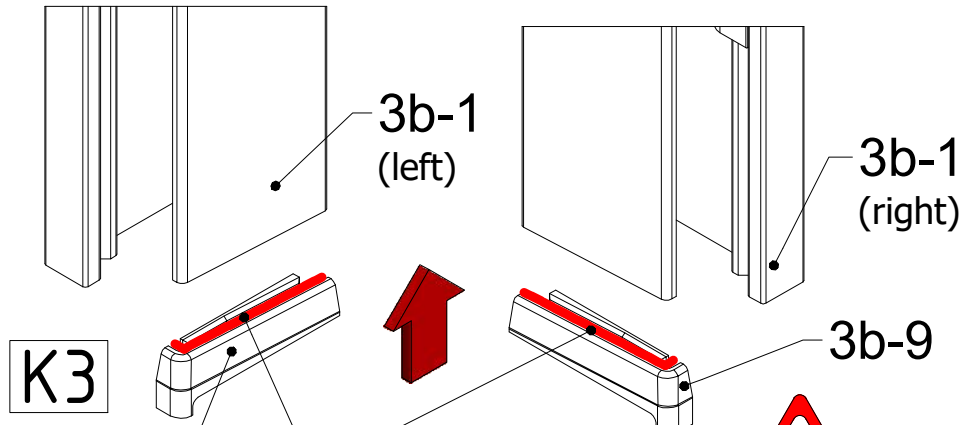


Tray width	Y [mm]
1160	1061
1360	1261
1560	1461
1660	1561

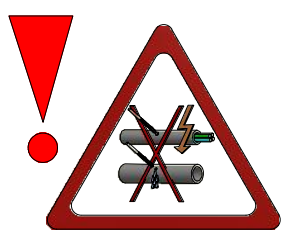
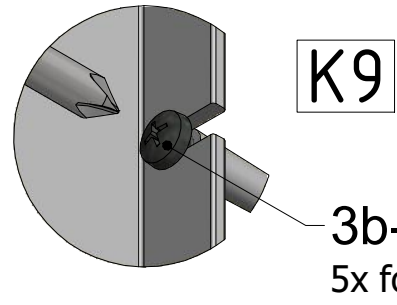
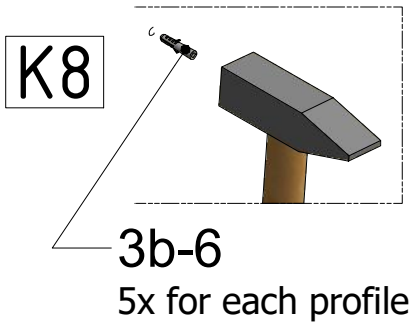
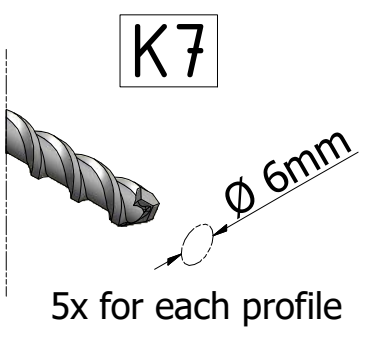
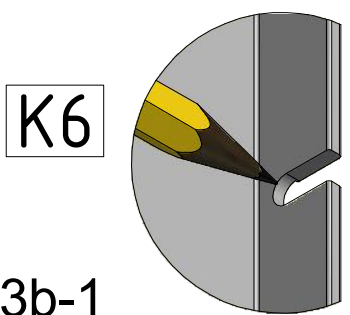
Parts to be used		
Qty.	Number	BOX
1	3e-2	3e
1	3e-3	3e
1	4b-1	4b



Parts to be used		
Qty.	Number	BOX
2	3b-1	3b
10	3b-5	3b
1	3b-8	3b
1	3b-9	3b
5	3b-6	3b
5	3b-7	3b

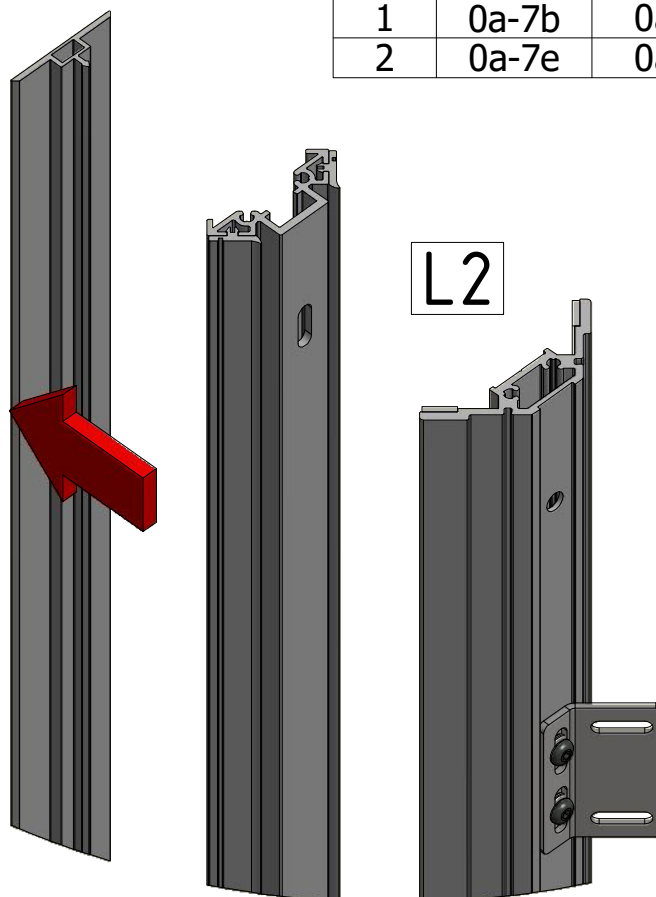
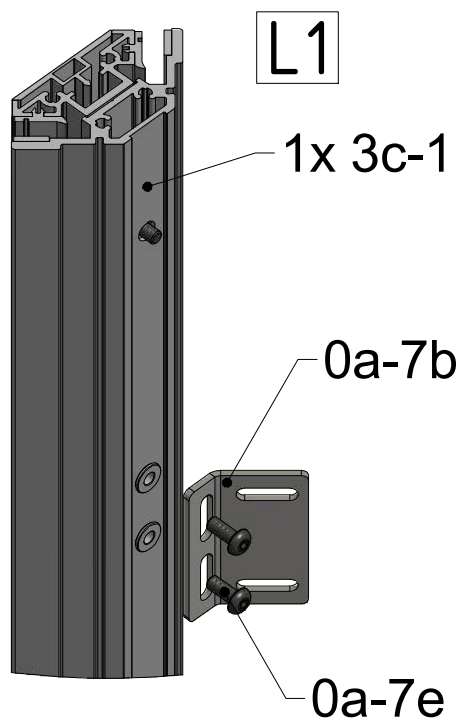


5x for each profile  
use water-level

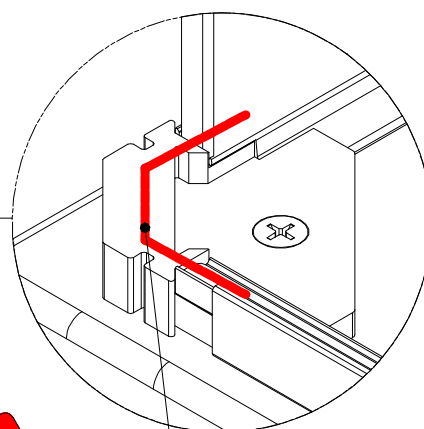
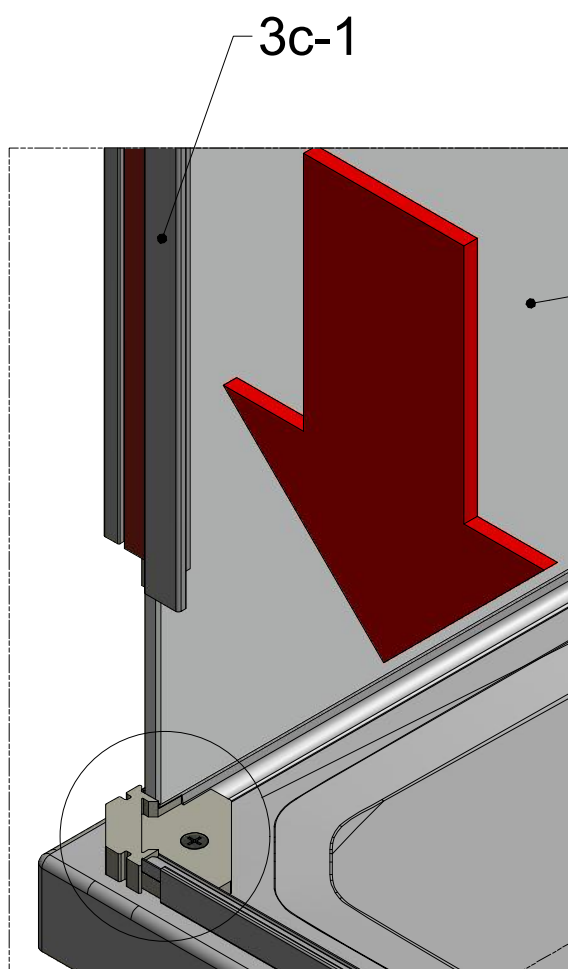


# Installation of the first profile

Parts to be used		
Qty.	Number	BOX
1	3c-1	3c
1	0a-7b	0a
2	0a-7e	0a

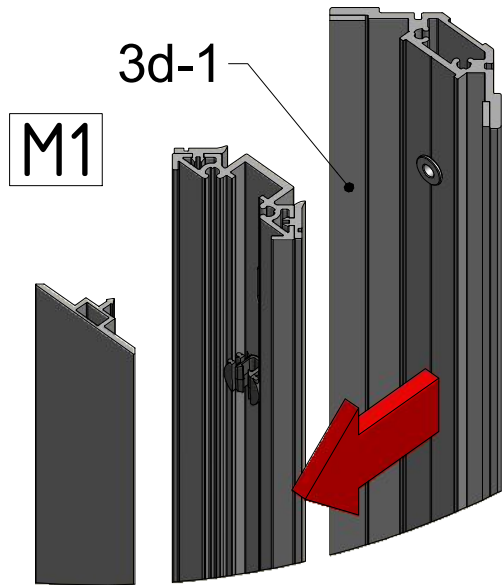


Remove cover and pressure profiles before installation  
- unscrew 2x 3c-3

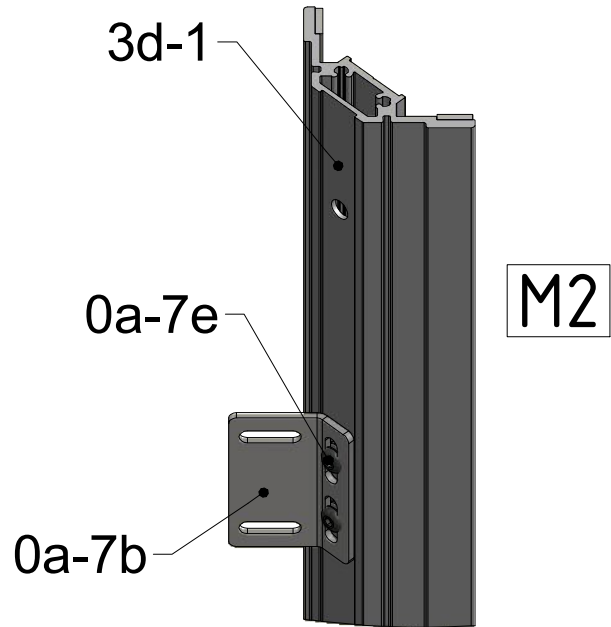


**SILICONE !!!**  
Seal by silicone !!!

# Installation of the second profile



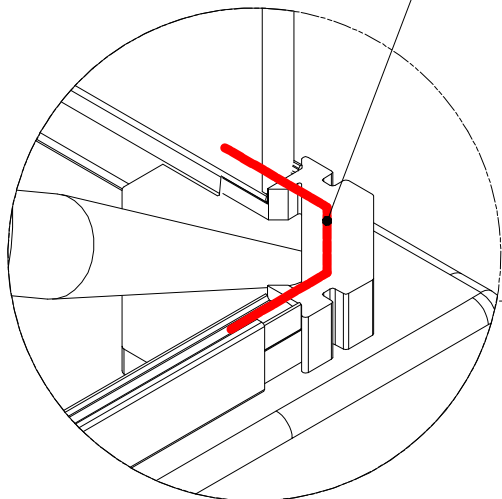
Parts to be used		
Qty.	Number	BOX
1	3d-1	3d
1	0a-7b	0a
2	0a-7e	0a



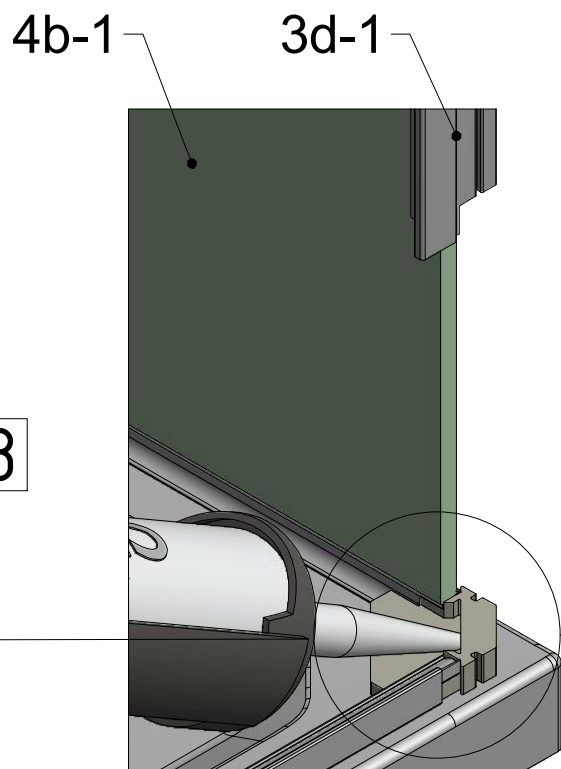
Remove cover and pressure profiles before installation  
 -unscrew 2x 3d-3



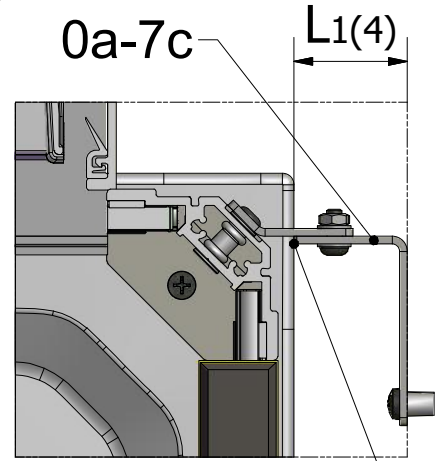
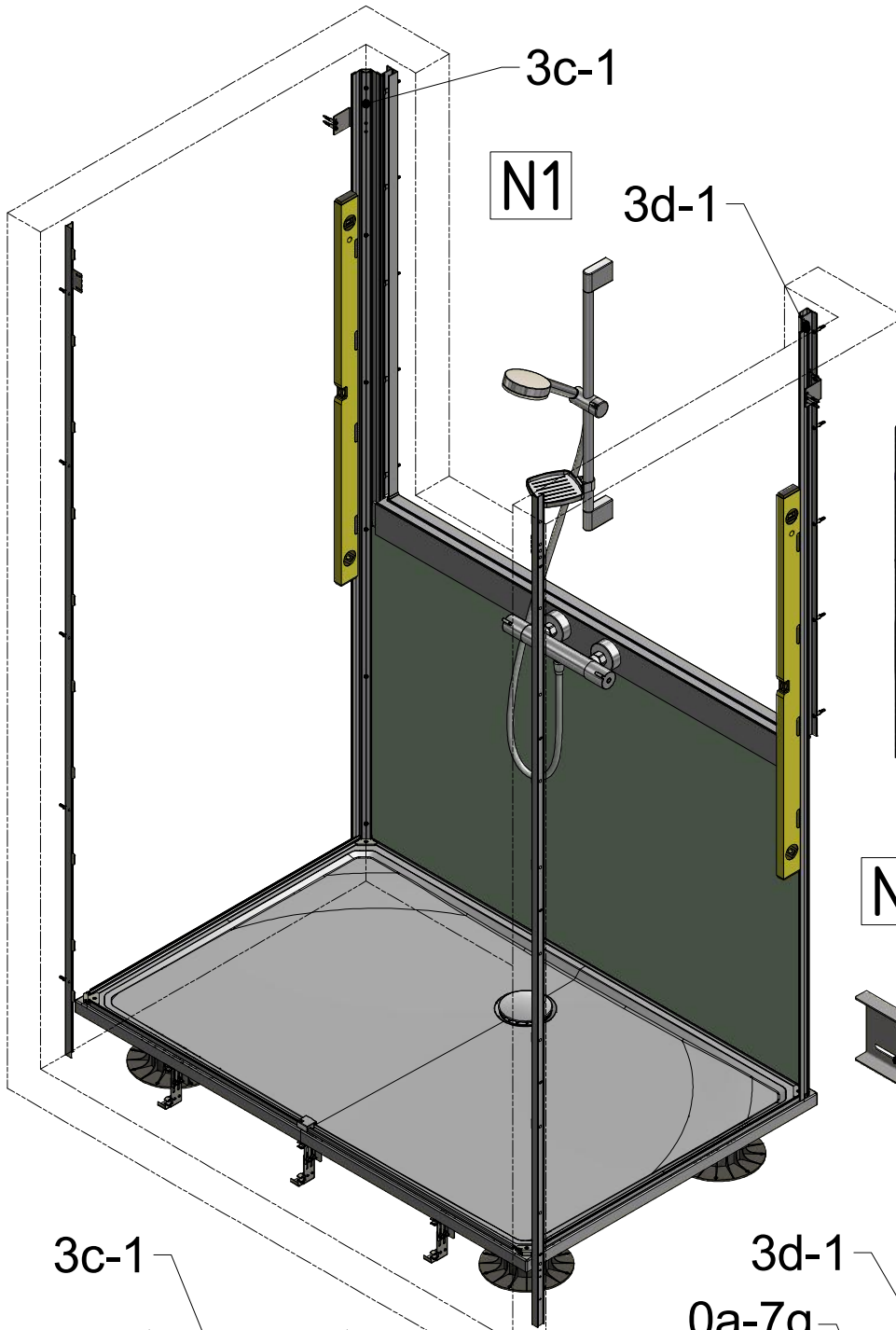
**SILICONE !!!**  
 Seal by silicone !!!



M3

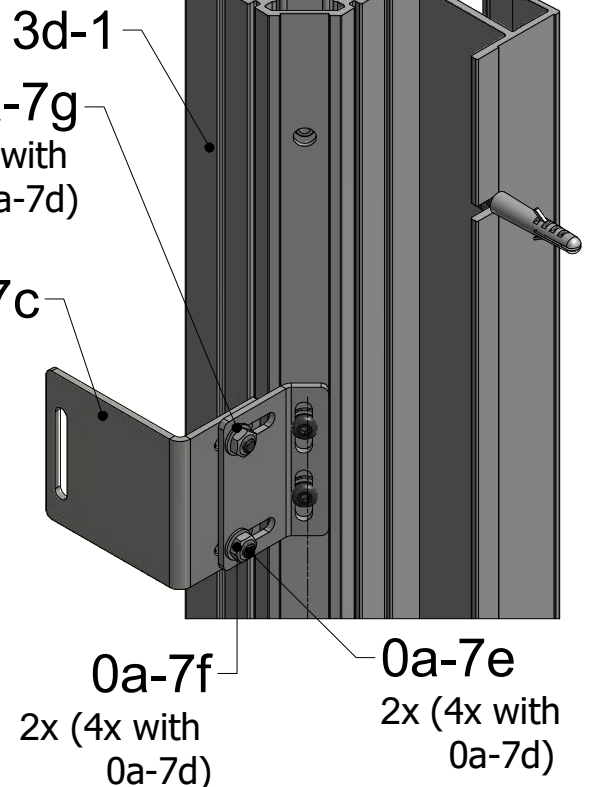
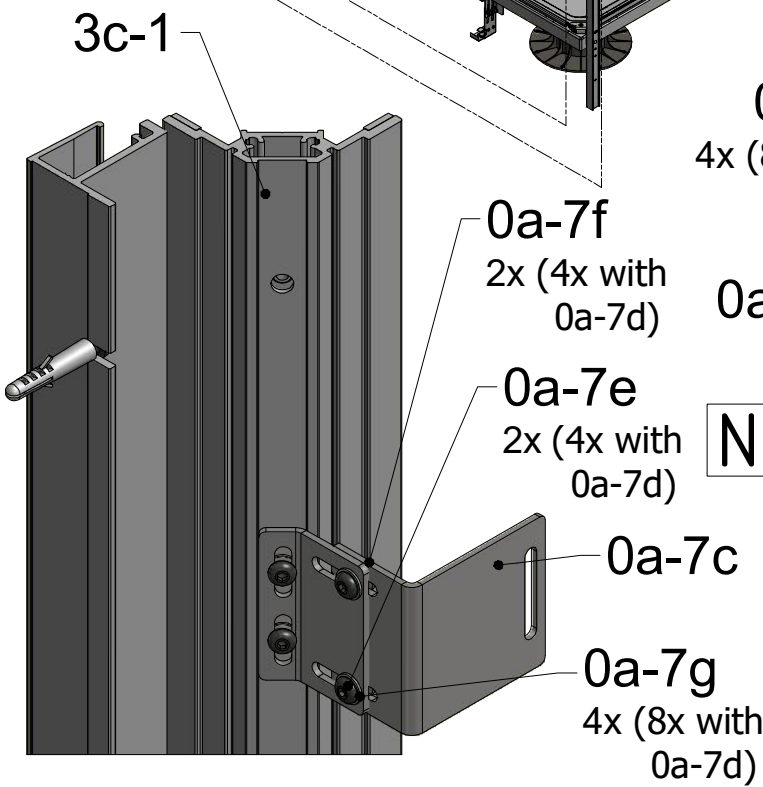
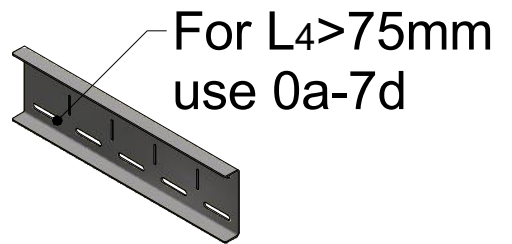


Parts to be used		
Qty.	Number	BOX
2	0a-7c	0a
0 (2)	0a-7d	0a
4+4(8)	0a-7g	0a
2+2(4)	0a-7e	0a
2+2(4)	0a-7f	0a



0a-7c (0a-7d)  
longer than L<sub>1</sub>(4)  
cut with a saw  
(angle gliders)

N2



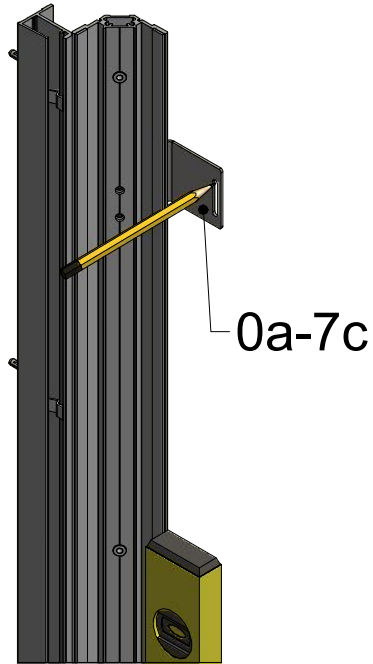
N3

Parts to be used		
Qty.	Number	BOX
2+2	0a-7h	0a
2+2	0a-7i	0a

Fix both profiles  
3d-1 and 3c-1

**N4**

Mark two holes

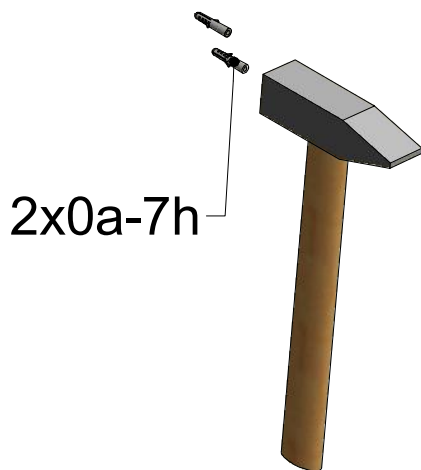


**N5**

Drill marked holes

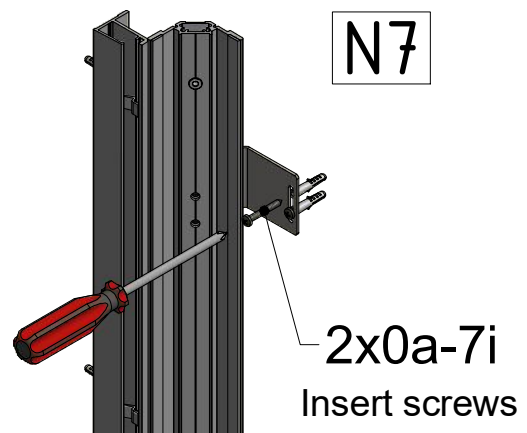


**N6**



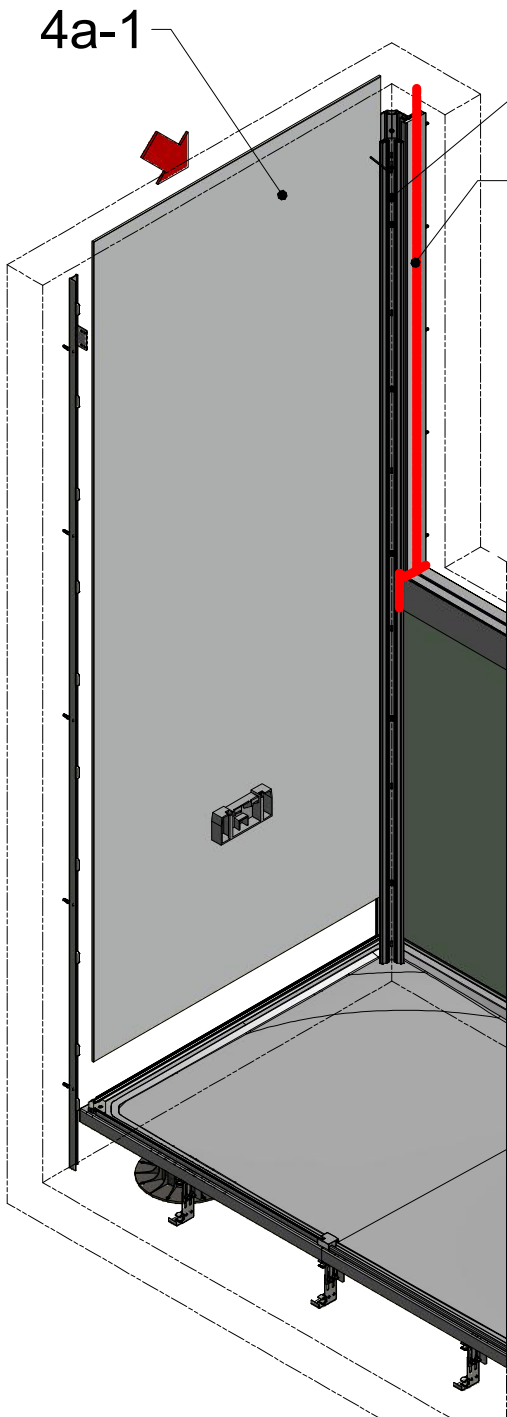
Insert plastic anchors

**N7**

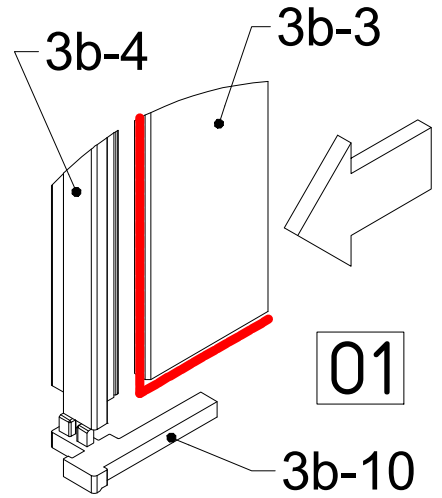


Insert screws

Parts to be used		
Qty.	Number	BOX
1	3b-4	3b
1	3b-3	3b
1	3b-10	3b
6	3b-2	3c



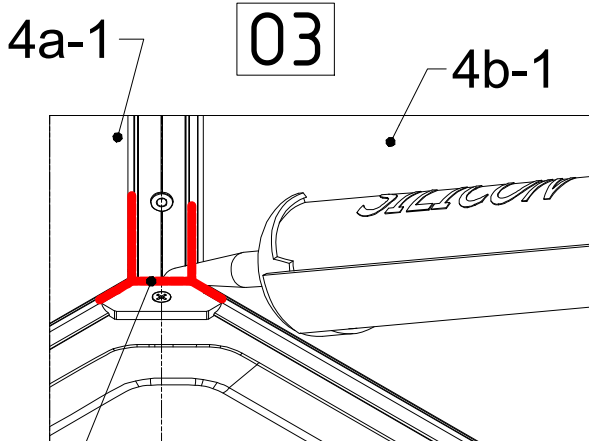
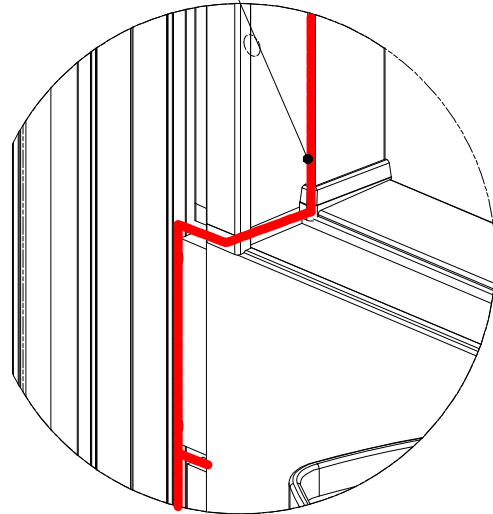
3c-1  
**SILICONE !!!**  
**Seal by silicone !!!**



01

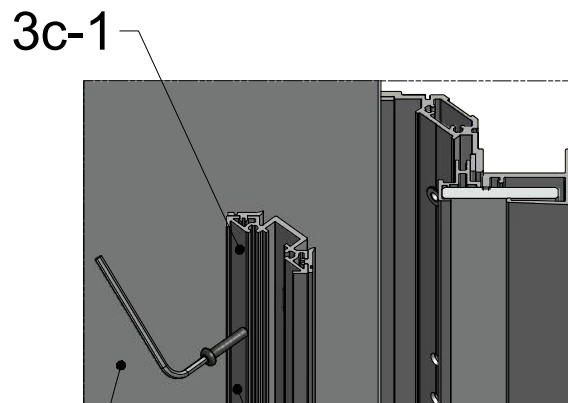
**SILICONE !!!**  
**Seal by silicone !!!**

02



03

**SILICONE !!!**  
**Seal by silicone !!!**



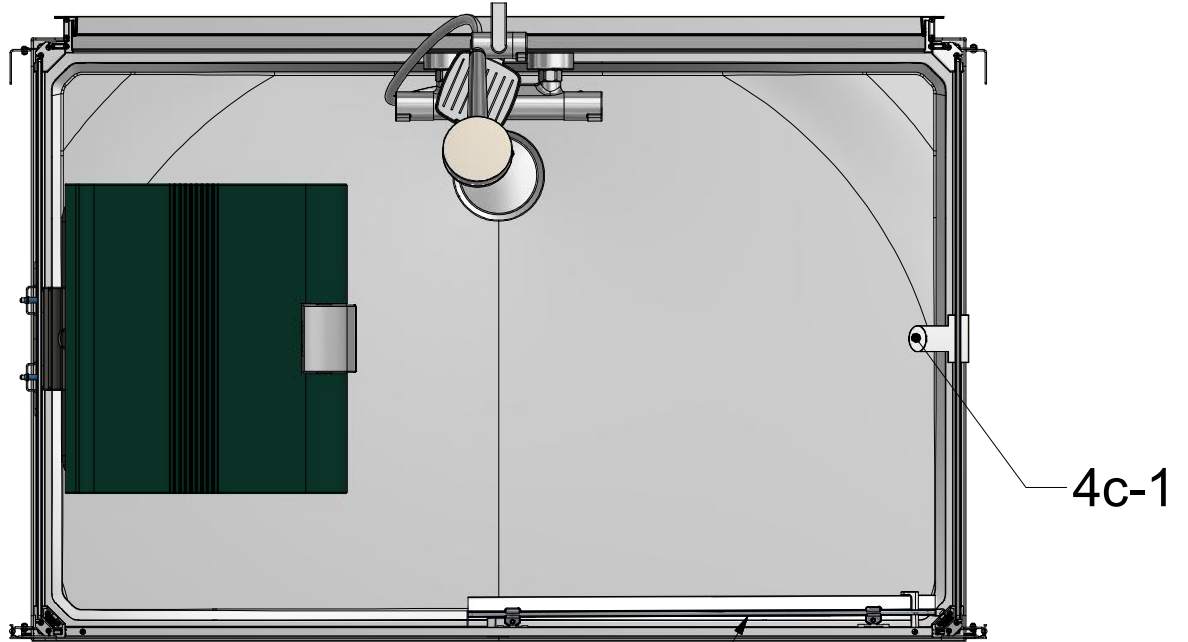
4a-1

04

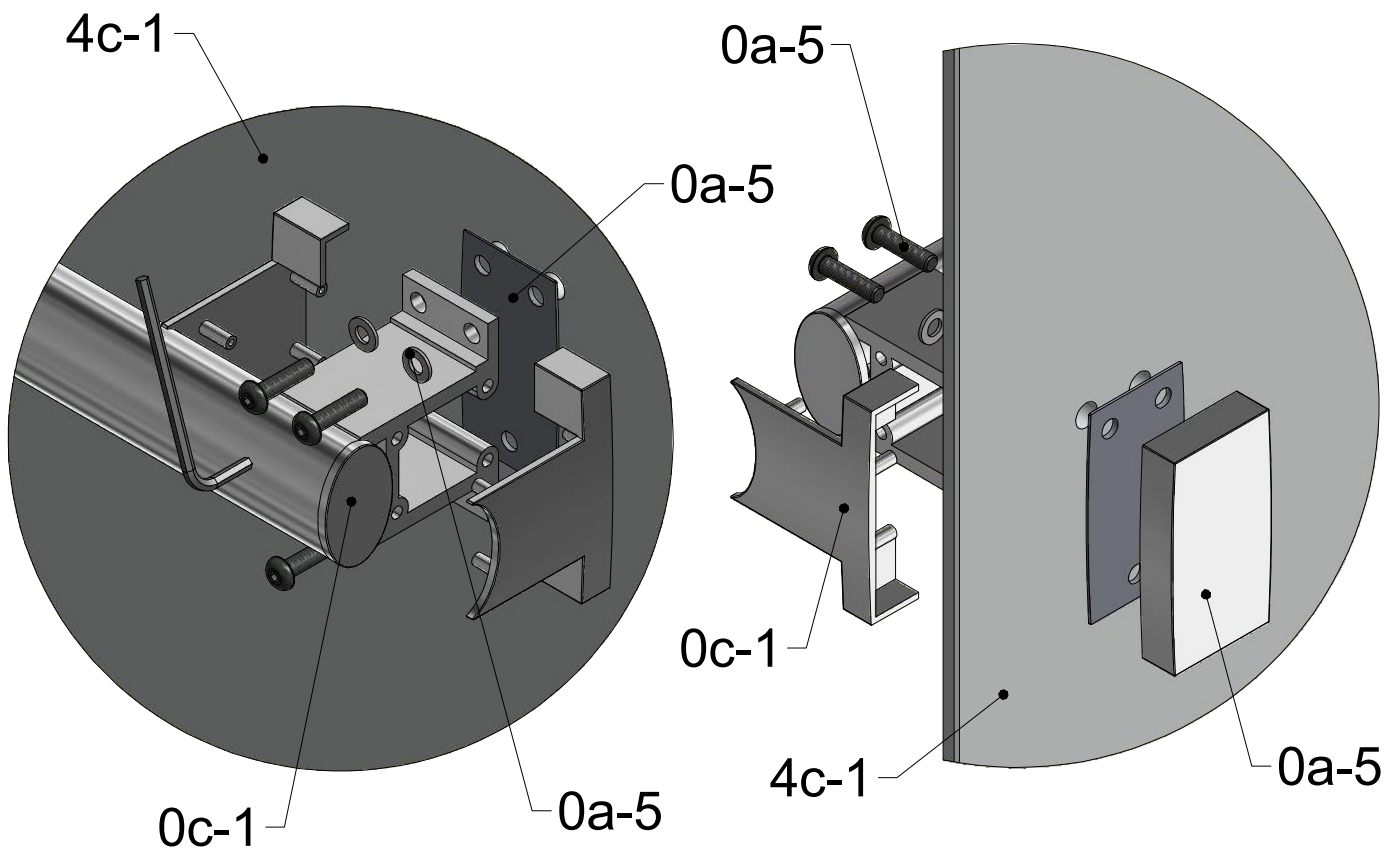
Mount profile and  
 tighten by 6x screws  
 (6x3c-2)

# FOR COMFORT VARIANT ONLY

Parts to be used		
Qty.	Number	BOX
1	0c-1	0c
1	0a-5	0a
1	4c-1	4c

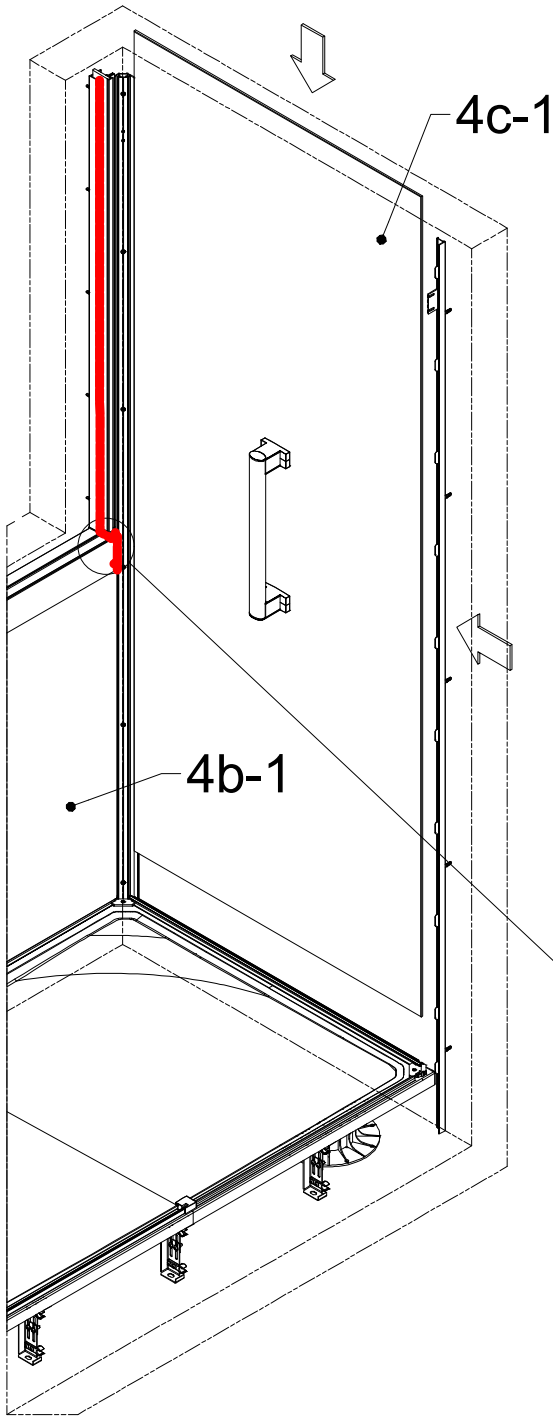


Right side door version (left version - opposite installation of the glass)

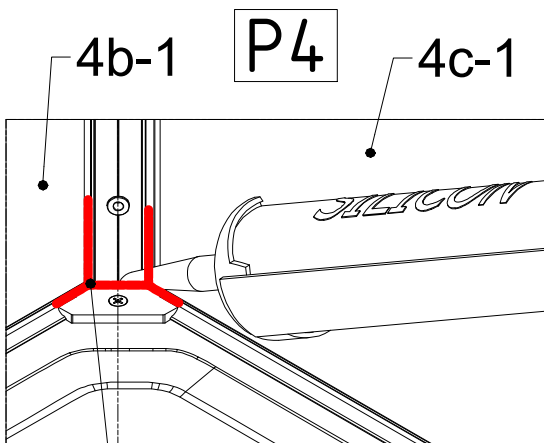
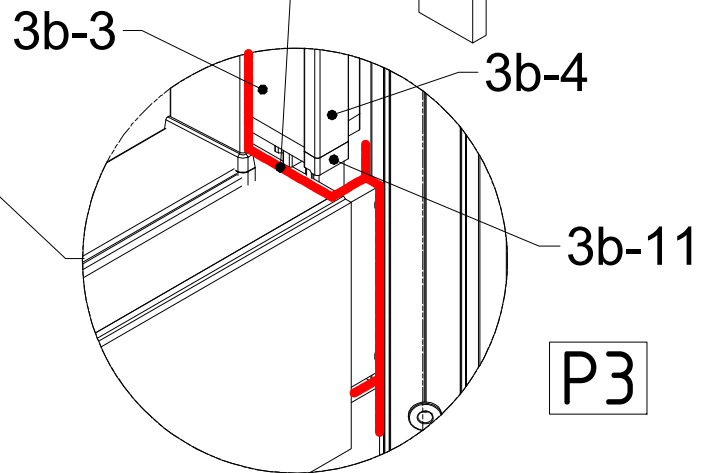
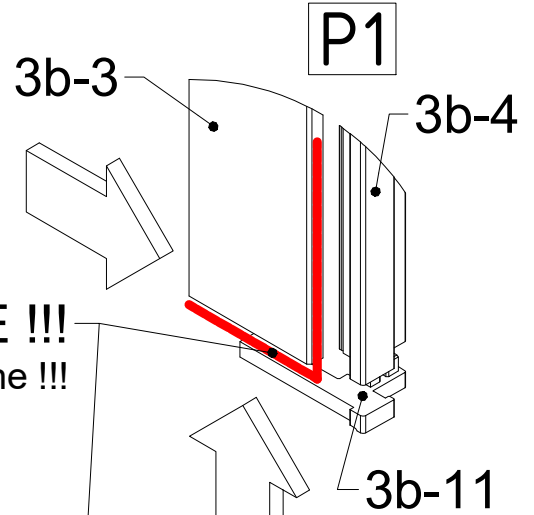




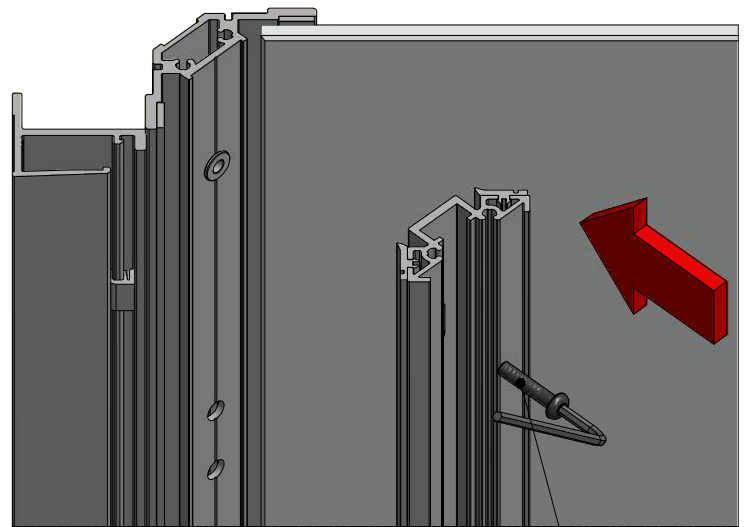
Parts to be used		
Qty.	Number	BOX
1	3b-4	3b
1	3b-3	3b
1	3b-11	3b
6	3d-3	3d



**SILICONE !!!**  
Seal by silicone !!!



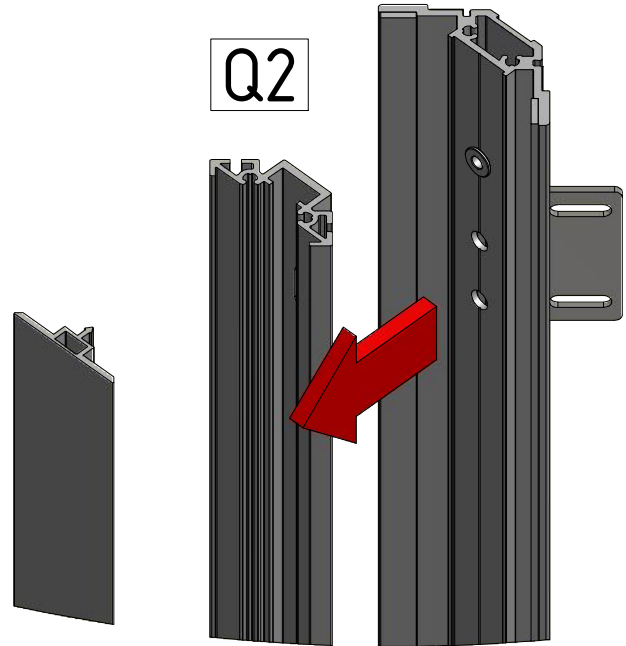
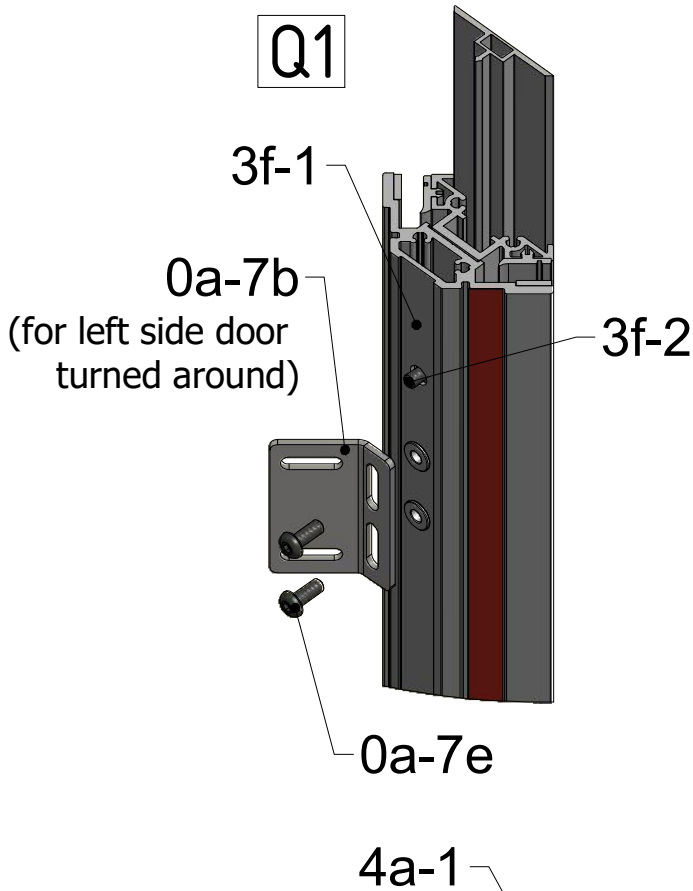
**SILICONE !!!**  
Seal by silicone !!!



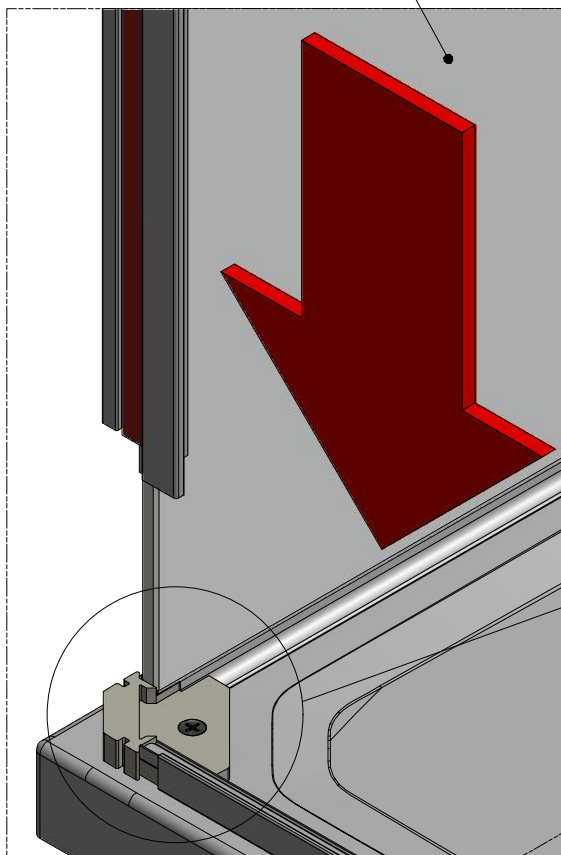
3d-3  
6x

# Installation of the third profile

Parts to be used		
Qty.	Number	BOX
1	3f-1	3f
1	0a-7b	0a
2	0a-7e	0a

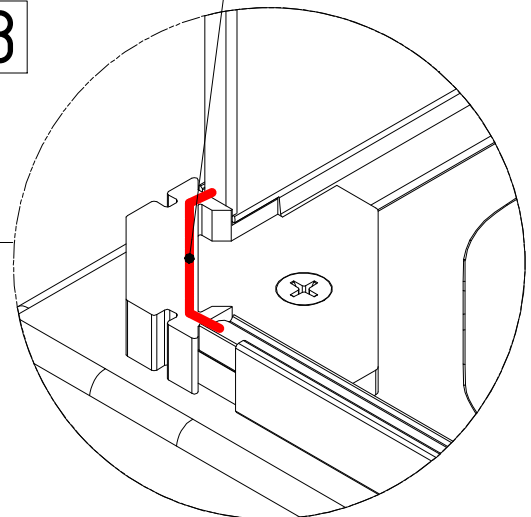


Remove cover and pressure profiles before installation  
- unscrew 2x 3f-2

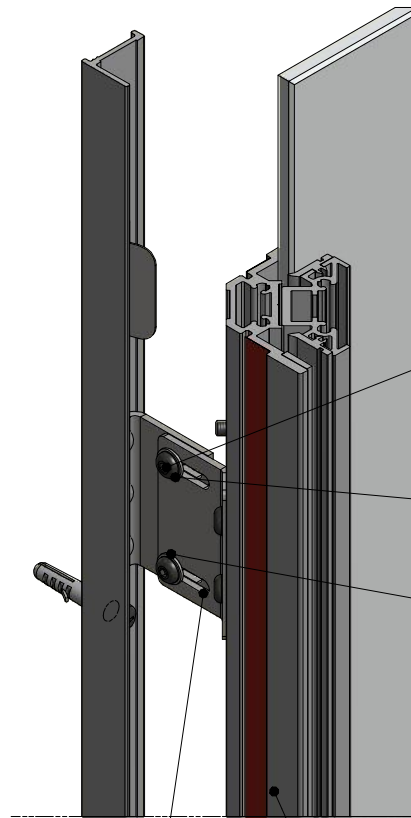
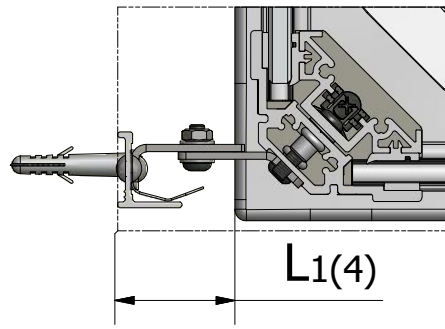


**SILICONE !!!**  
Seal by silicone !!!

**Q3**



Parts to be used		
Qty.	Number	BOX
1	4d-1	4d
1	3f-1	3f
0 (1)	0a-7d	0a
2 (4)	0a-7e	0a
2 (4)	0a-7f	0a
4 (8)	0a-7g	0a

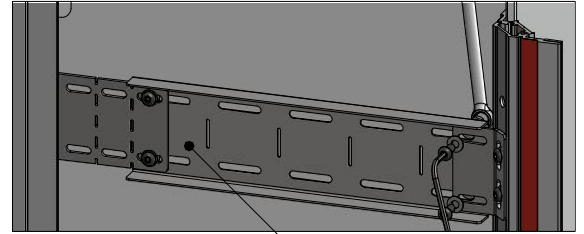


0a-7f  
2x (4x with  
0a-7d)

Q4

0a-7g  
4x (8x with  
0a-7d)

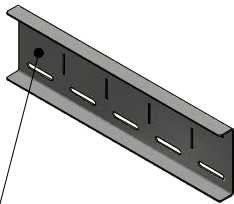
0a-7e  
2x (4x with  
0a-7d)



\*0a-7d

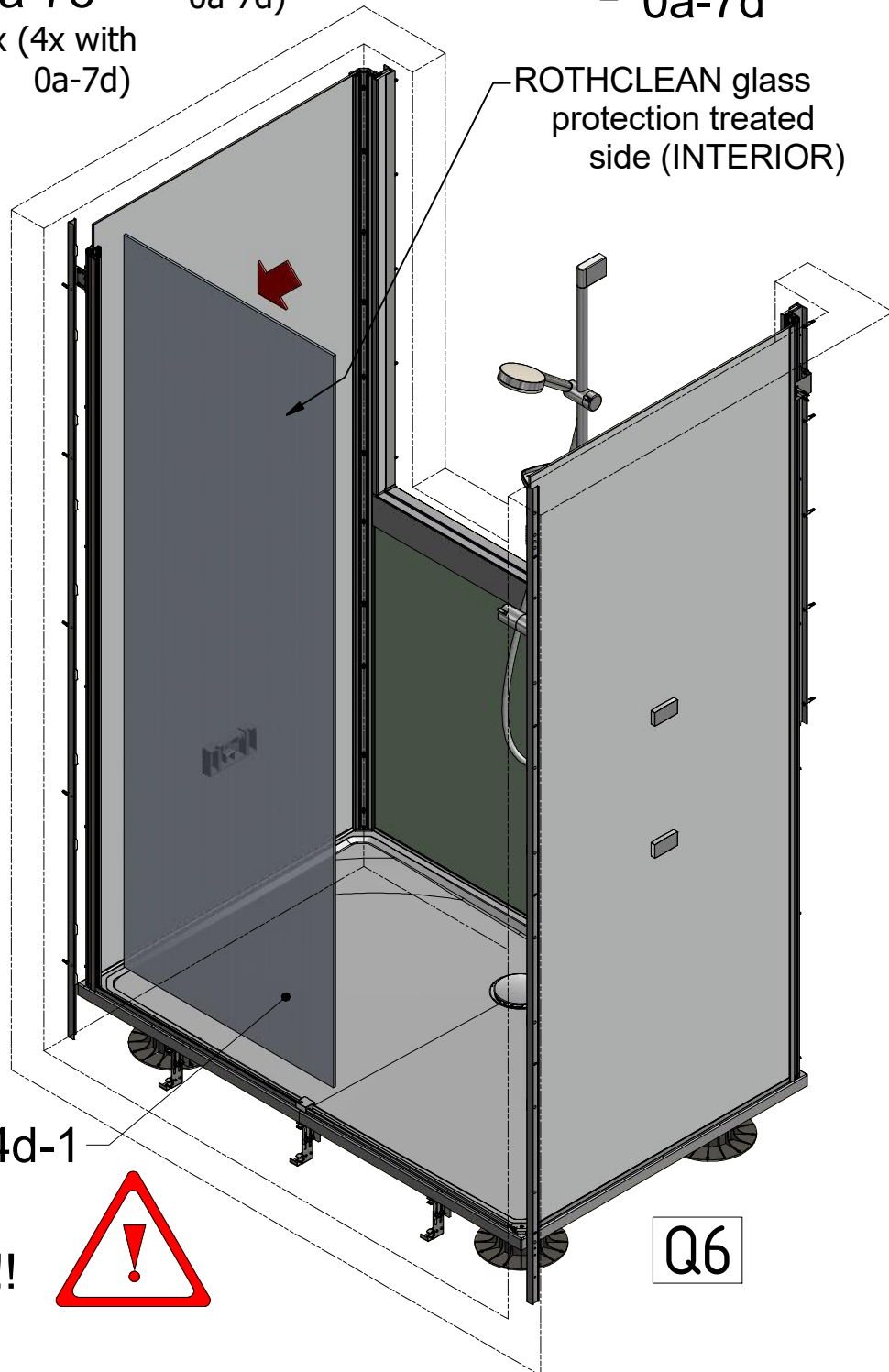
0a-7b

3f-1



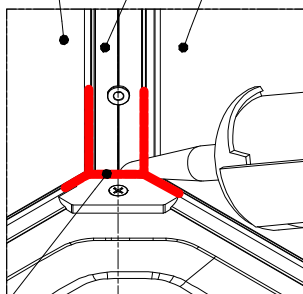
\*For  $L_{1(4)} > 75\text{mm}$   
use 0a-7d

ROTHCLEAN glass  
protection treated  
side (INTERIOR)



Q5

4d-1  
3f-1  
4a-1

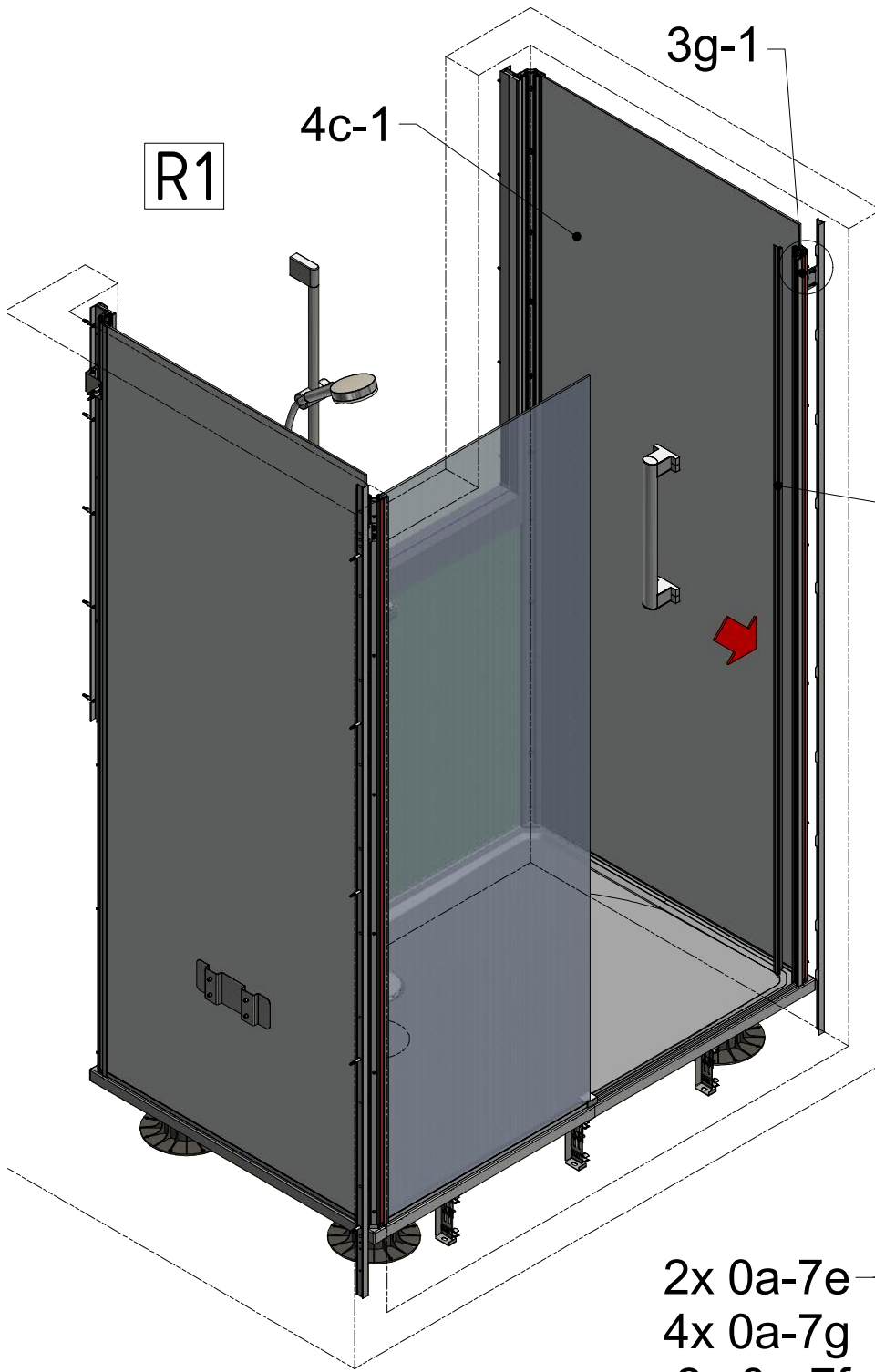


**SILICONE !!!**  
**Seal by silicone !!!**



4d-1

Q6



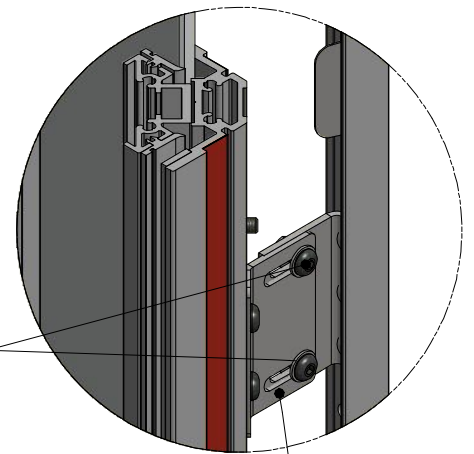
Parts to be used		
Qty.	Number	BOX
1	3g-1	3g
6	3g-2	3g
1	3a-6	3a
1	0a-7b	0a
0 (1)	0a-7d	0a
2 (4)	0a-7e	0a
4 (8)	0a-7g	0a
2 (4)	0a-7f	0a

3a-6 **R2**

Assembly and seal profile 3f-1 a same way as previous profile

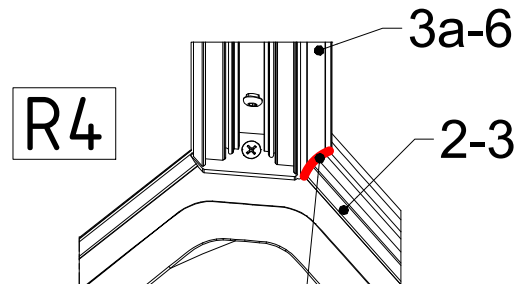
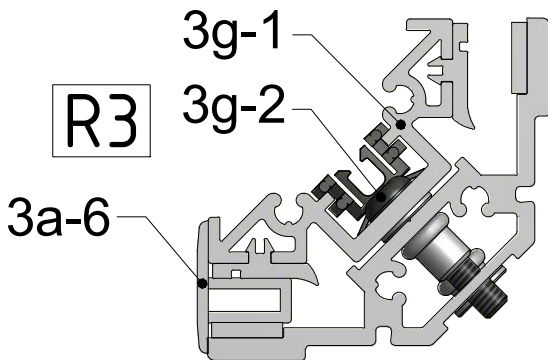
Follow the instructions in the manual

**Q1 - Q5**

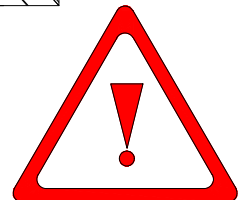


2x 0a-7e  
4x 0a-7g  
2x 0a-7f

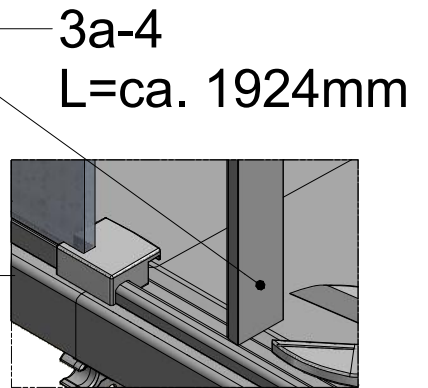
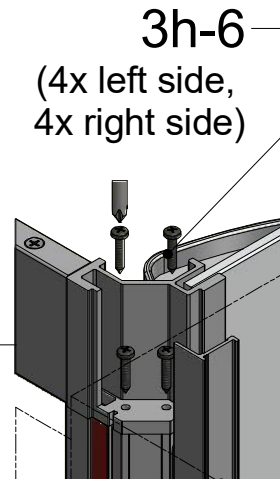
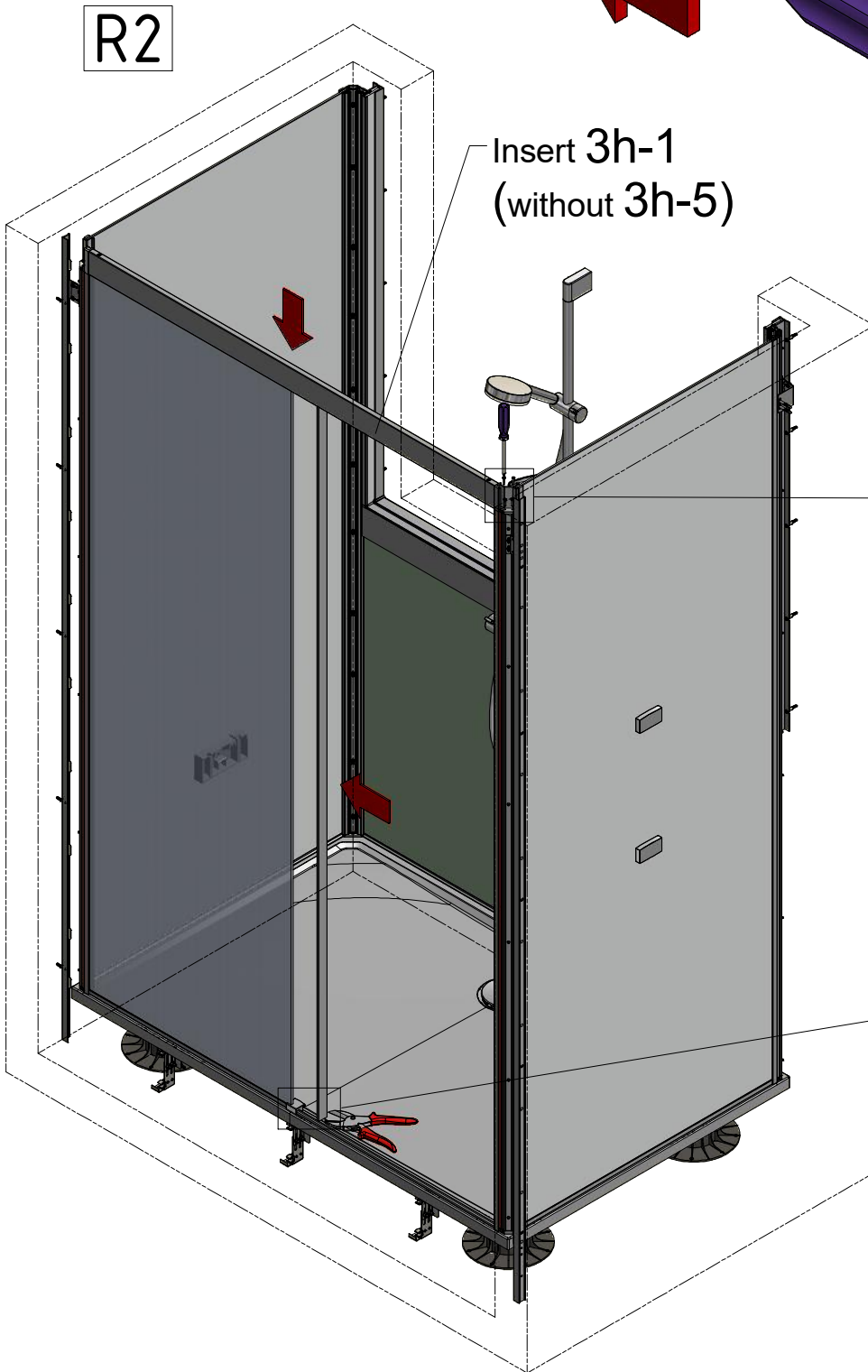
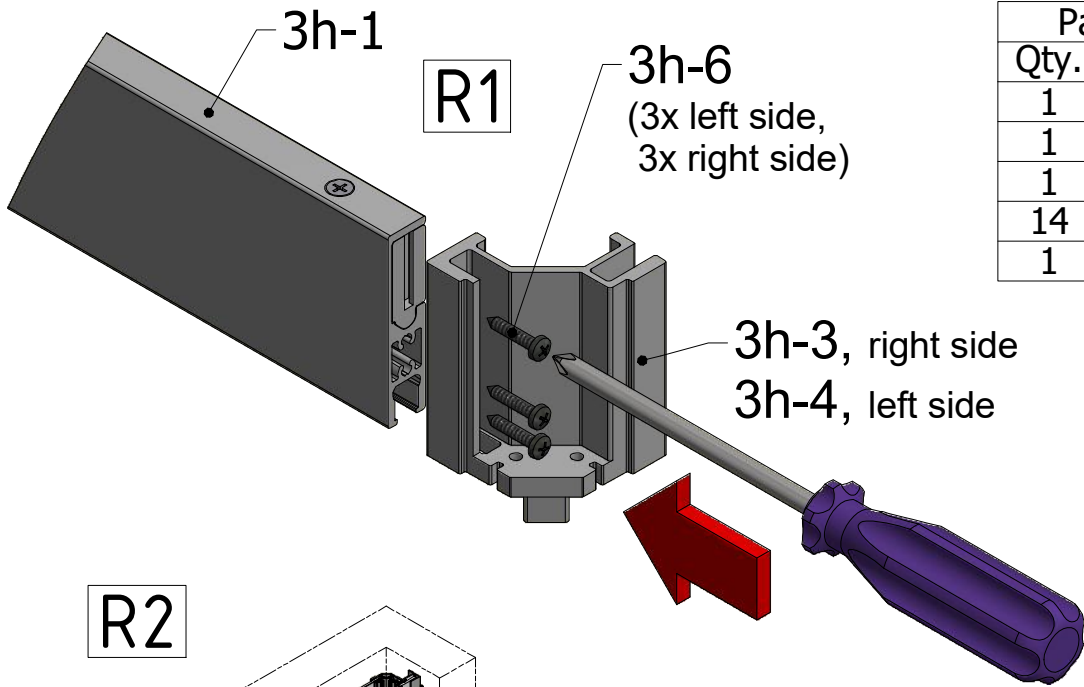
0a-7b

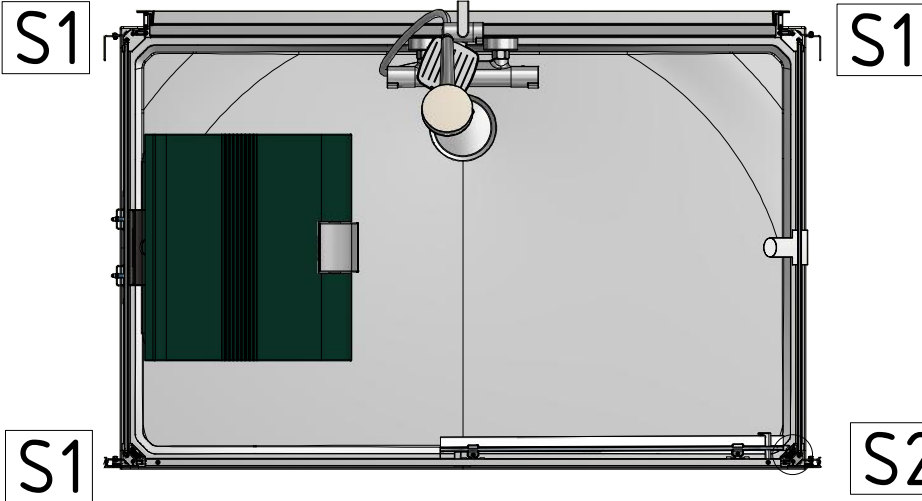


**SILICONE !!!**  
**Seal by silicone !!!**

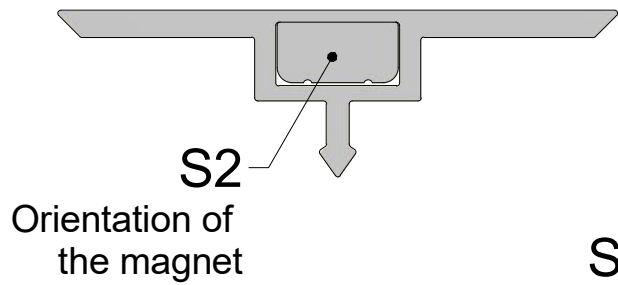


Parts to be used		
Qty.	Number	BOX
1	3h-1	3h
1	3h-3	3h
1	3h-4	3h
14	3h-6	3h
1	3a-4	3a

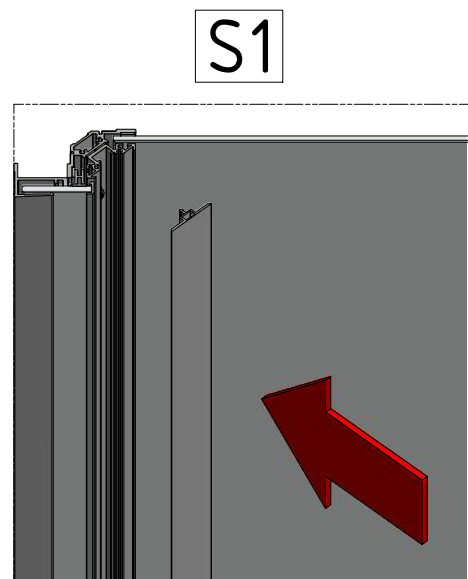
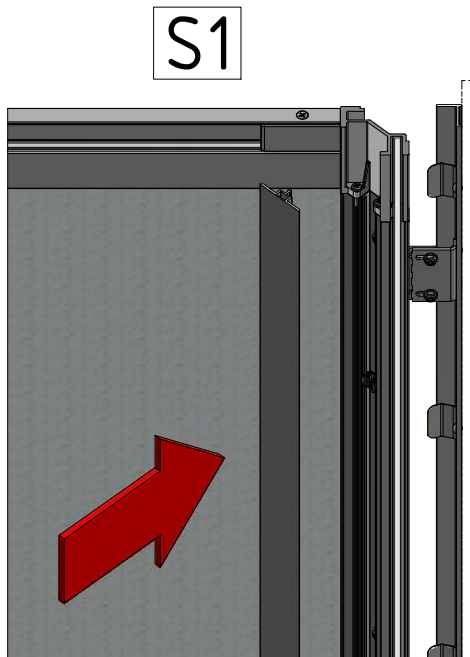
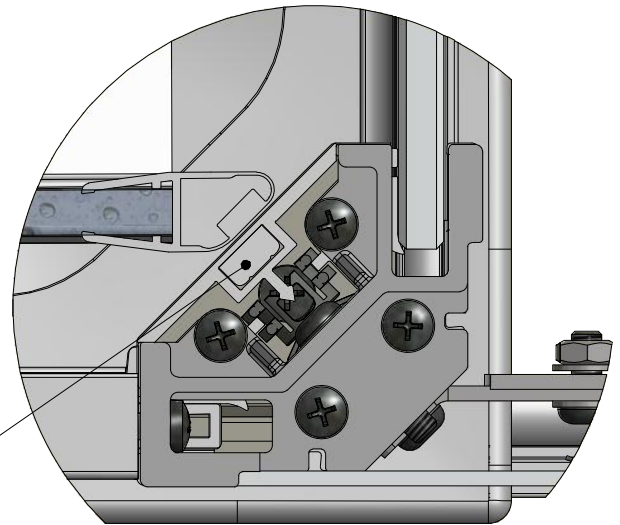




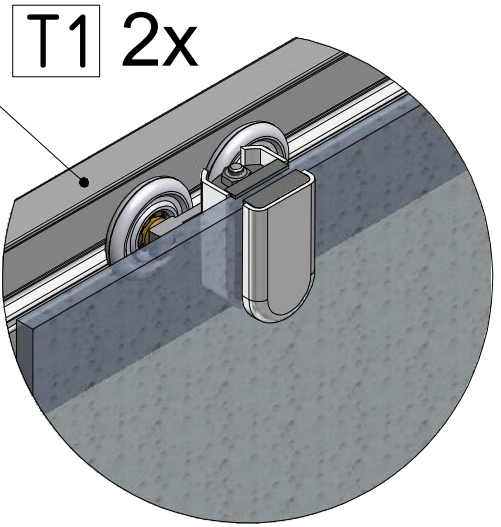
Parts to be used		
Qty.	Number	BOX
1	3a-5	3a



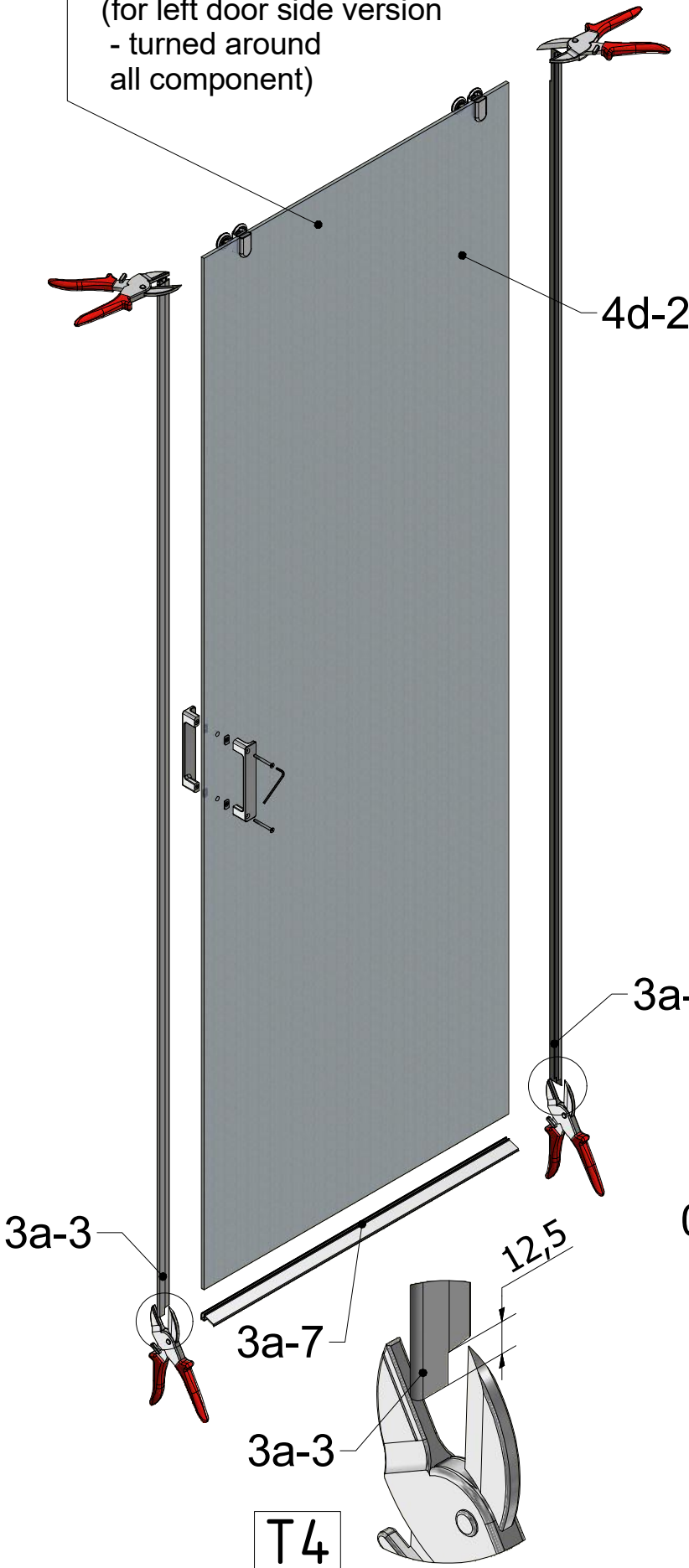
**S2**  
Insert the magnet 3a-5 for the door



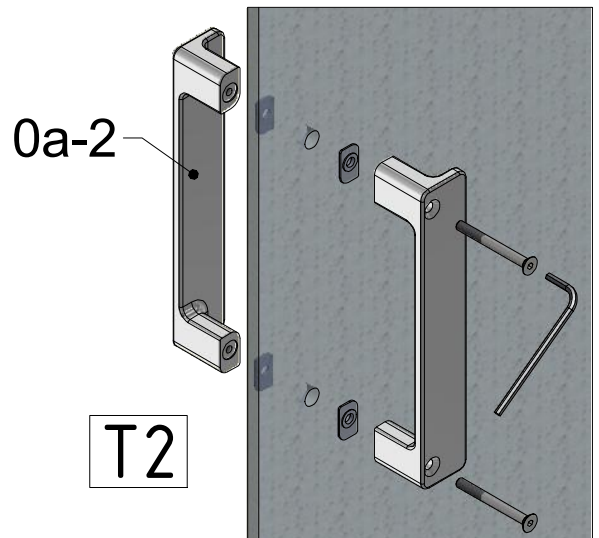
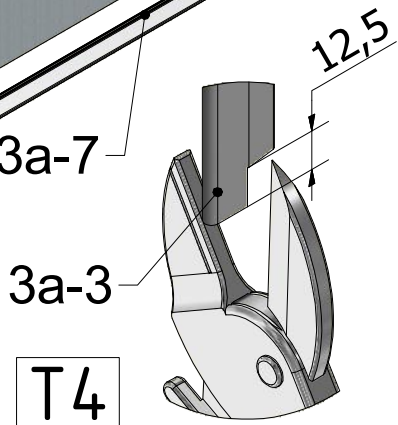
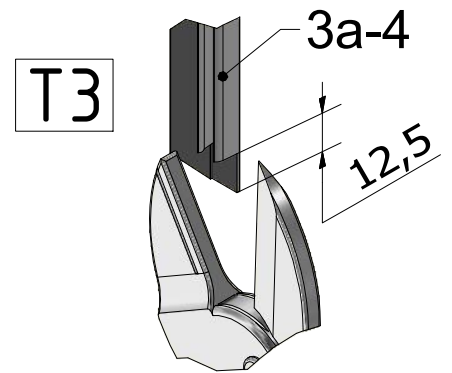
Insert the rollers 3g-2 into the rail frame 3g-1 at first

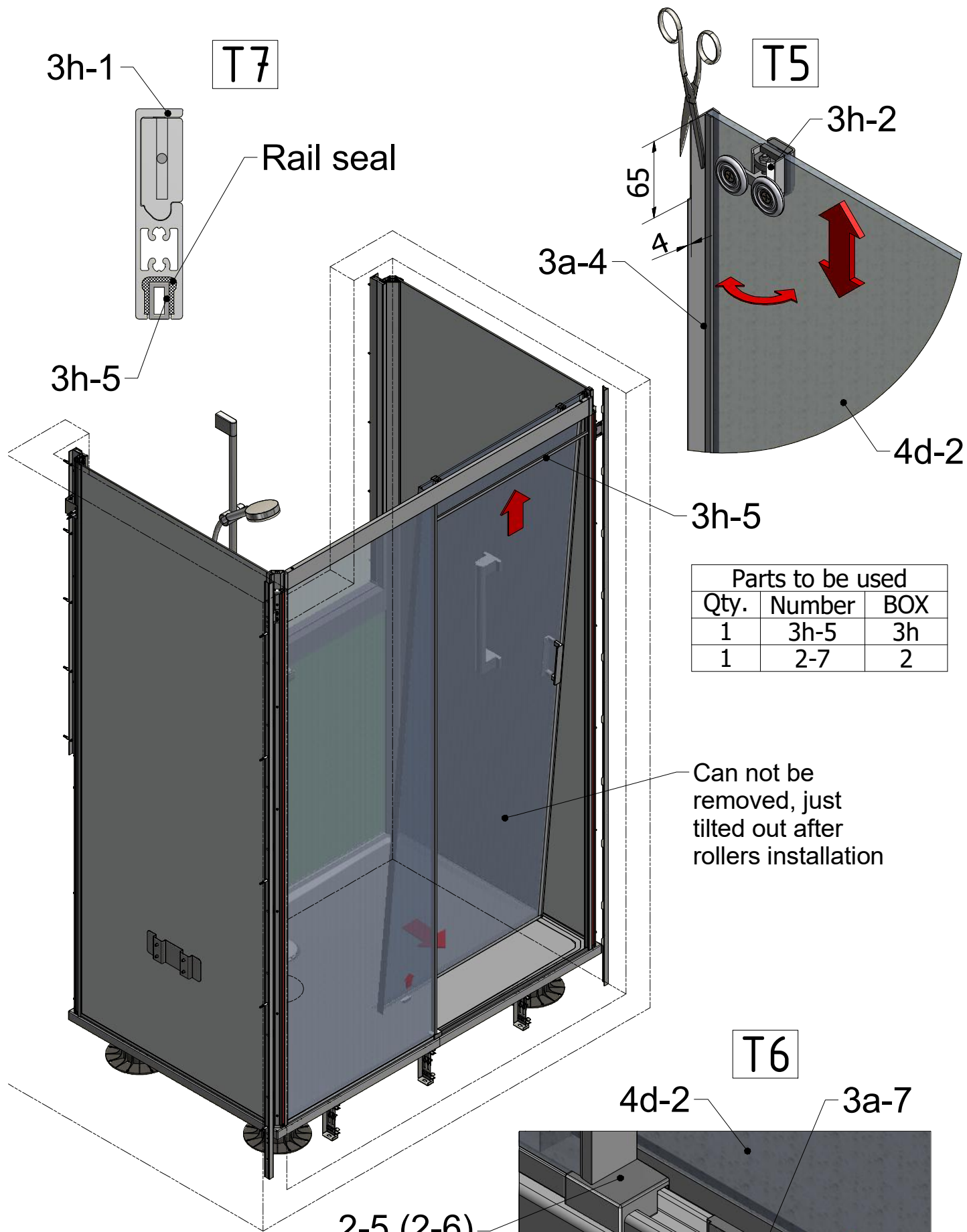


Right side door version  
(for left door side version  
- turned around  
all component)

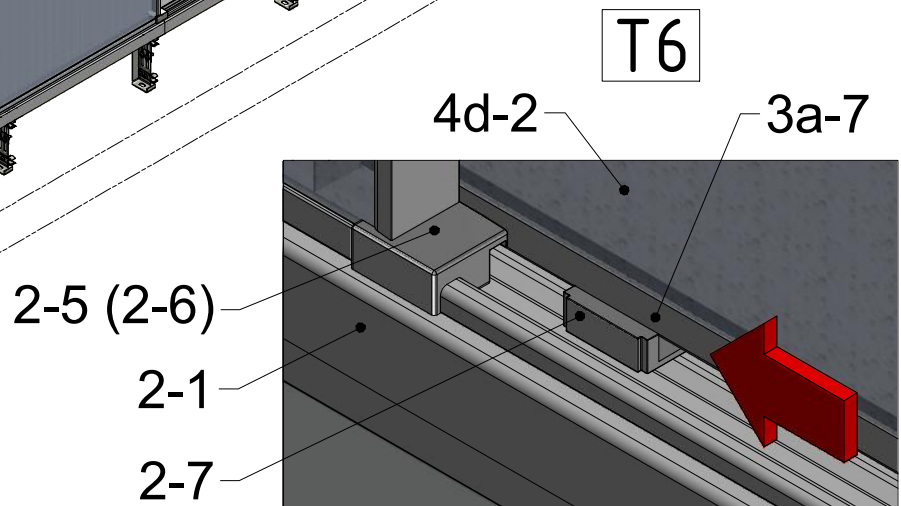


Parts to be used		
Qty.	Number	BOX
1	4d-2	4d
1	3a-3	3a
1	3a-4	3a
1	3a-7	3a
1	0a-2	0a





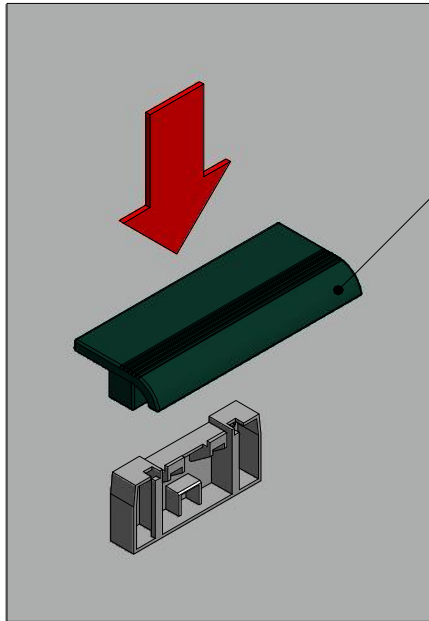
Parts to be used		
Qty.	Number	BOX
1	3h-5	3h
1	2-7	2





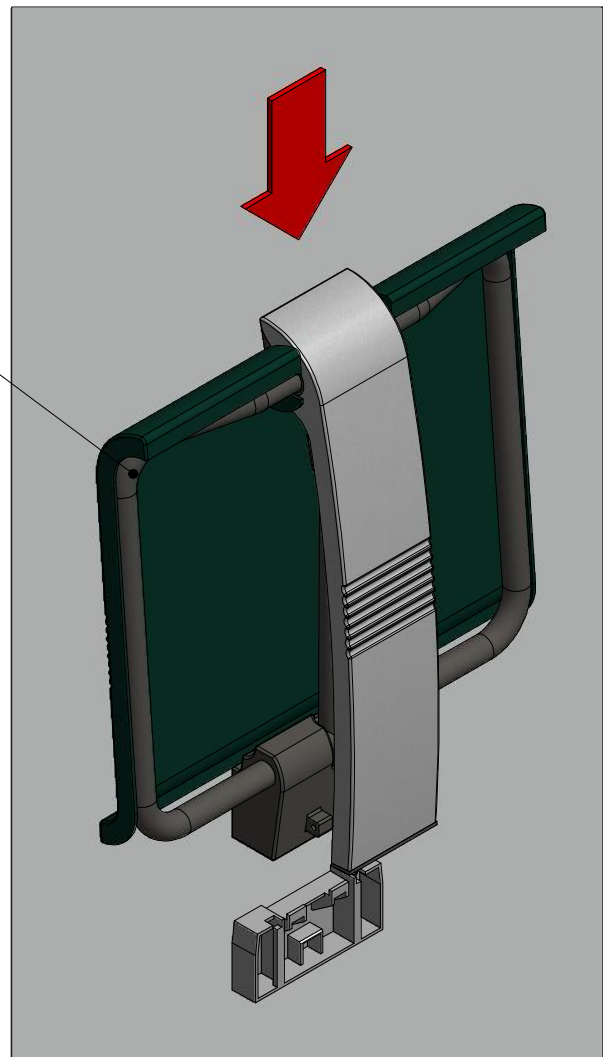
# FOR COMFORT VARIANT ONLY

Parts to be used		
Qty.	Number	BOX
1	0b-2	0b



**0b-2**

Shelf - standard accessories for COMFORT version. Lock with red plastic part after installation



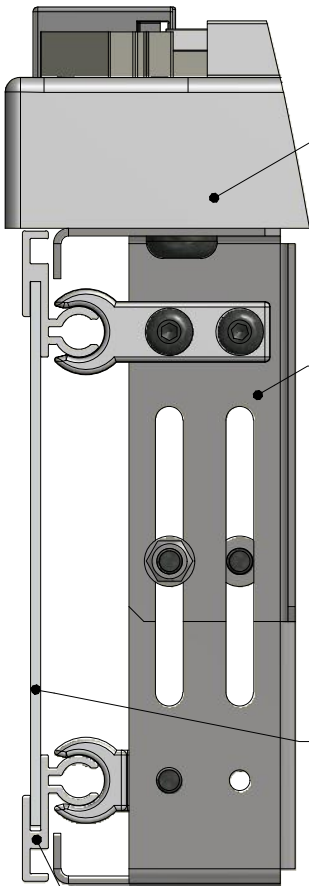
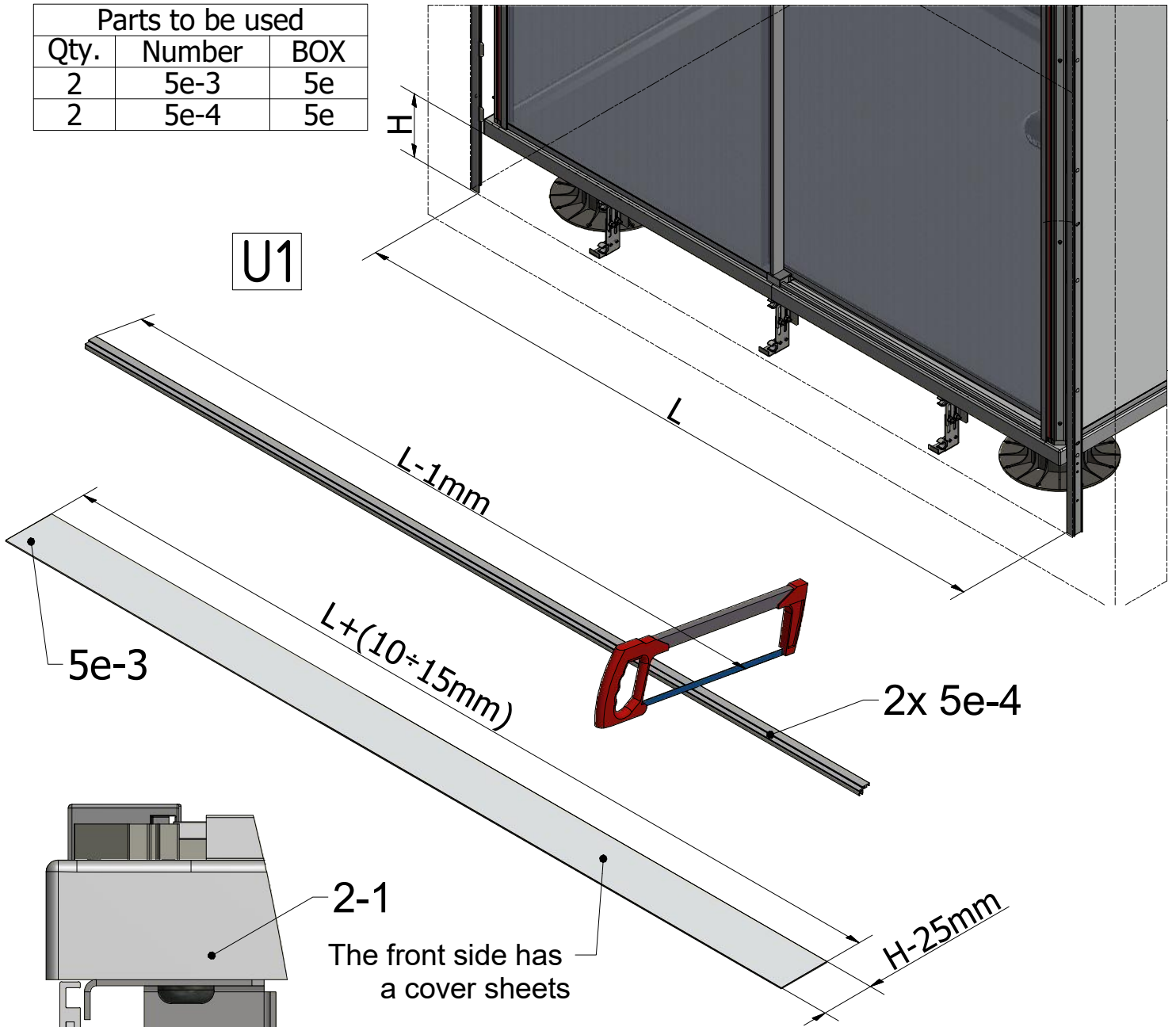
Seat - optional accessory for COMFORT version. Lock with red plastic part after installation

**MA7004 - ANTHRACITE**

**MA7003 - WHITE**

Parts to be used		
Qty.	Number	BOX
2	5e-3	5e
2	5e-4	5e

U1



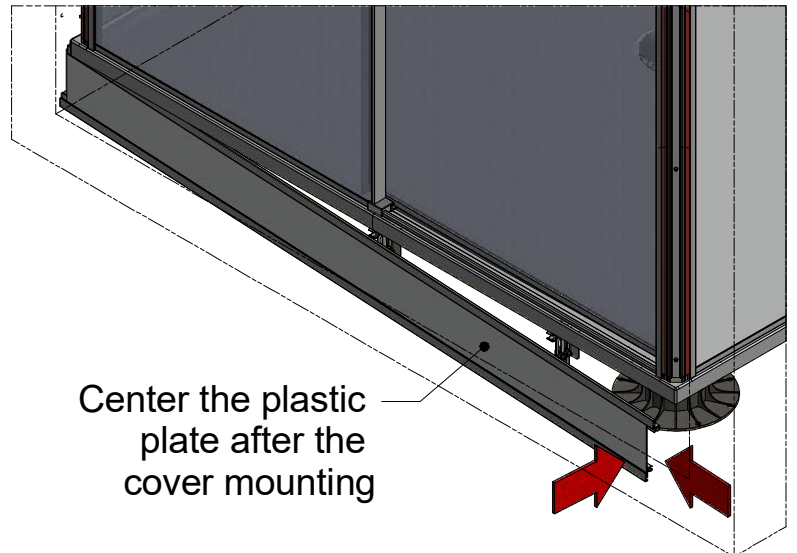
2-1  
The front side has  
a cover sheets

0a-6a

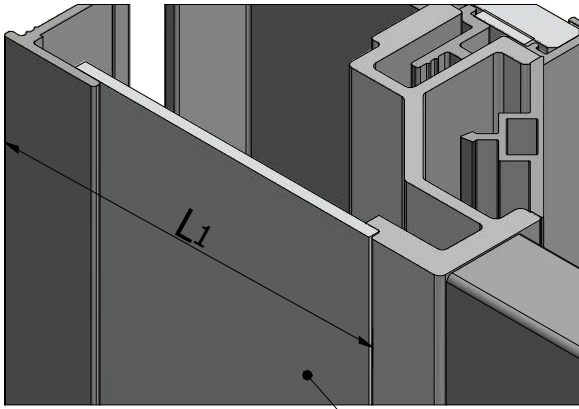
5e-3

5e-4

U2

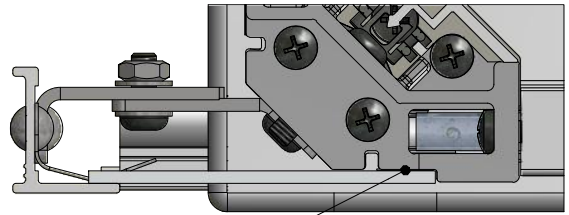


Center the plastic  
plate after the  
cover mounting

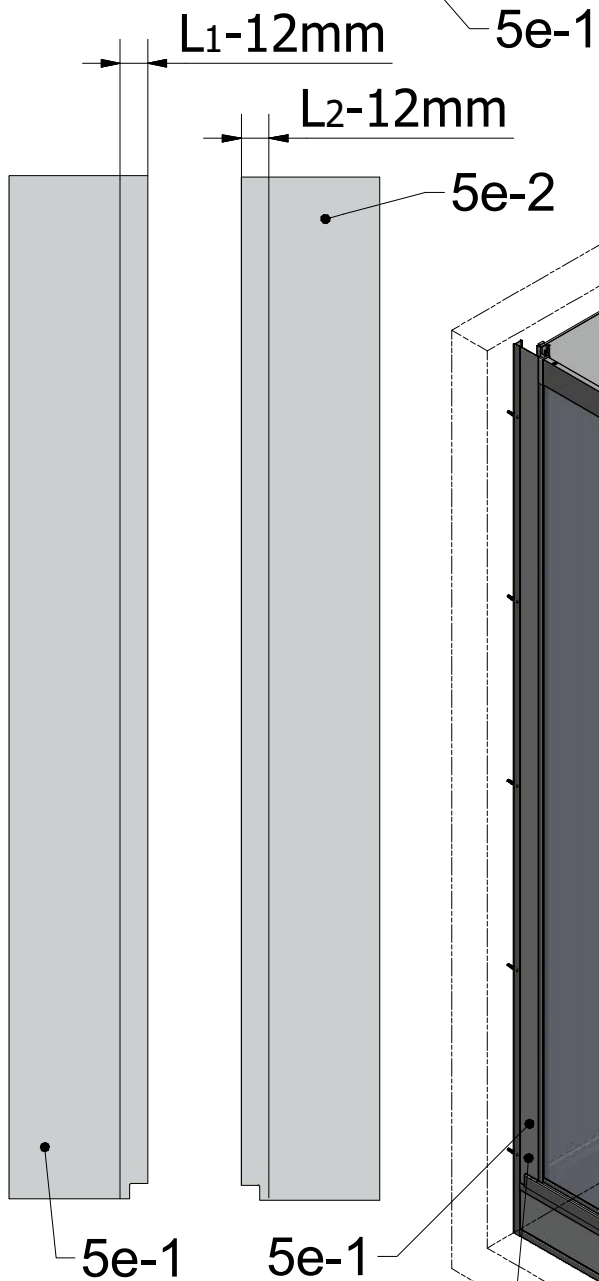


Parts to be used		
Qty.	Number	BOX
1	5e-1	5e
1	5e-2	5e

U3

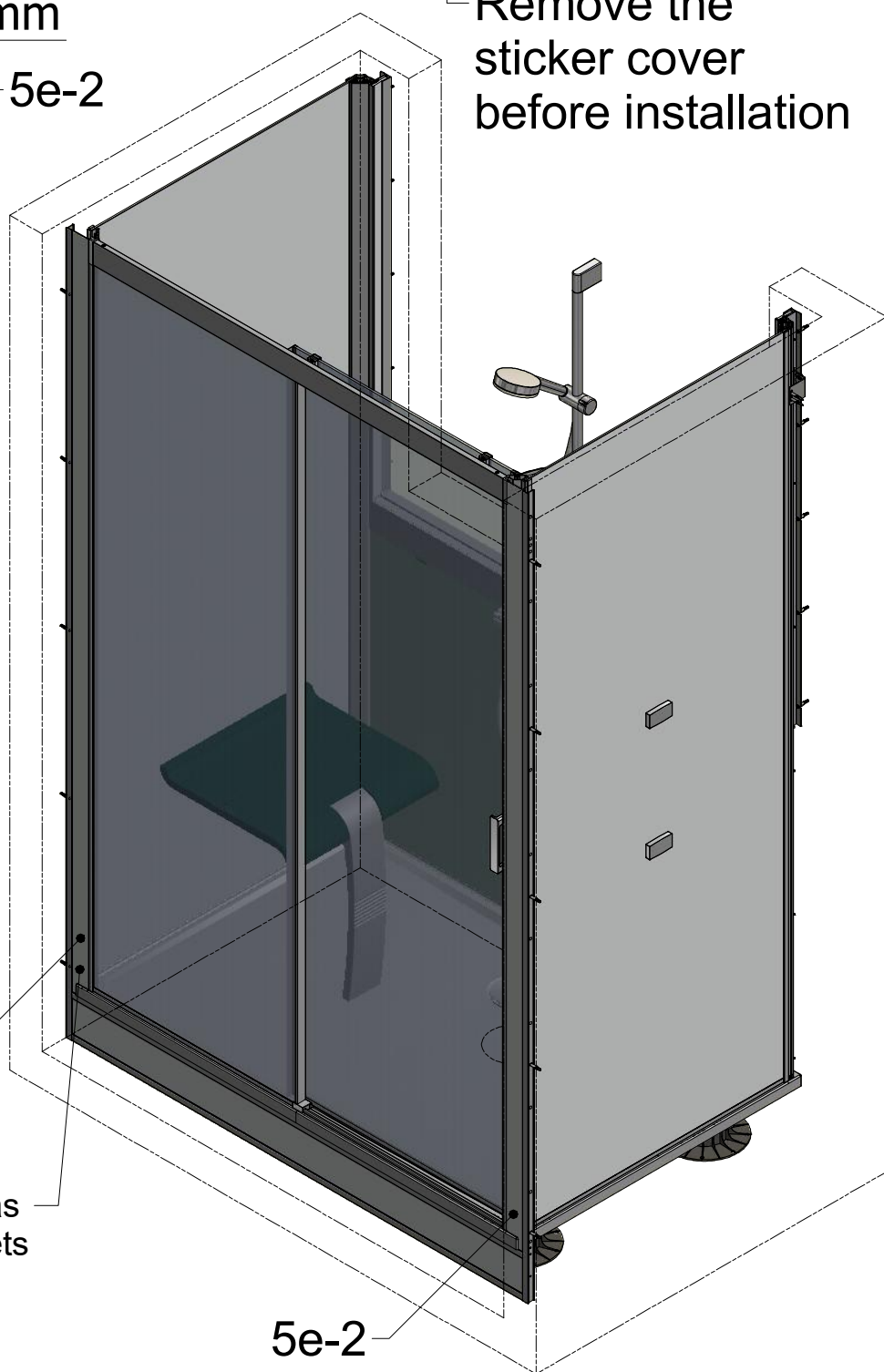


Remove the sticker cover before installation



The front side has a cover sheets

5e-2



Parts to be used		
Qty.	Number	BOX
1	3b-12	3b
1	3b-13	3b
1	3b-14	3b
1	3b-15	3b
6	3b-16	3b
1	3c-2	3c
2	3c-4	3c
1	3d-2	3d
2	3d-4	3d

